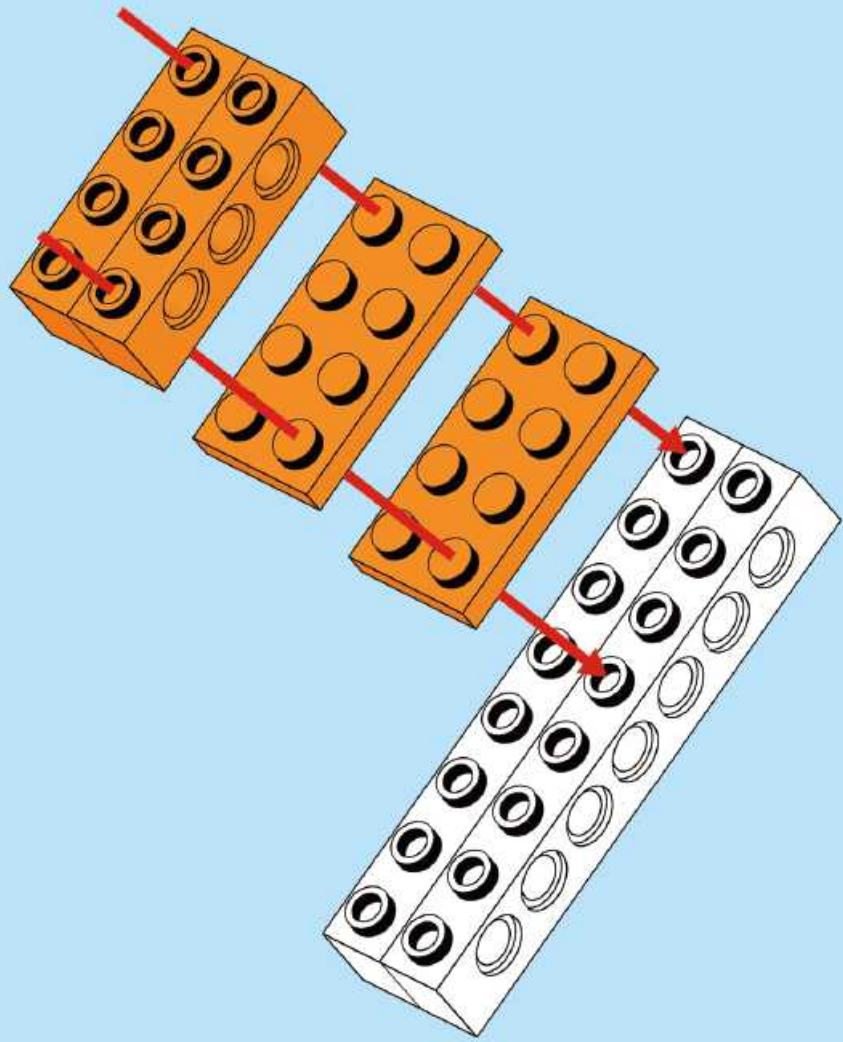
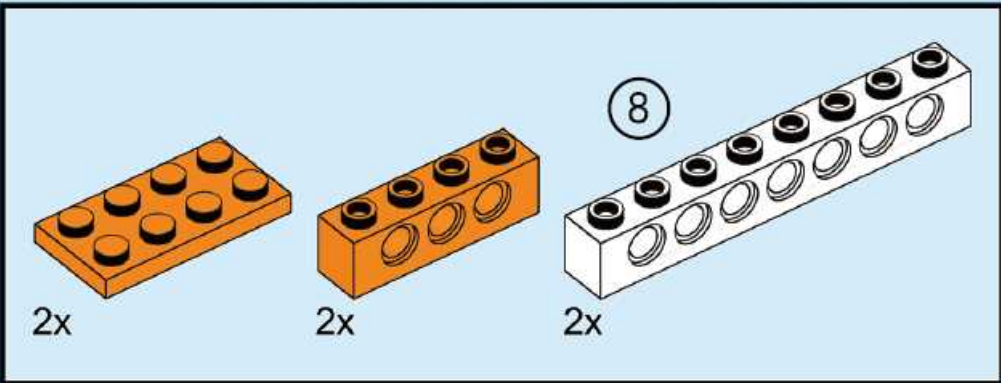


0

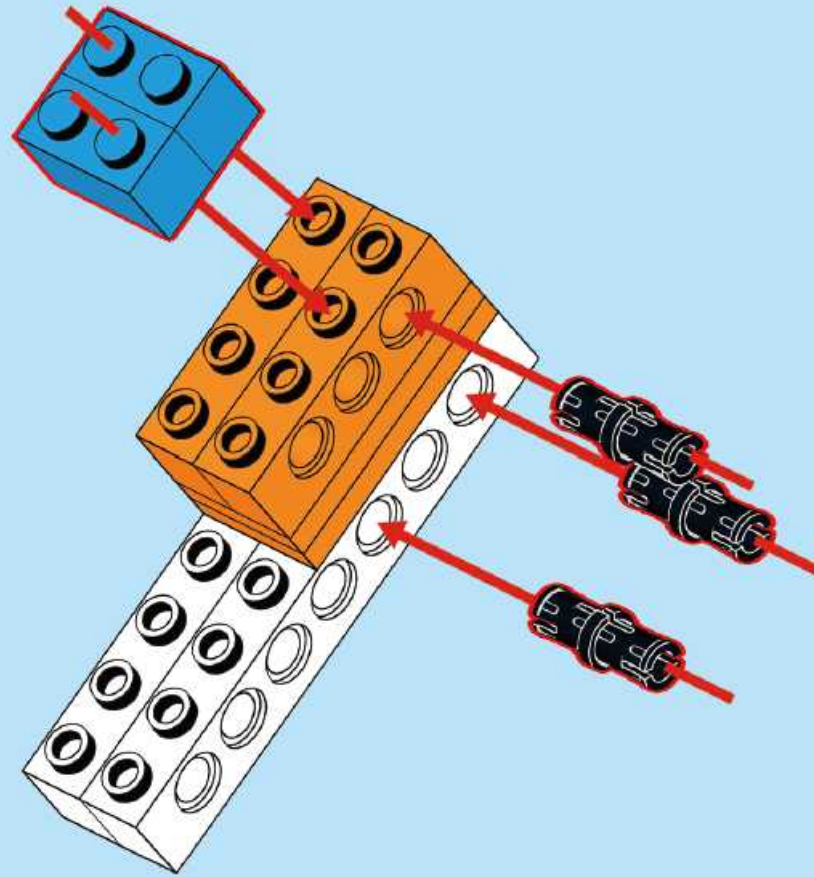
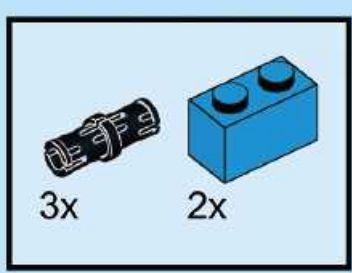


**AA x3**

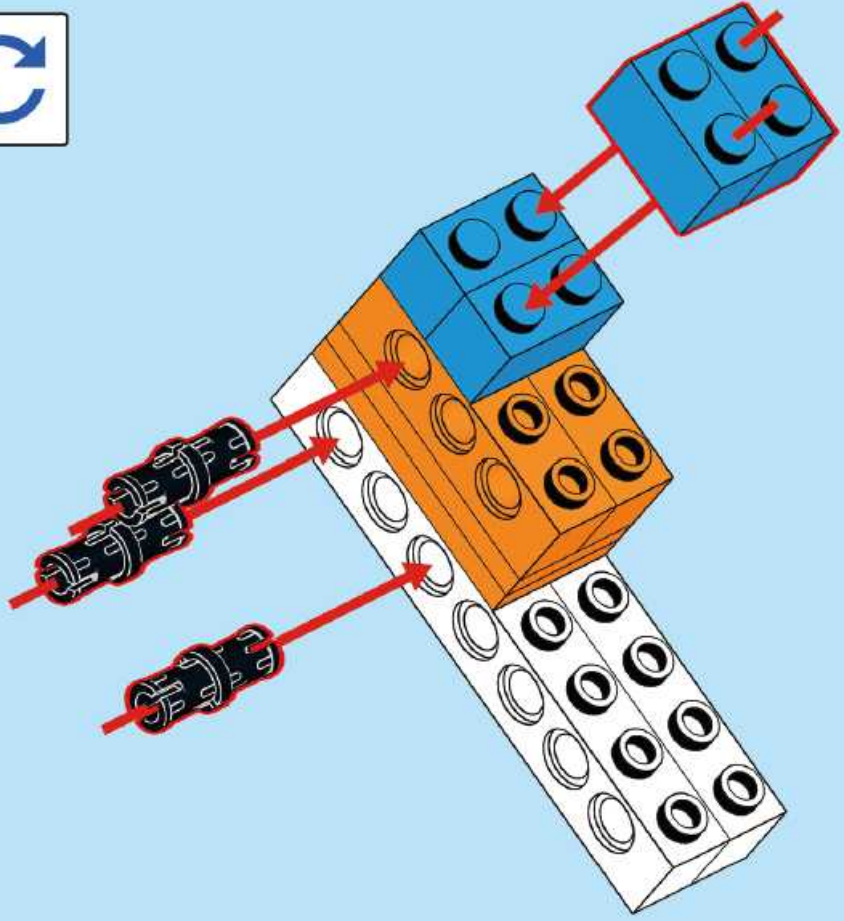
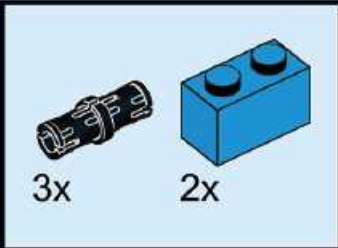
# 1



# 2

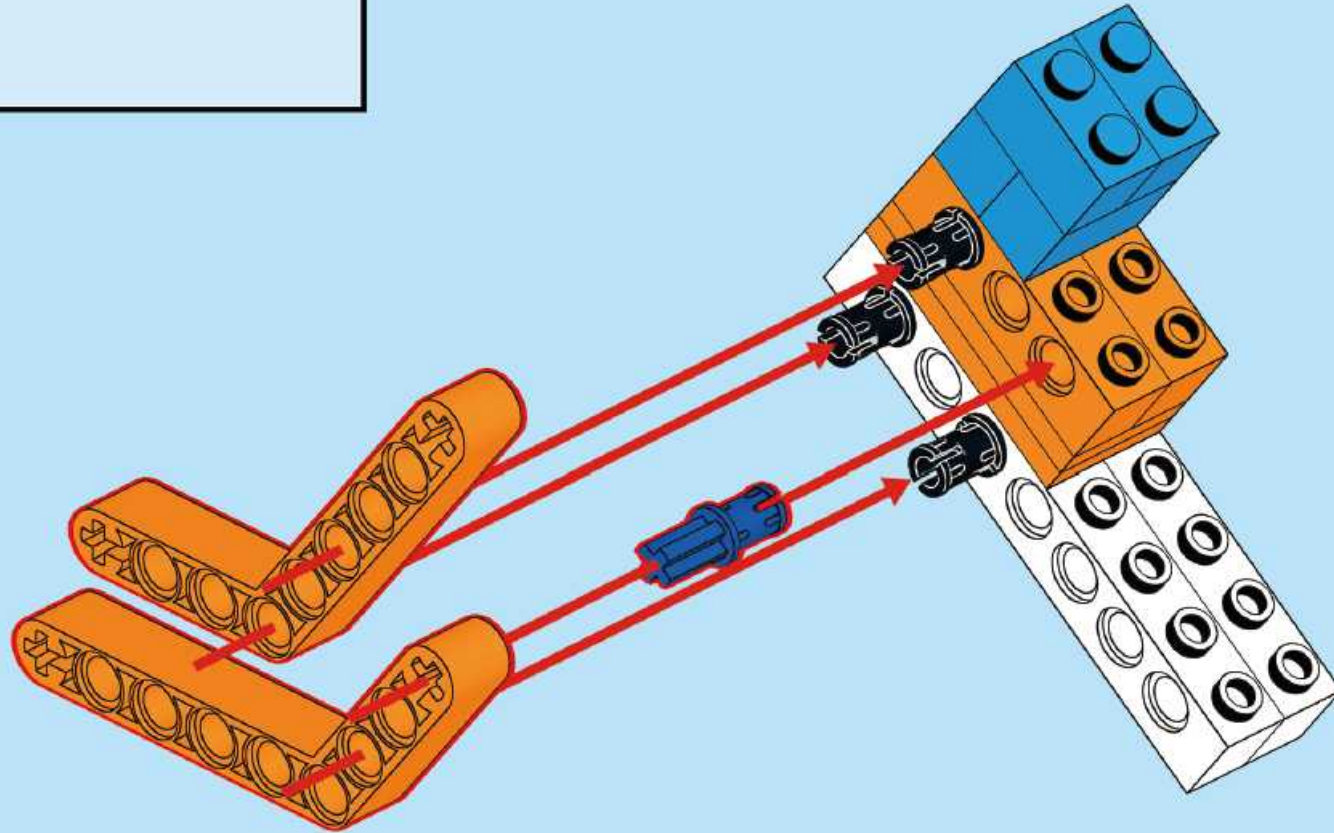
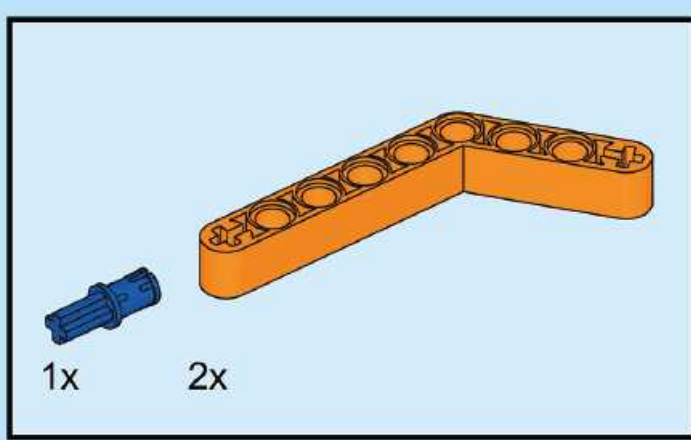


# 3

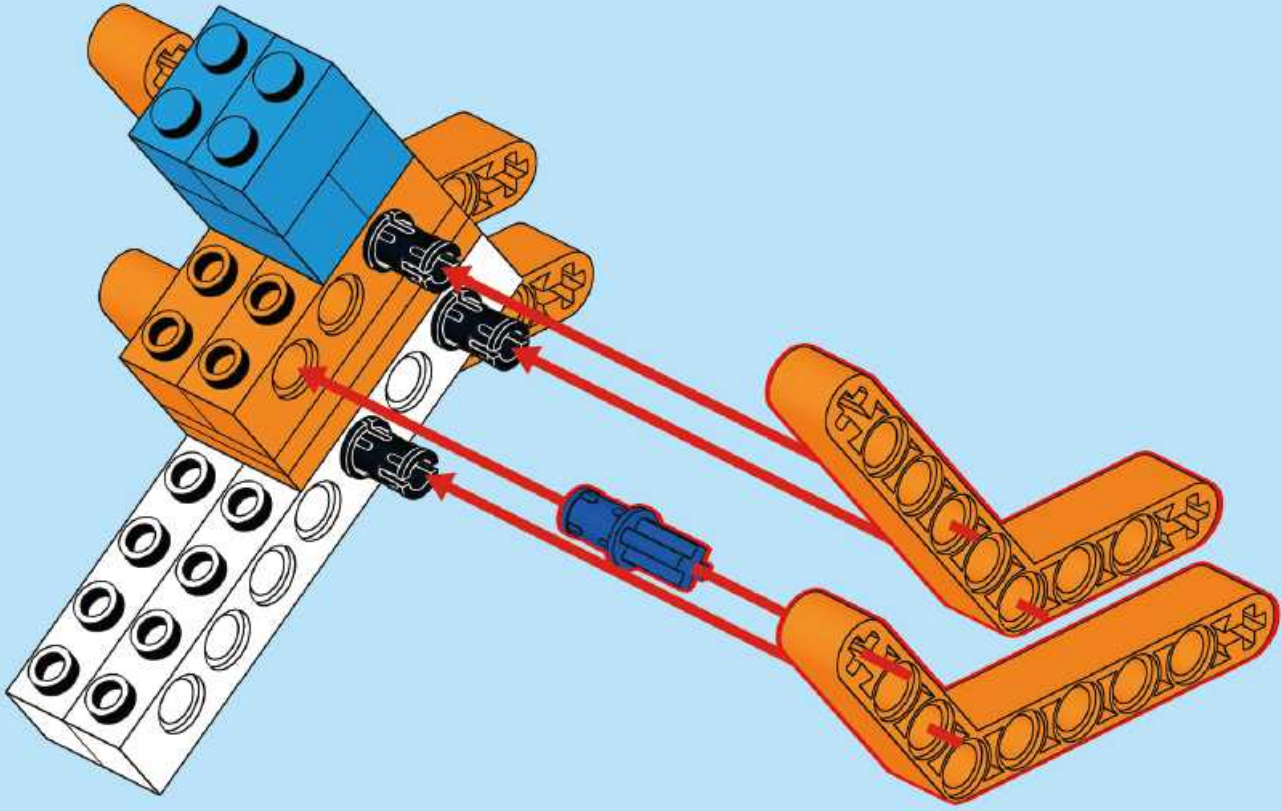
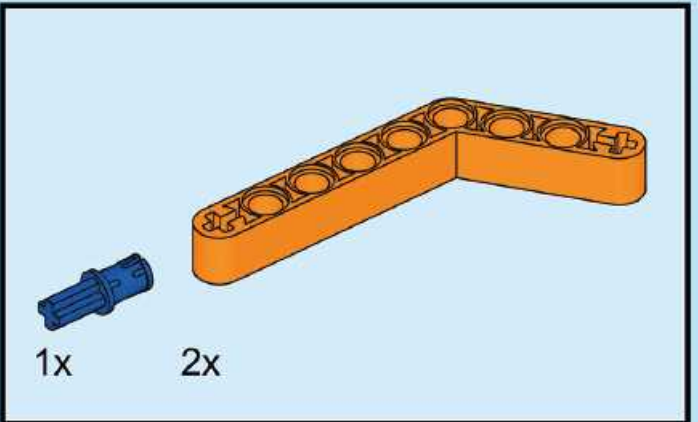




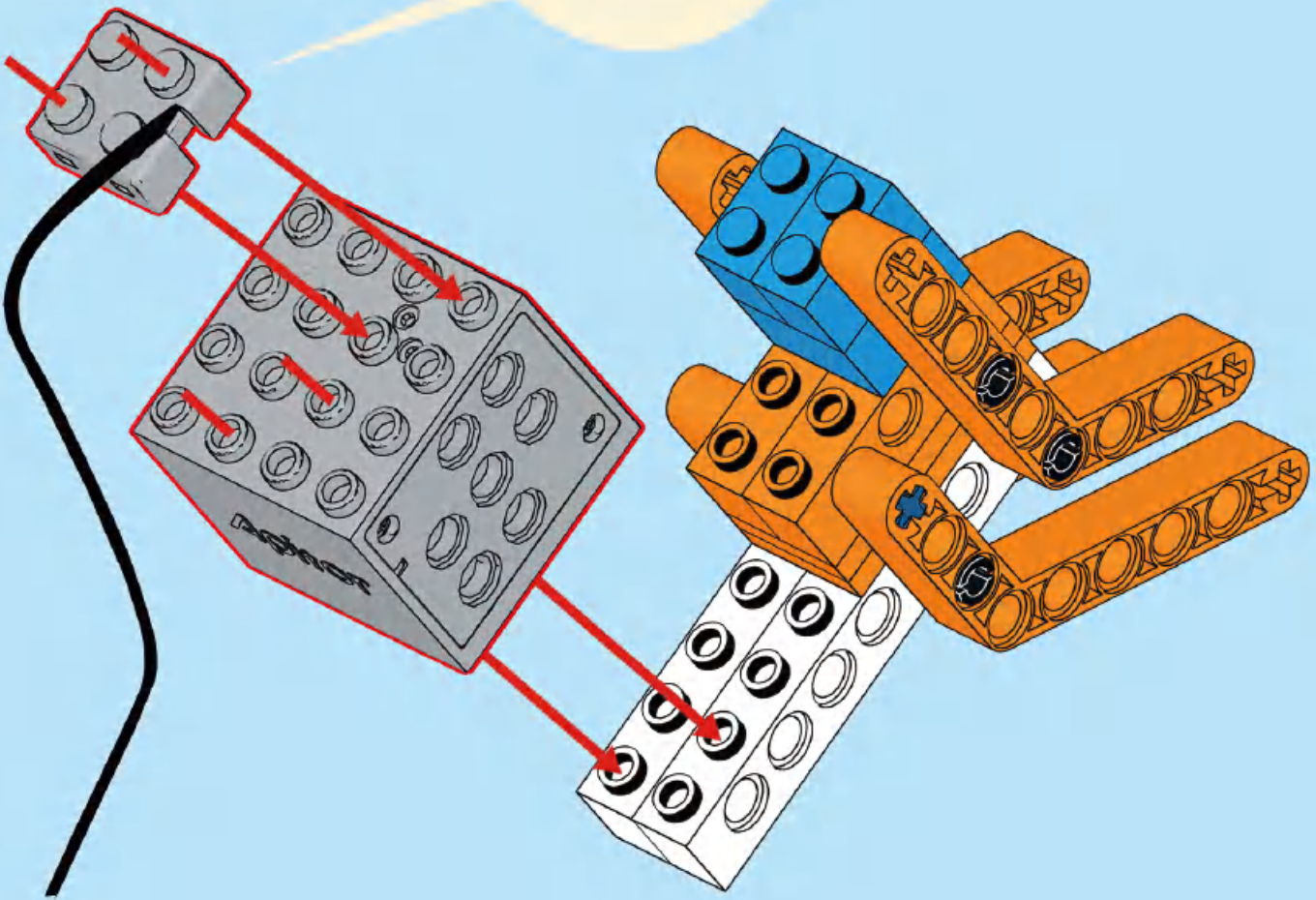
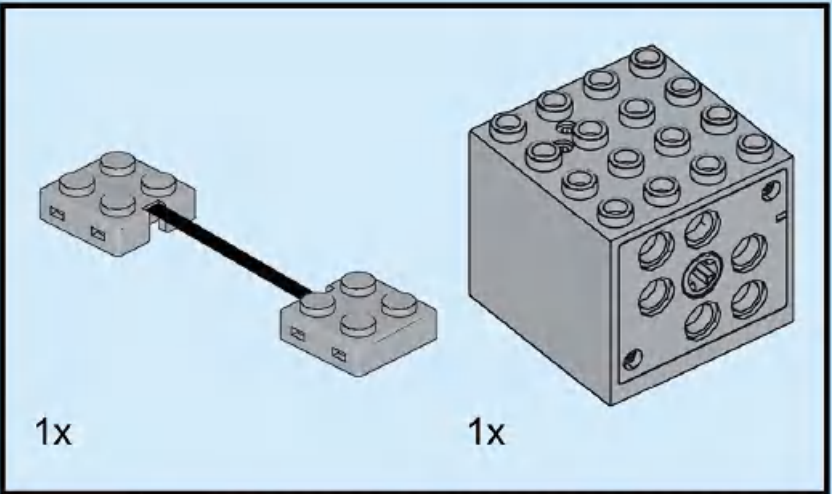
# 4



# 5

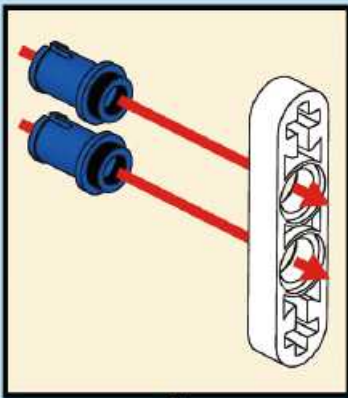
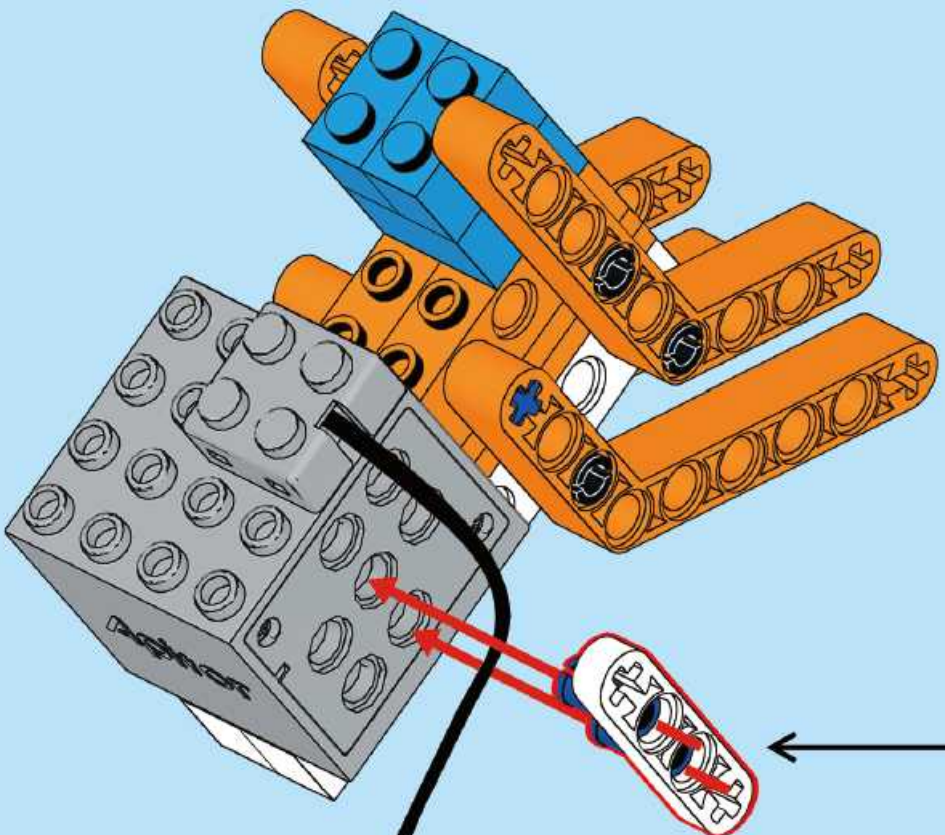
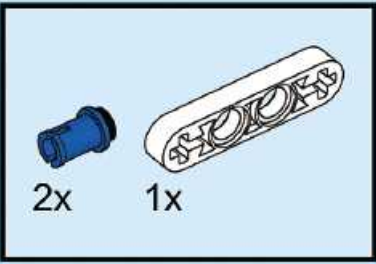


# 6

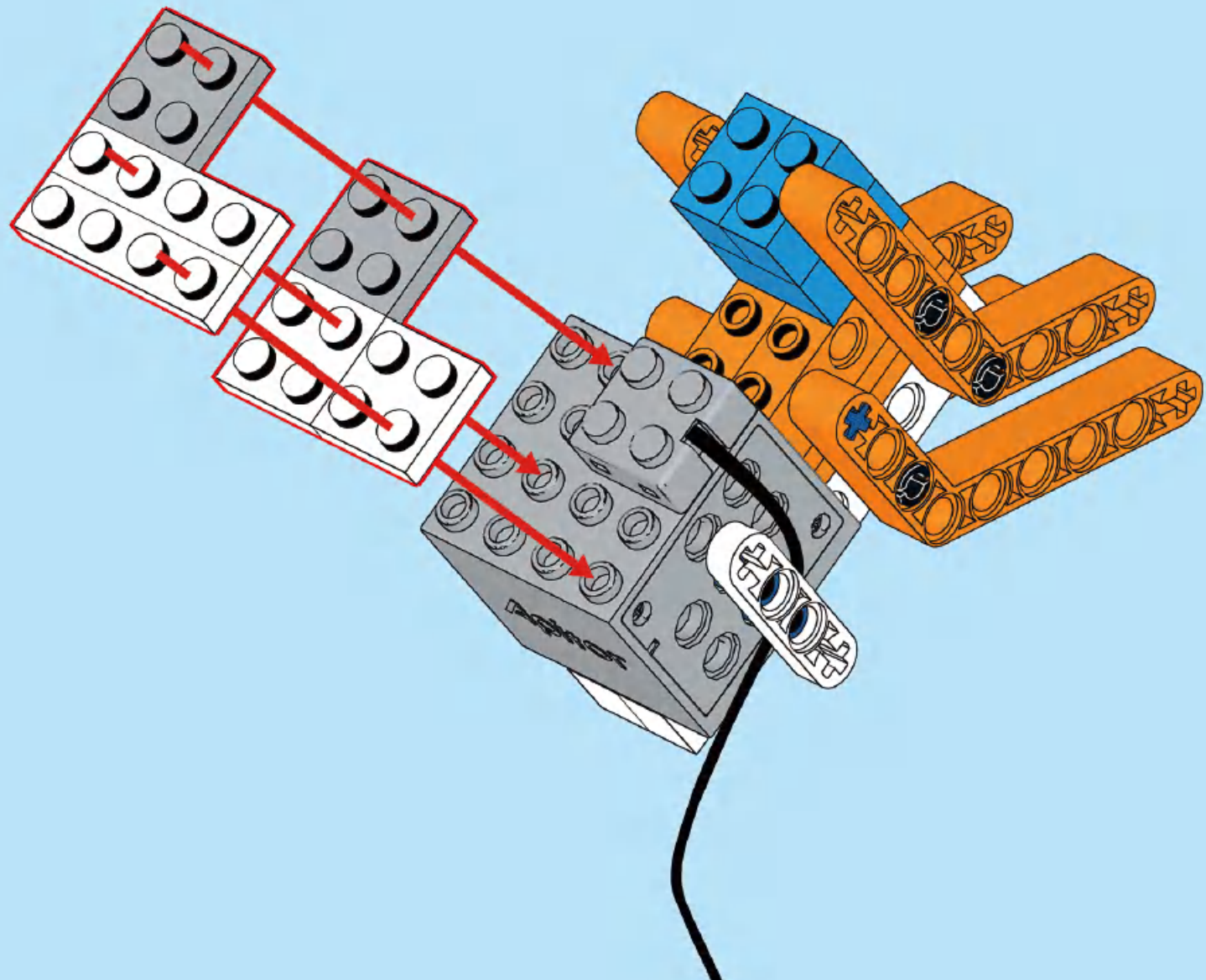
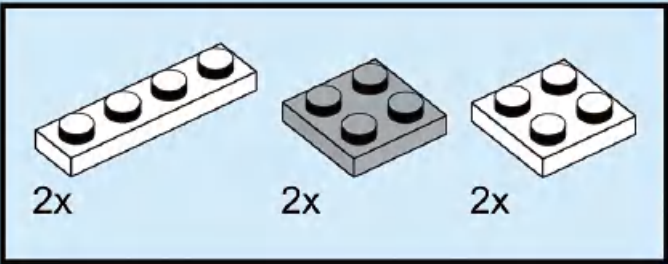




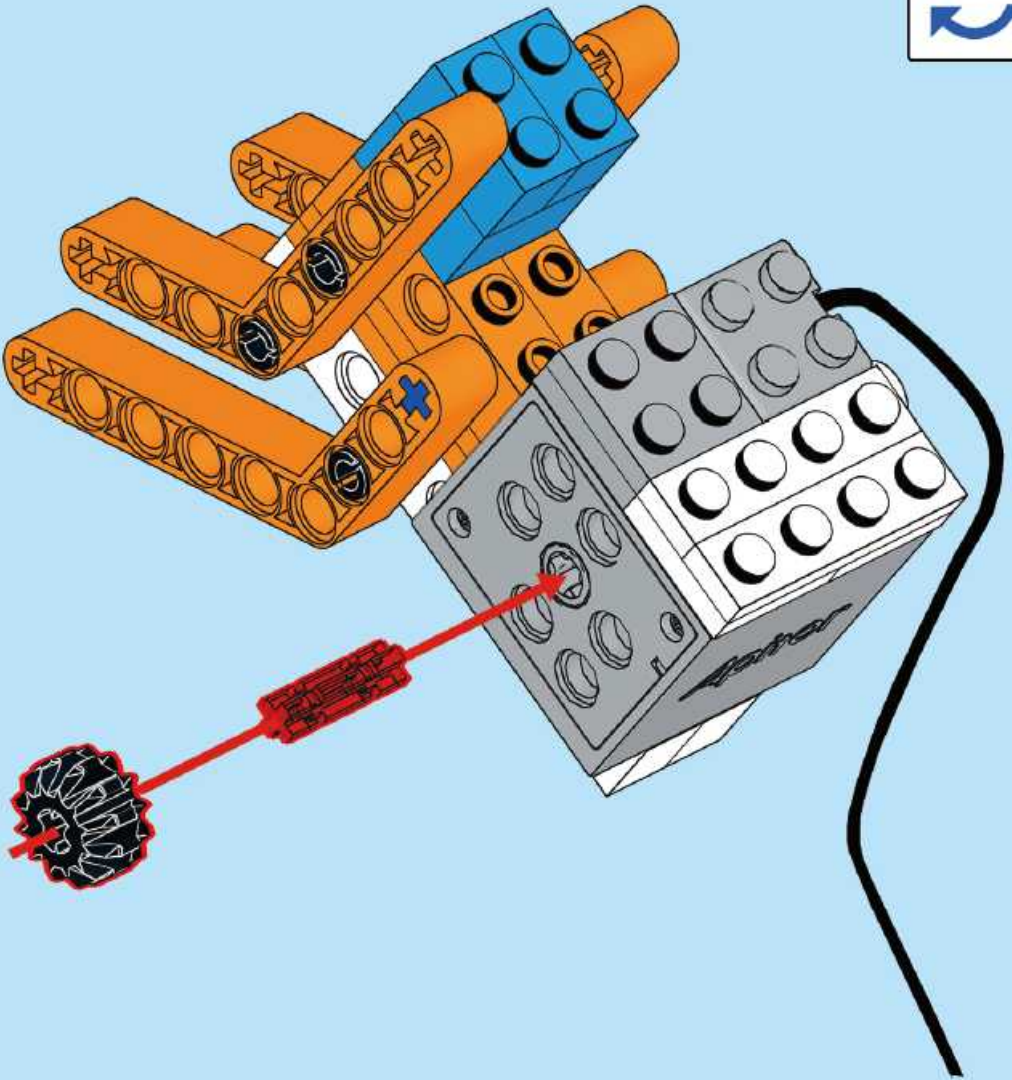
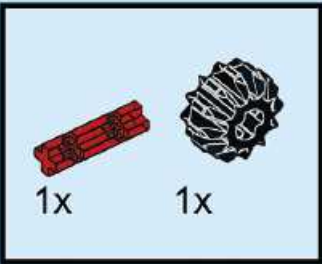
# 7



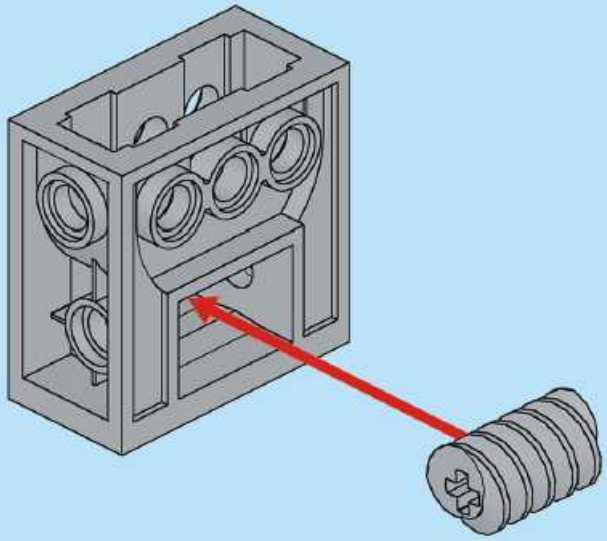
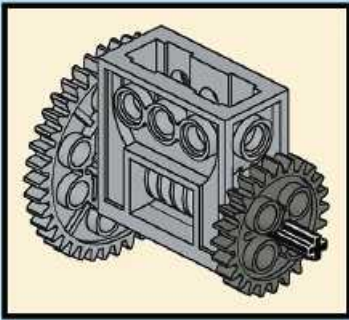
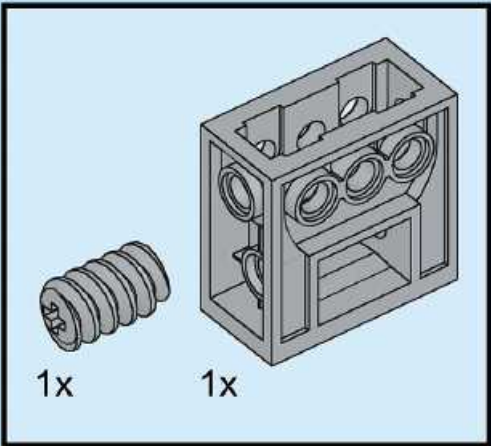
8



9

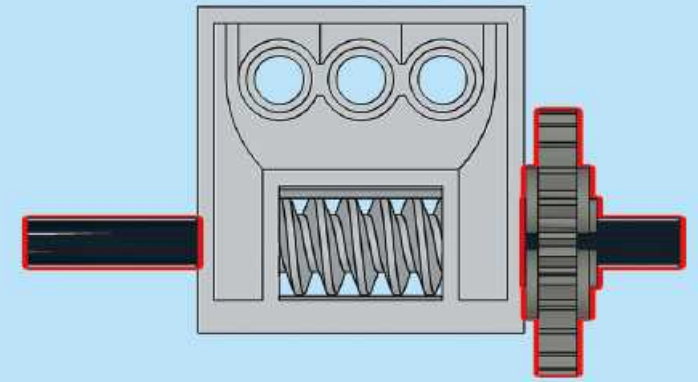
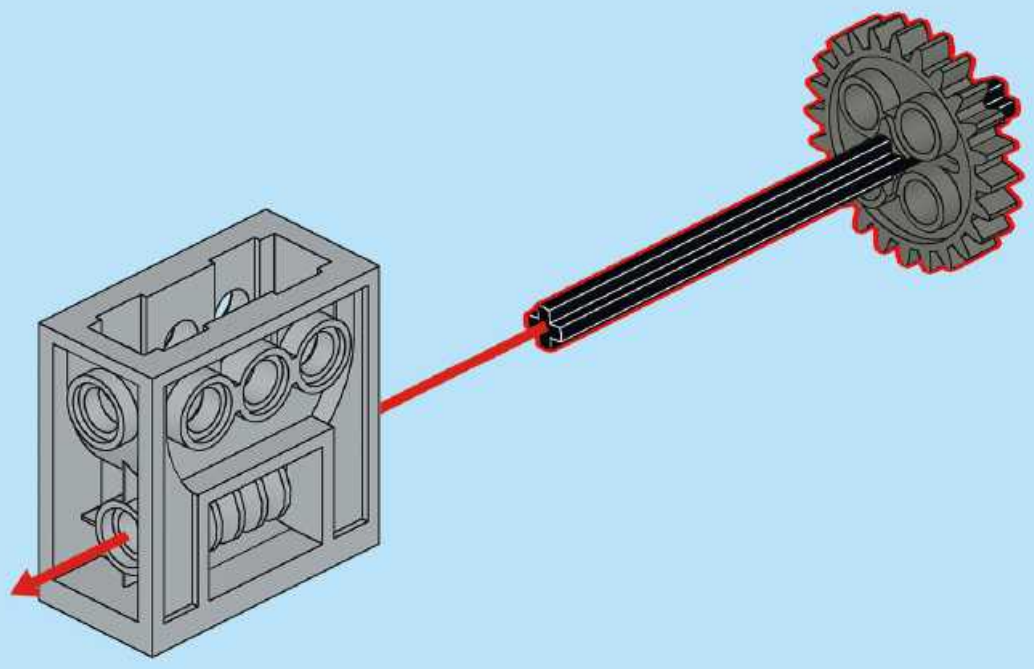
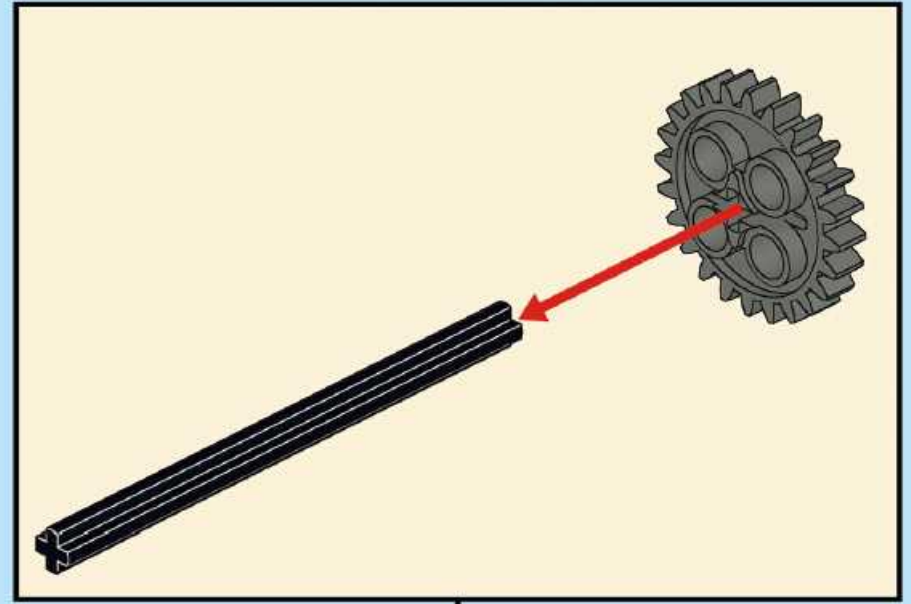
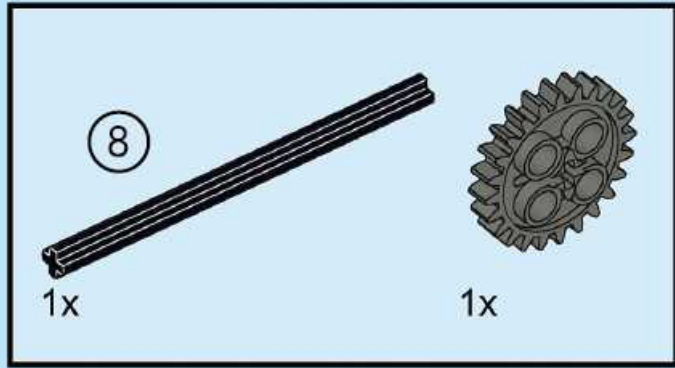


# 10

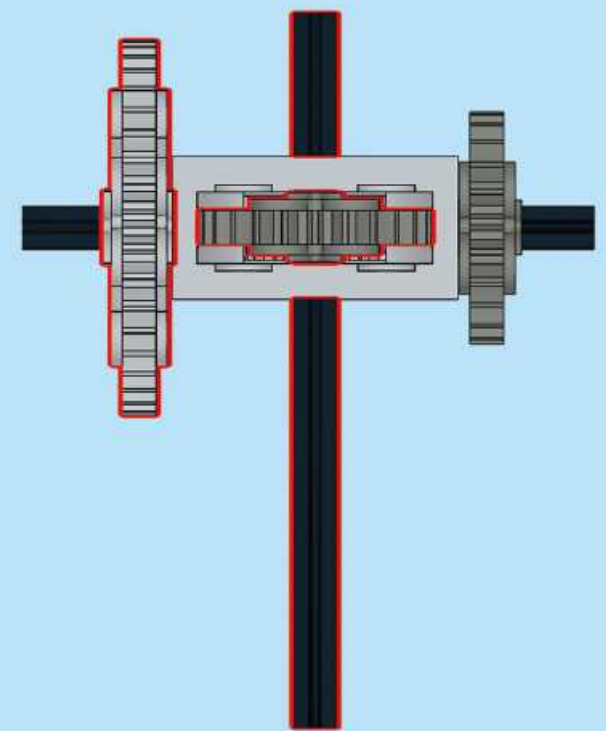
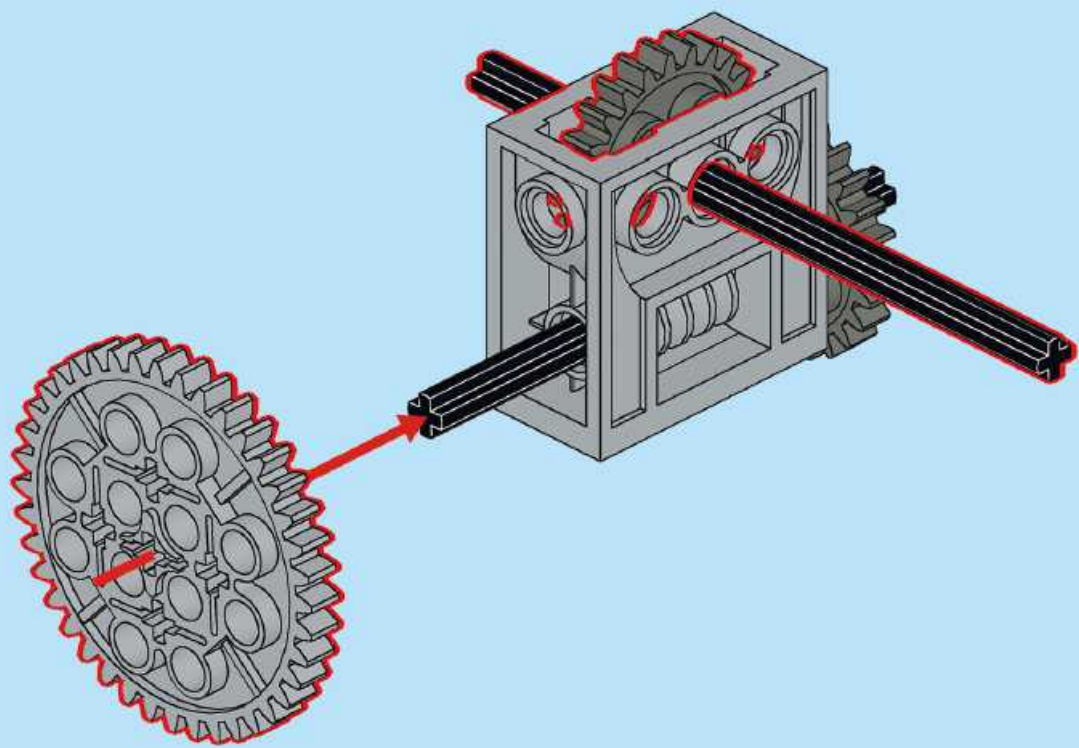
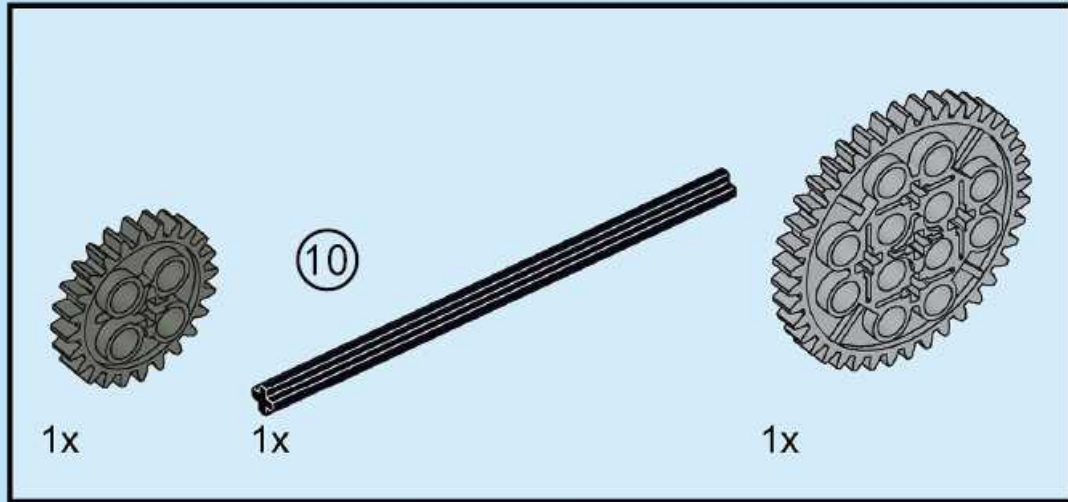




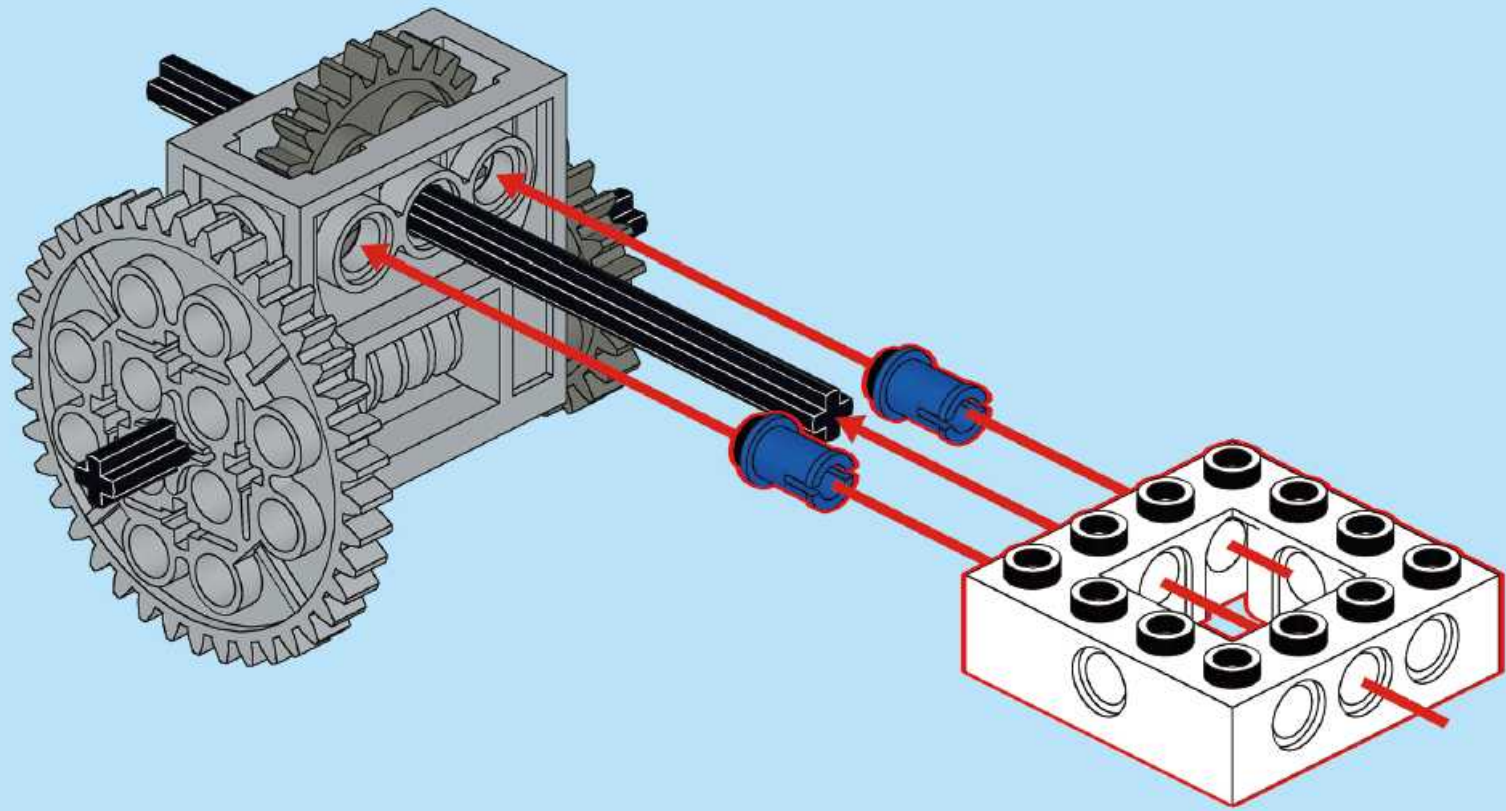
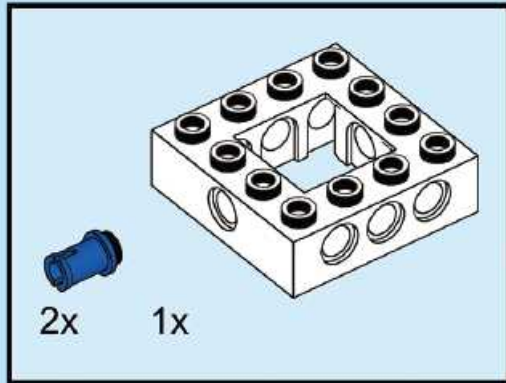
# 11



# 12

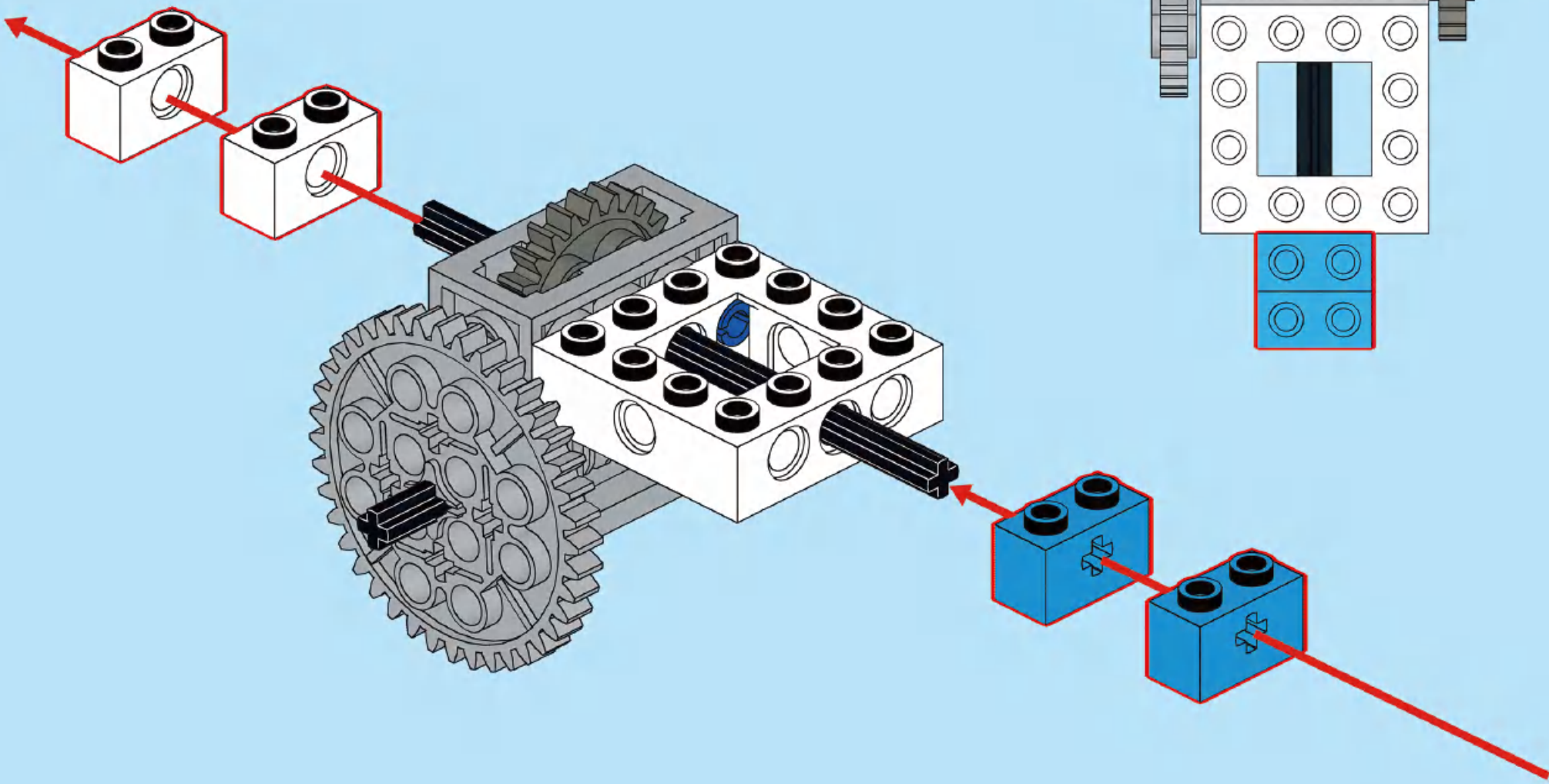
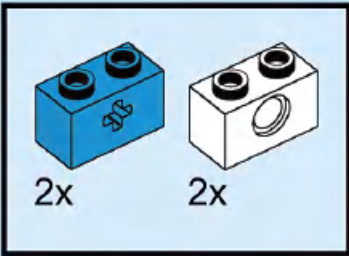


# 13

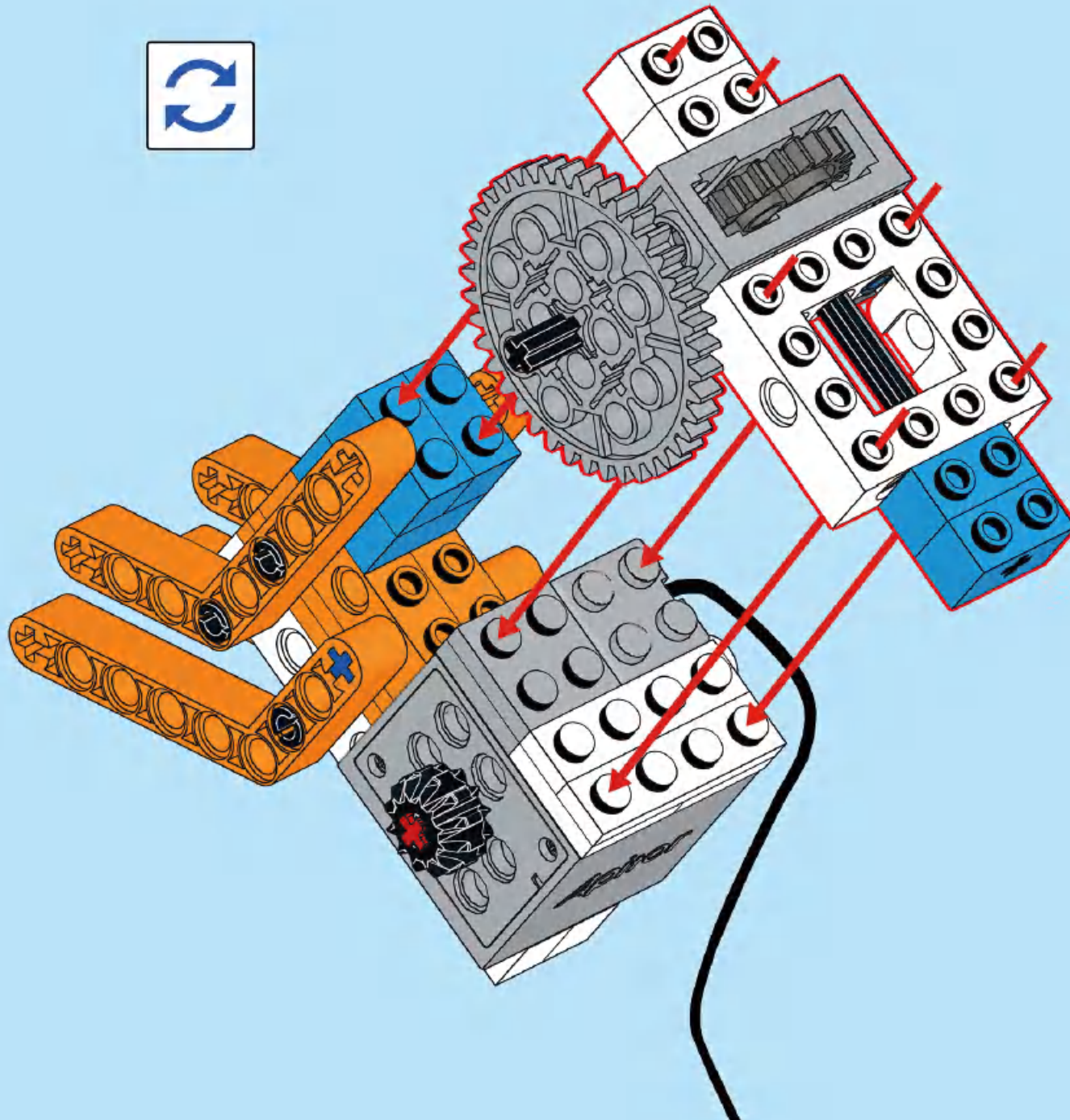




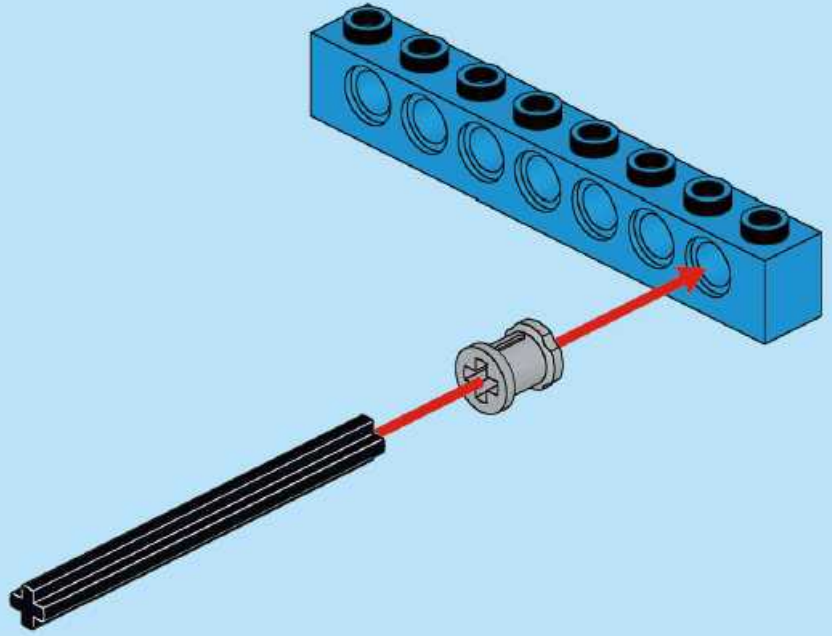
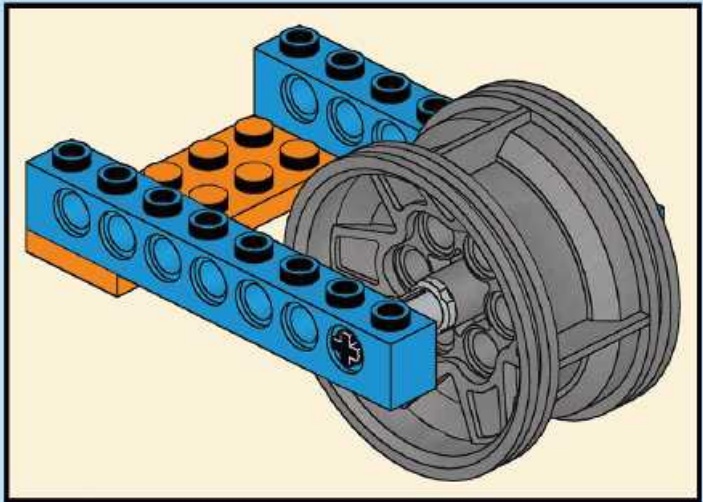
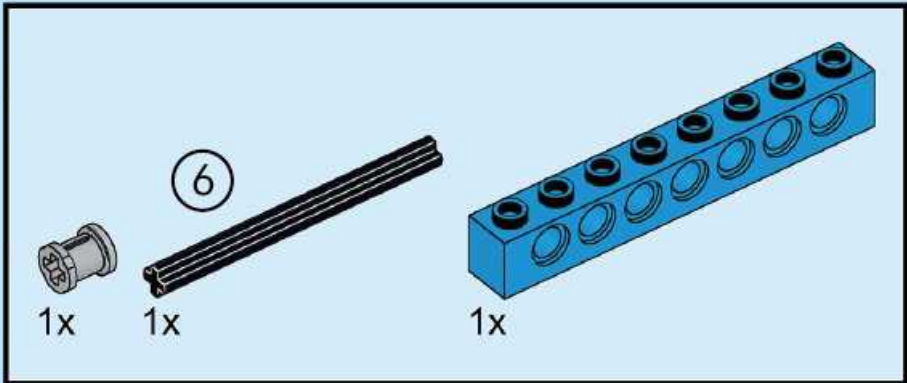
# 14



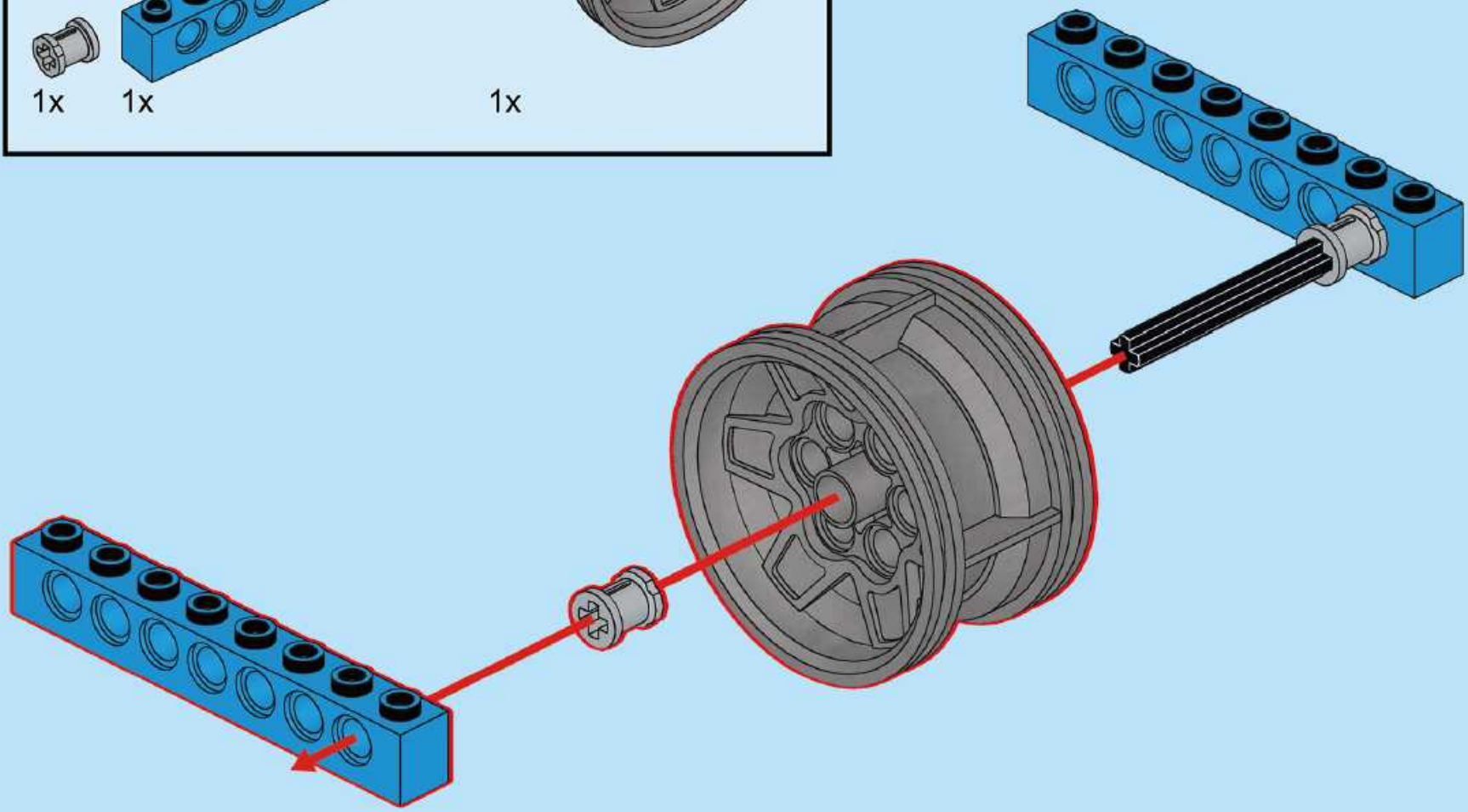
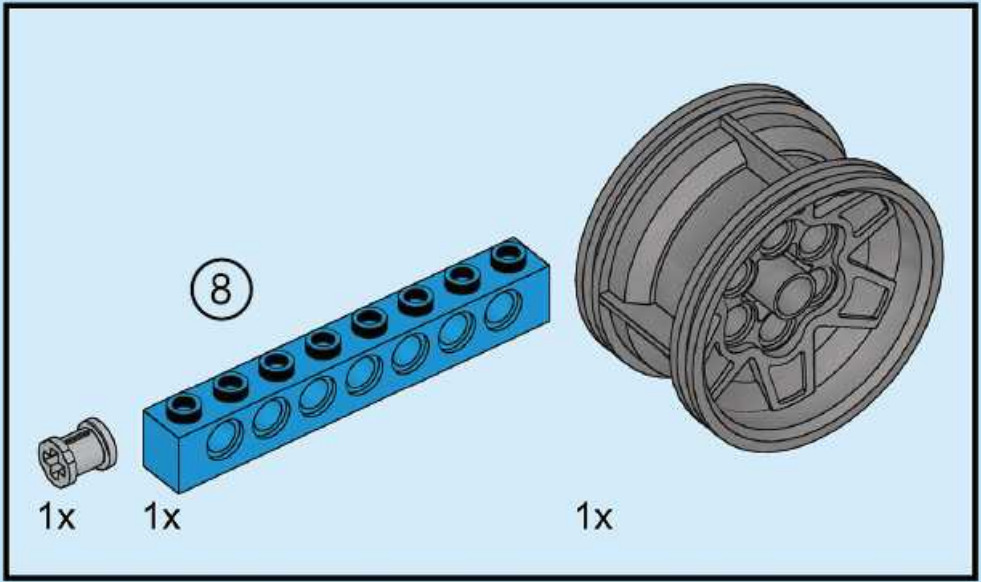




# 16

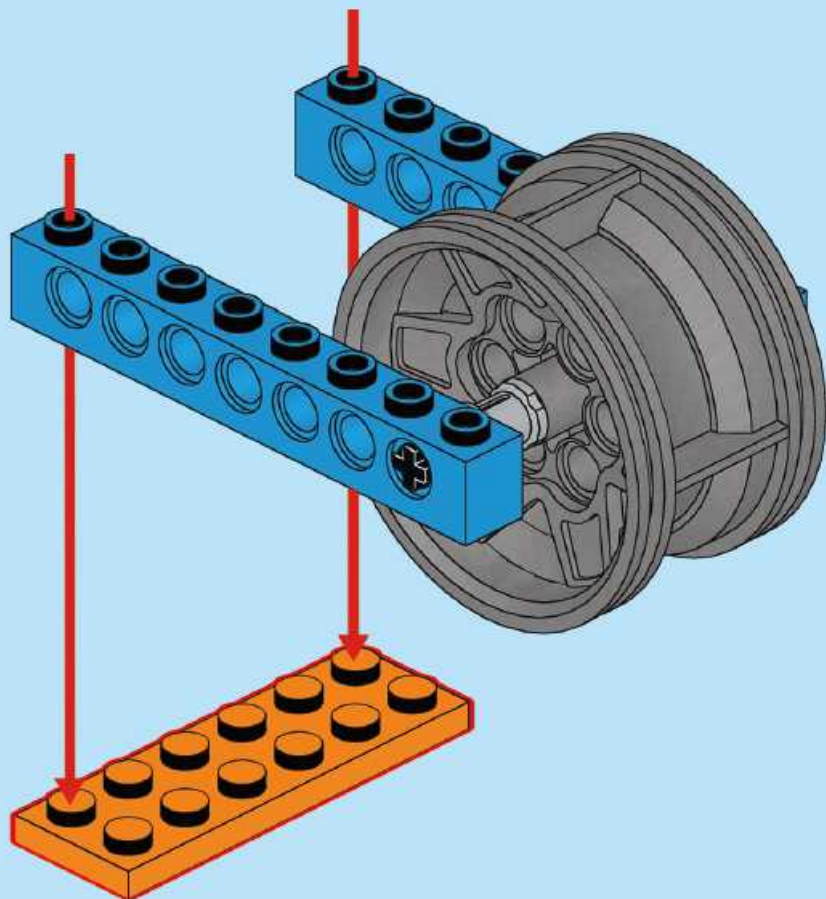
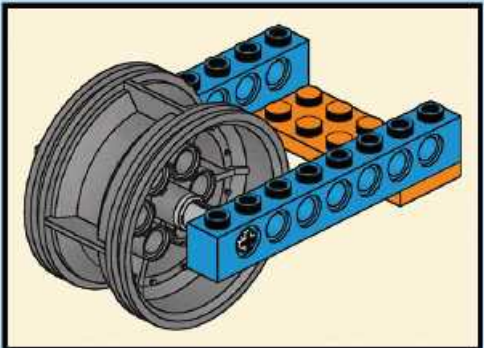
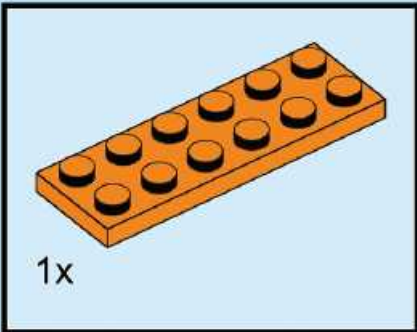


# 17



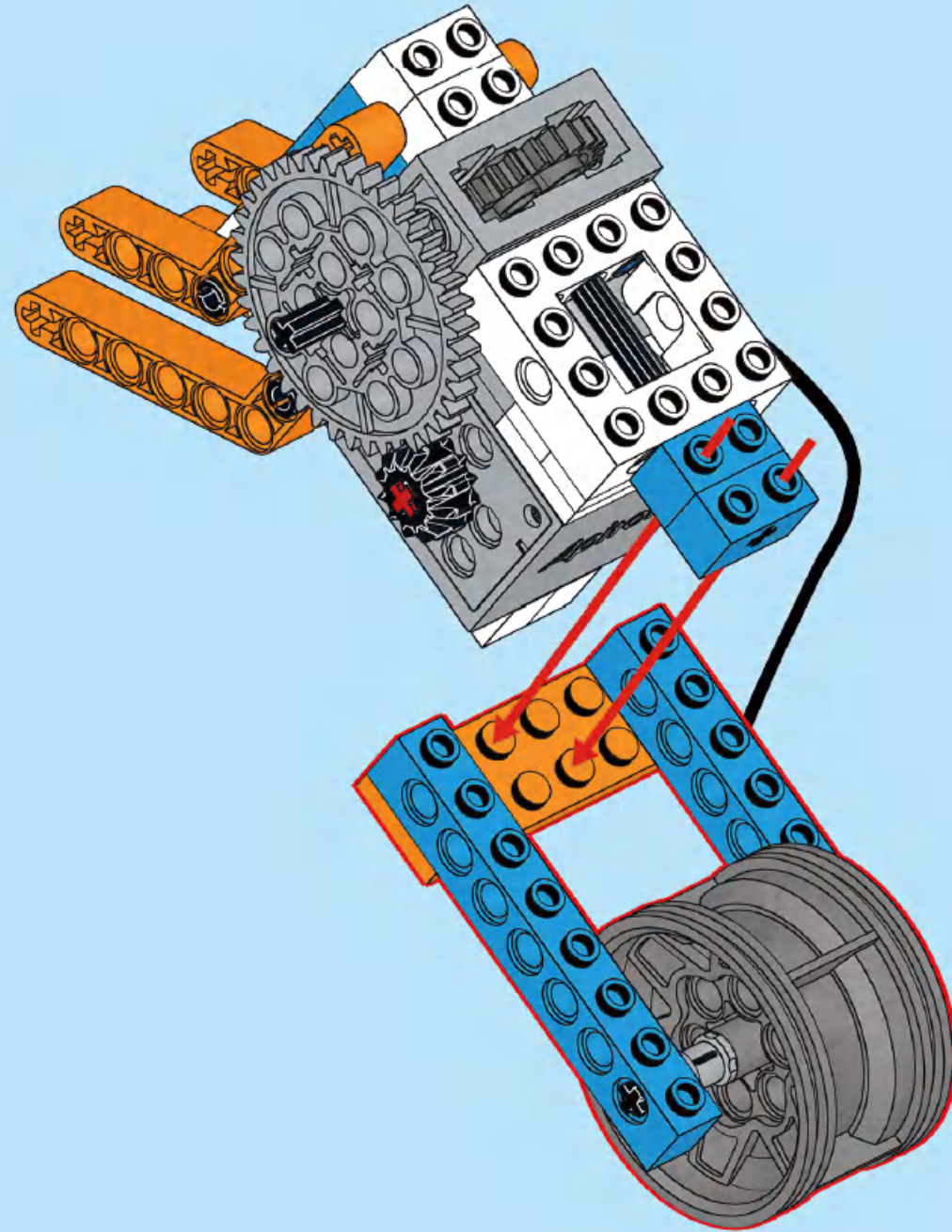


# 18

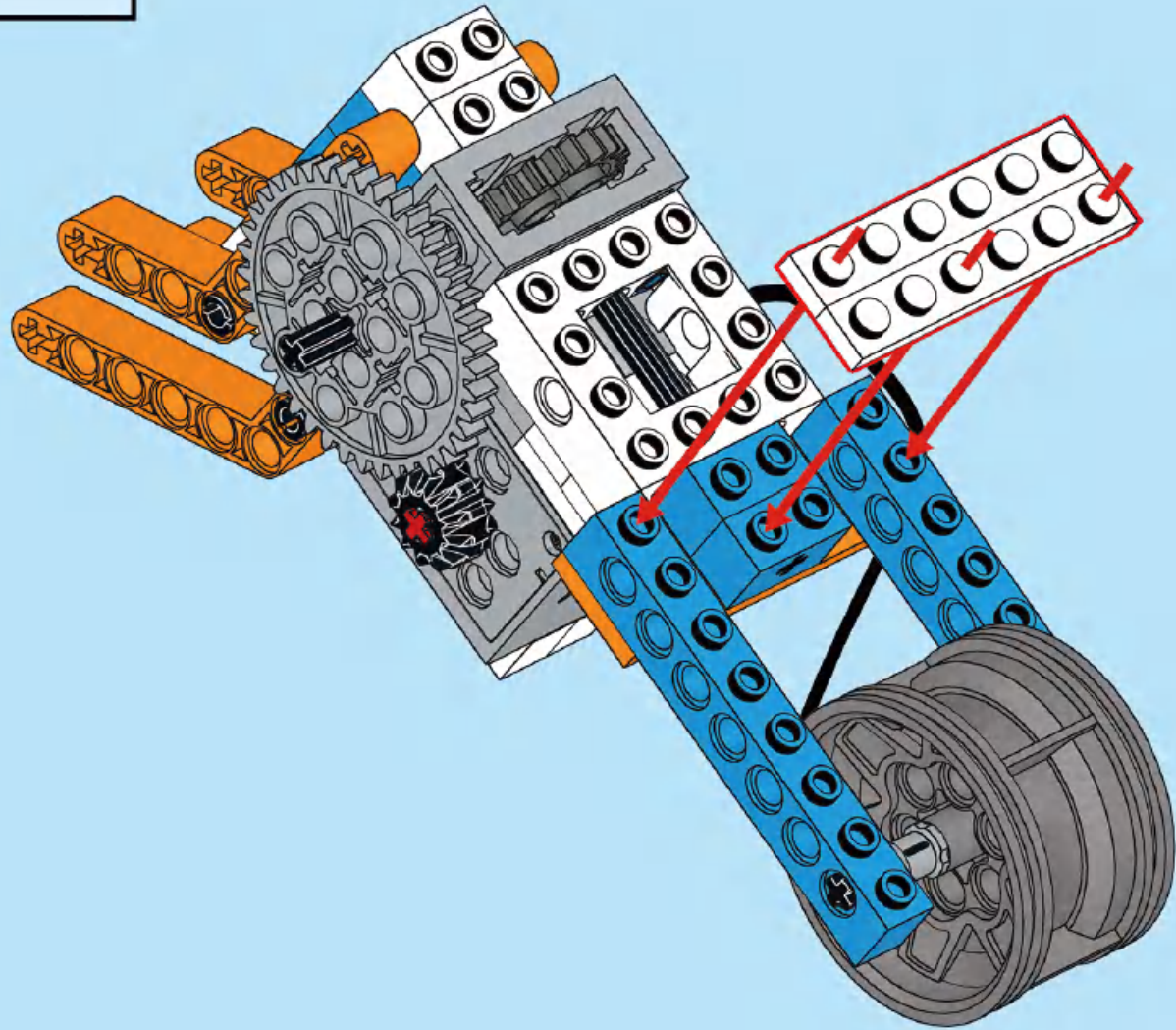
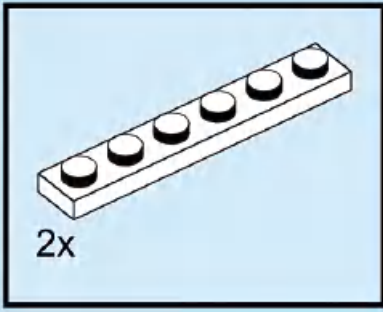




# 19

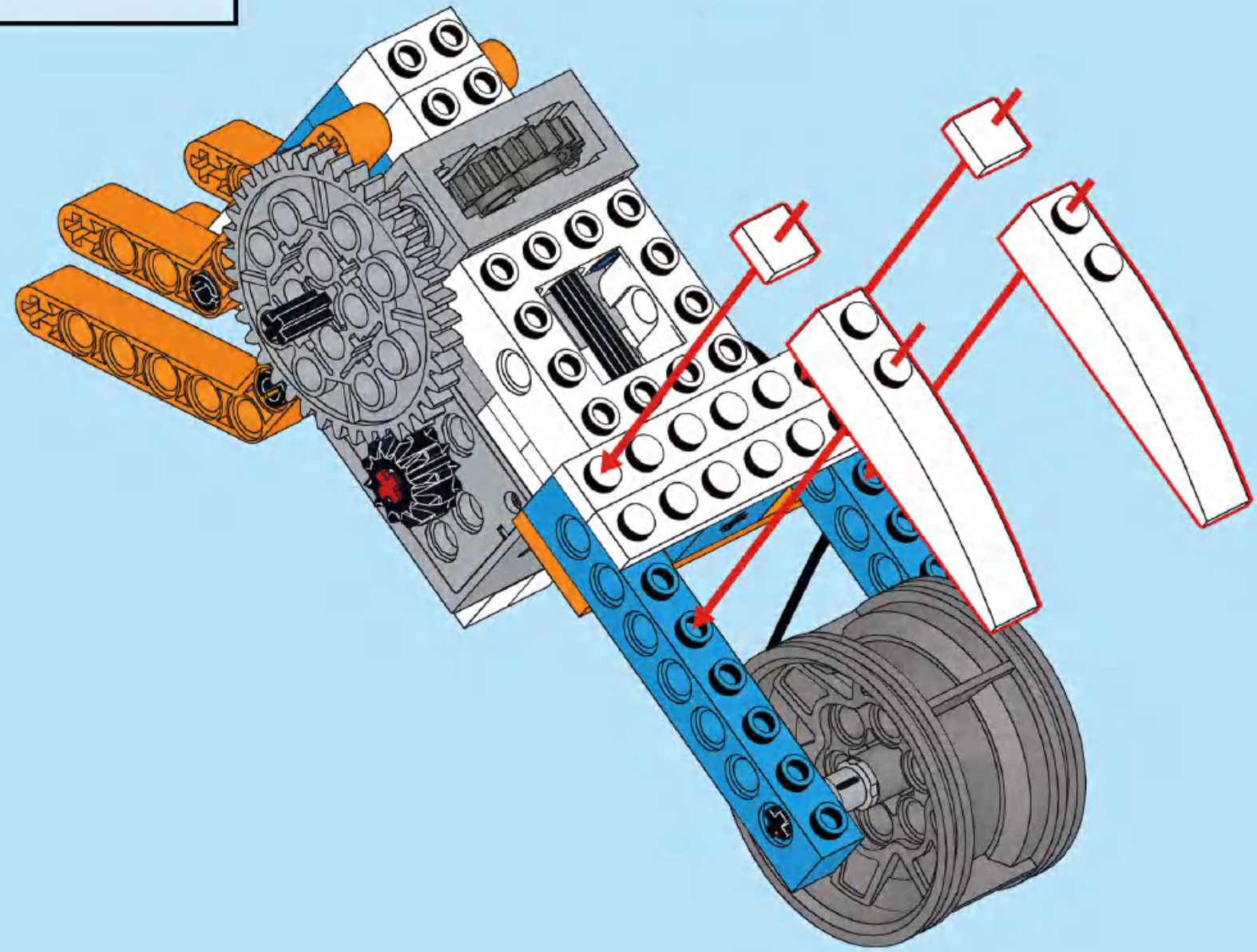
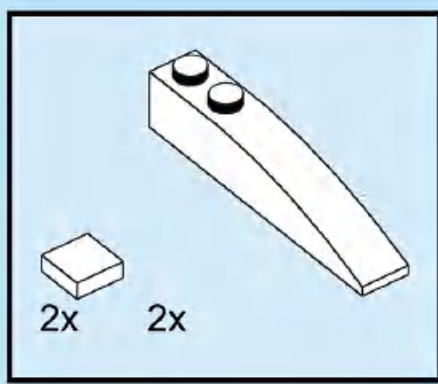


# 20

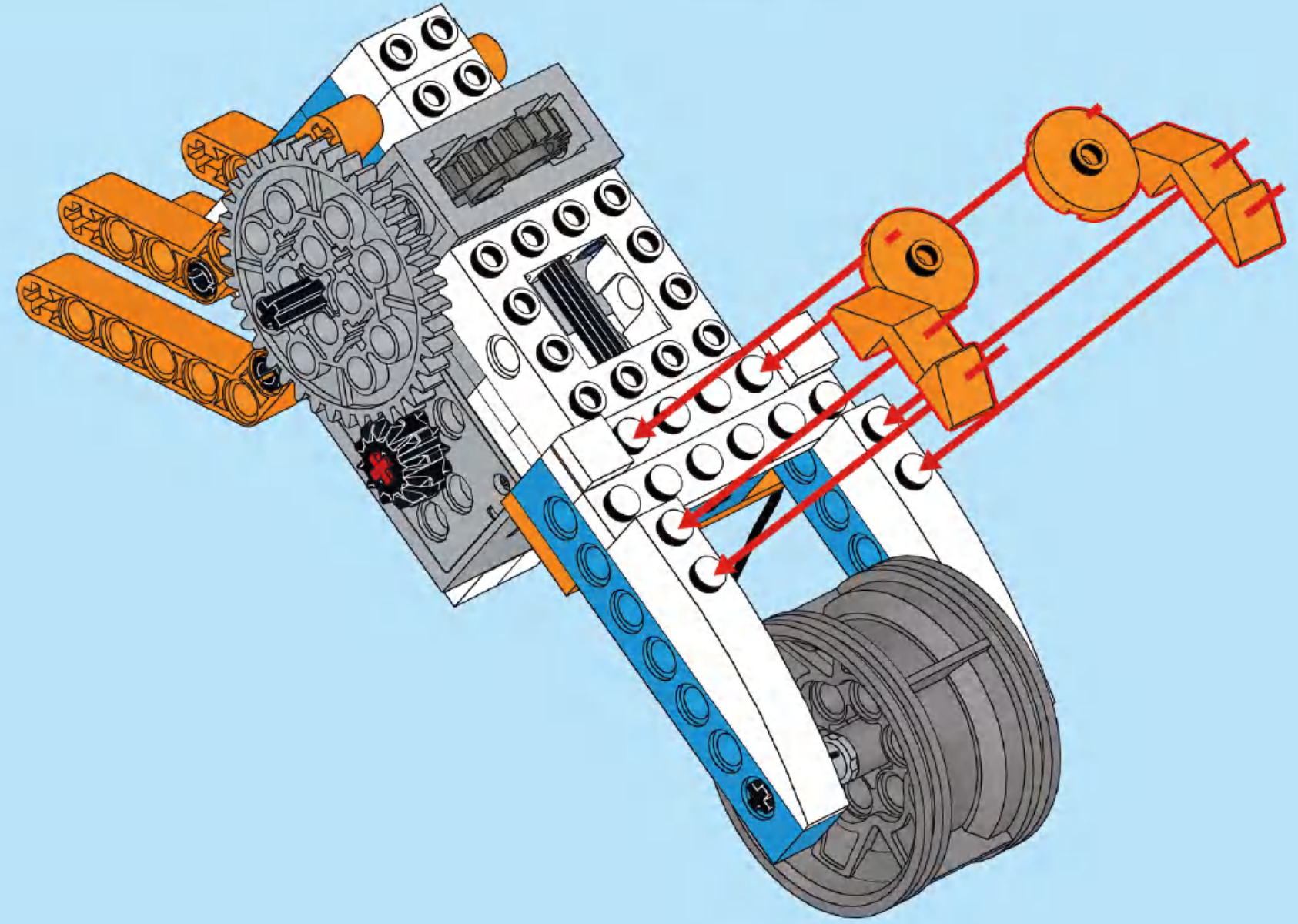
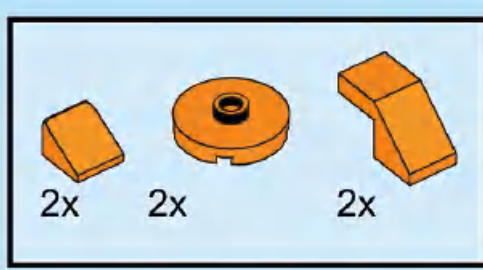




# 21



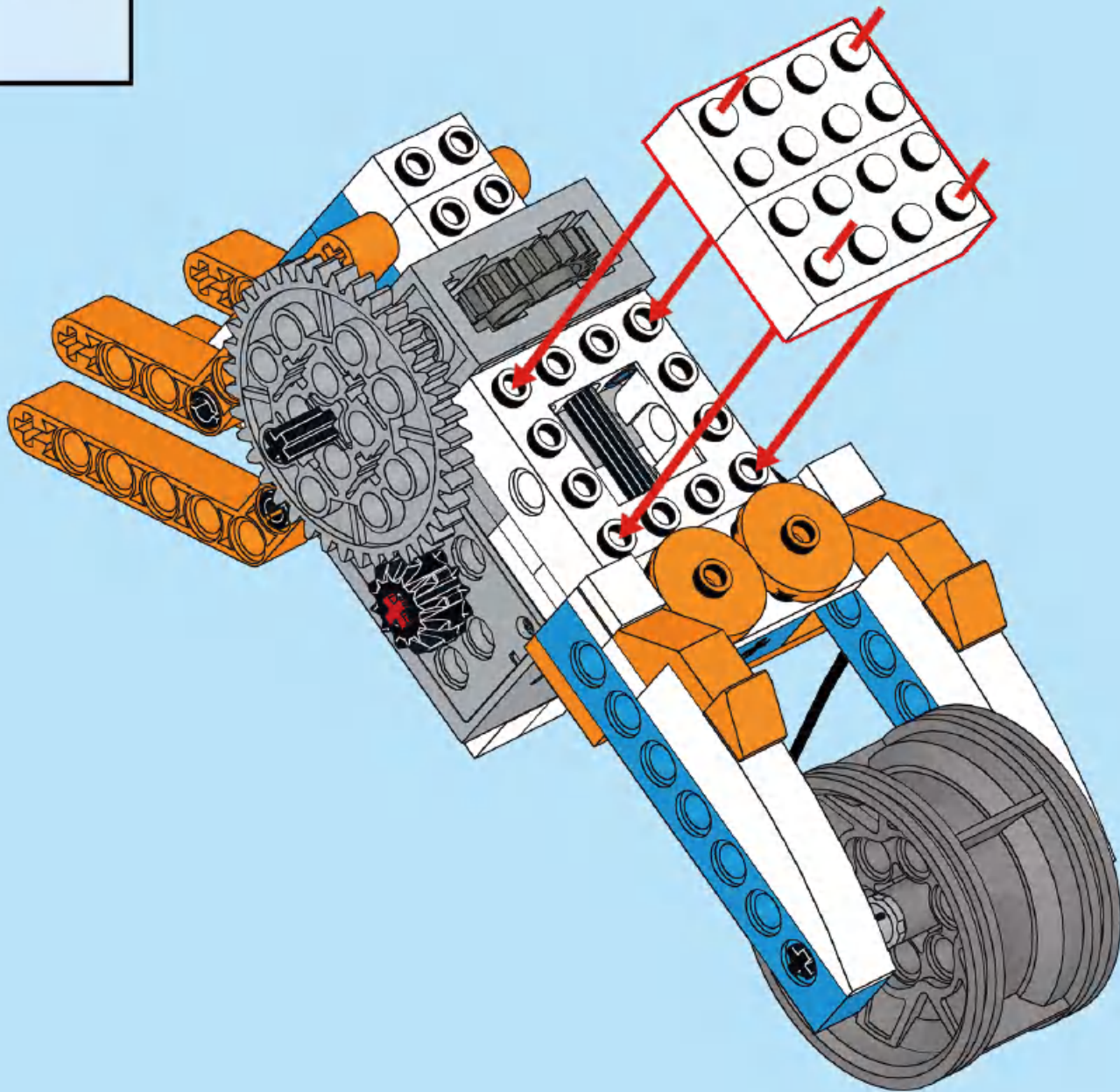
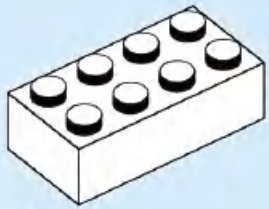
# 22



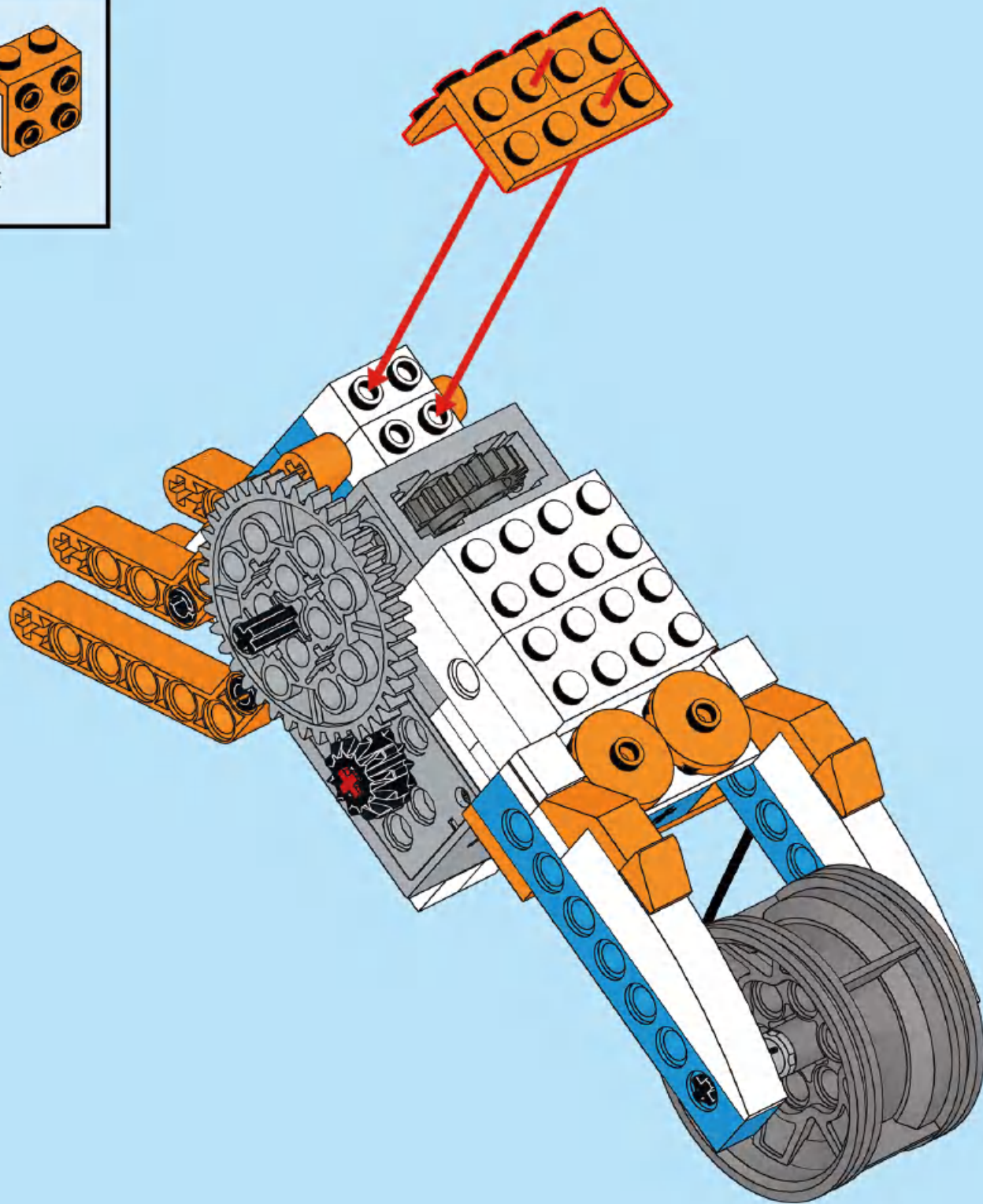
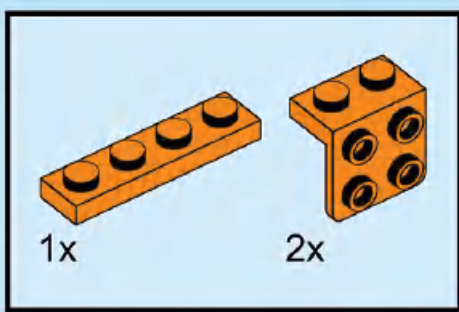


# 23

2x

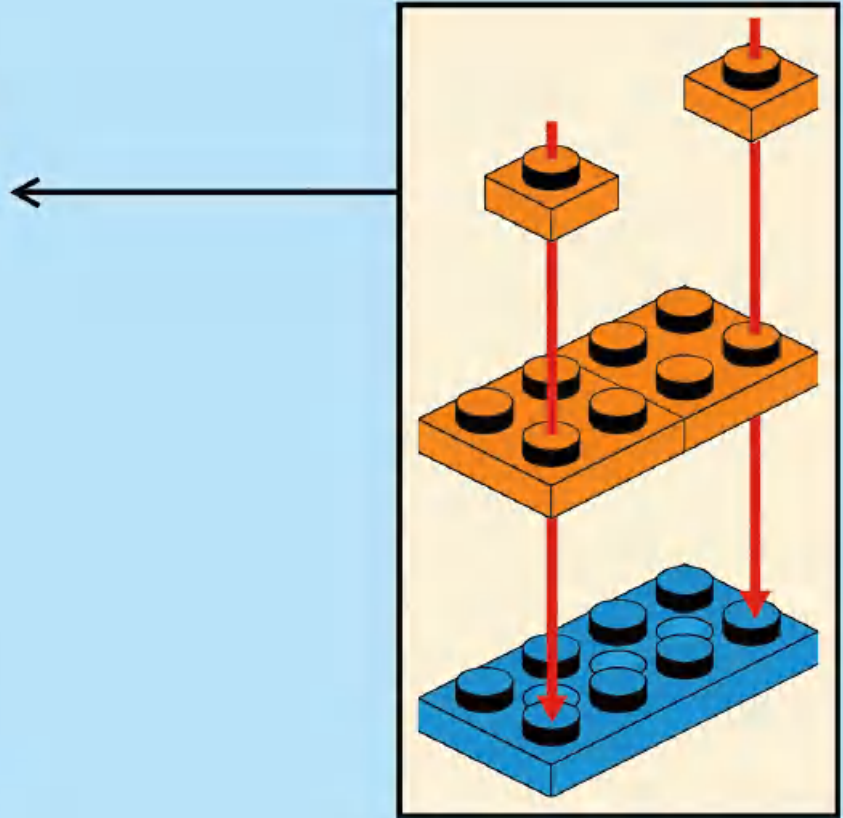
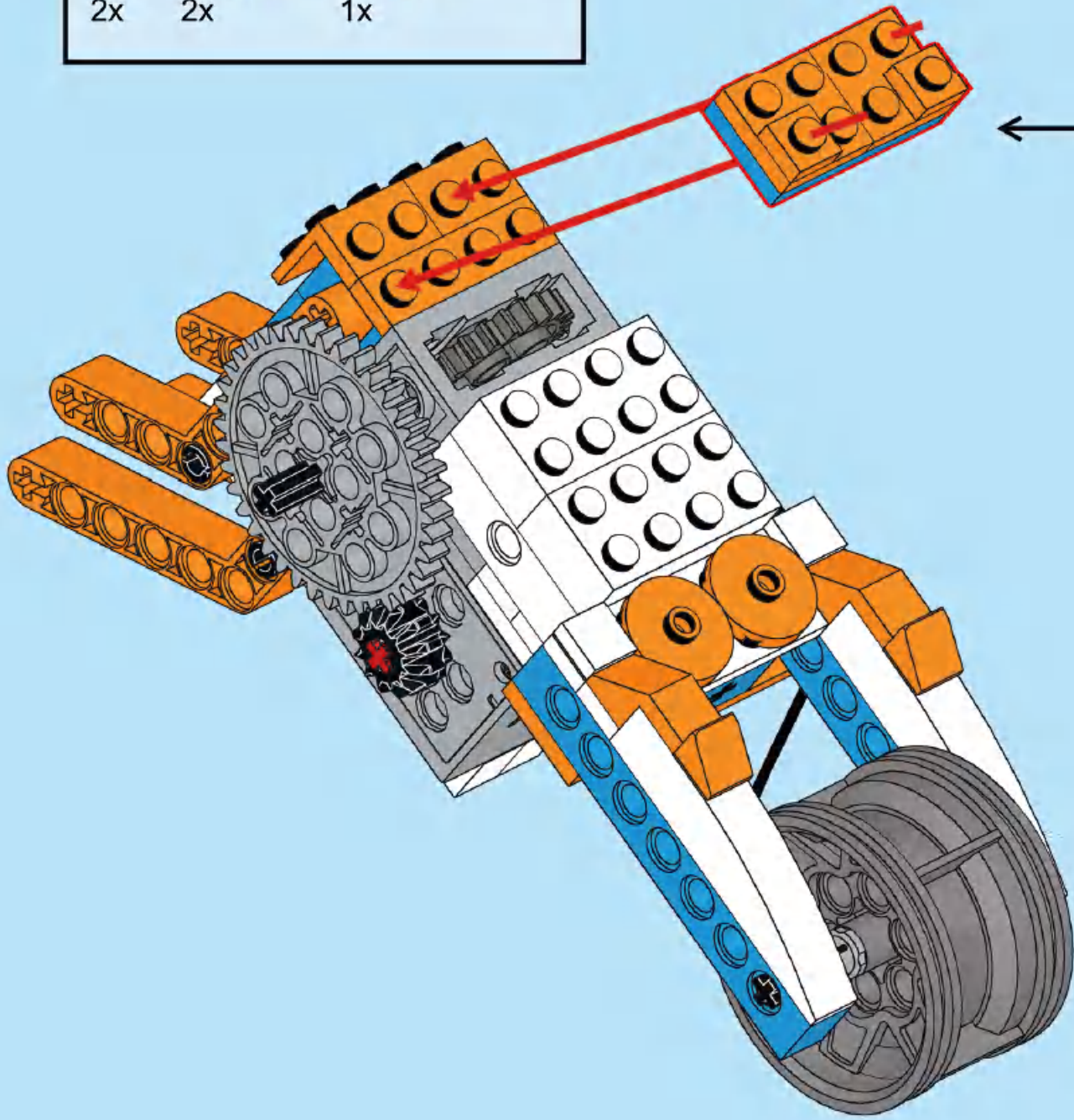
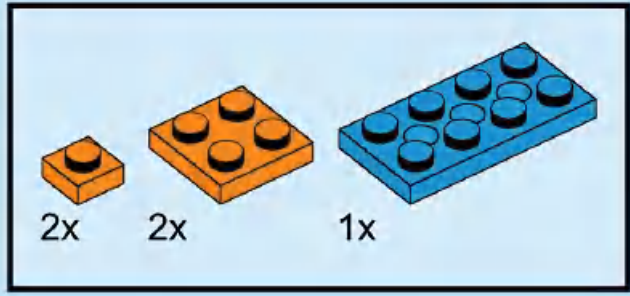


# 24

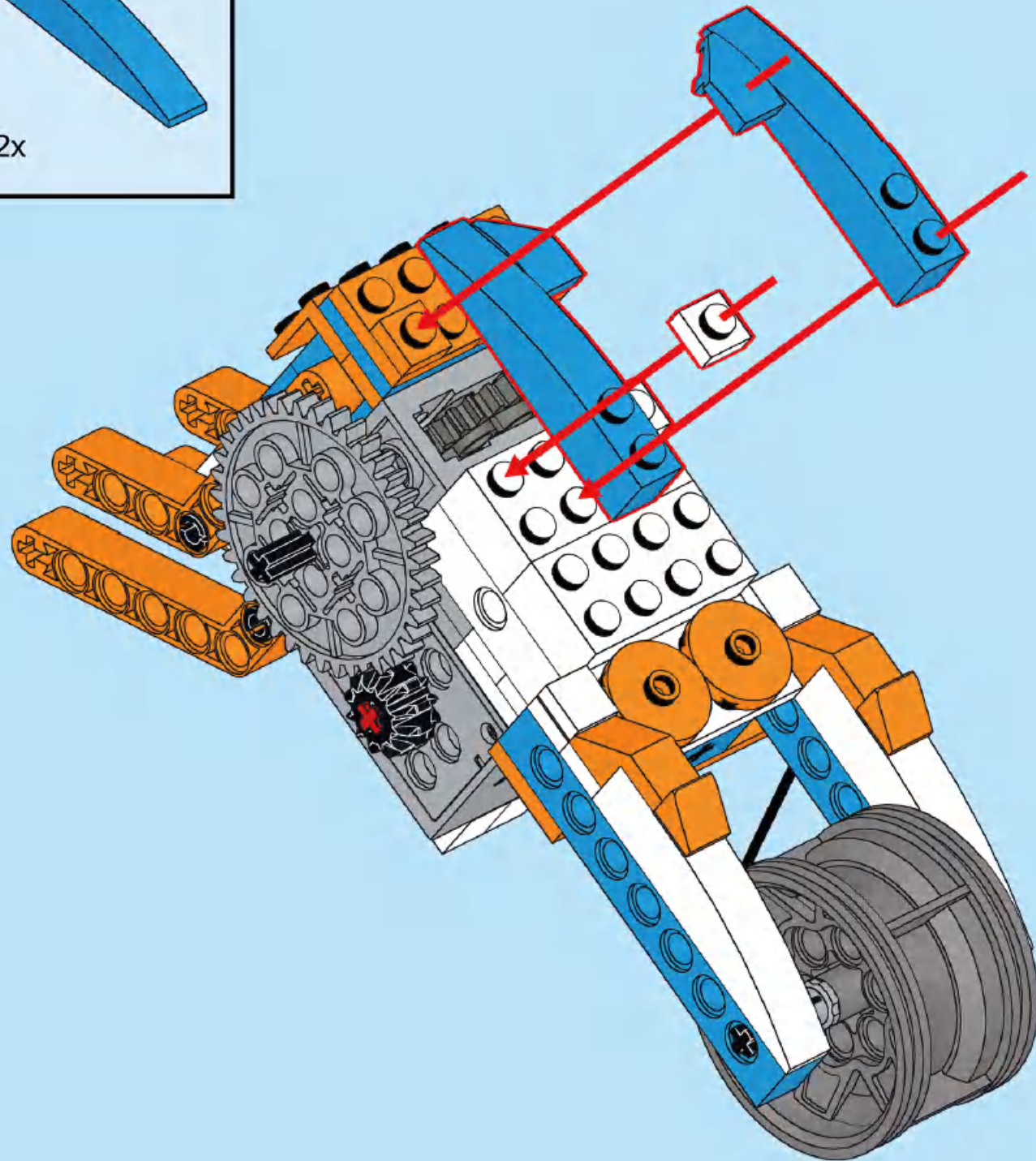
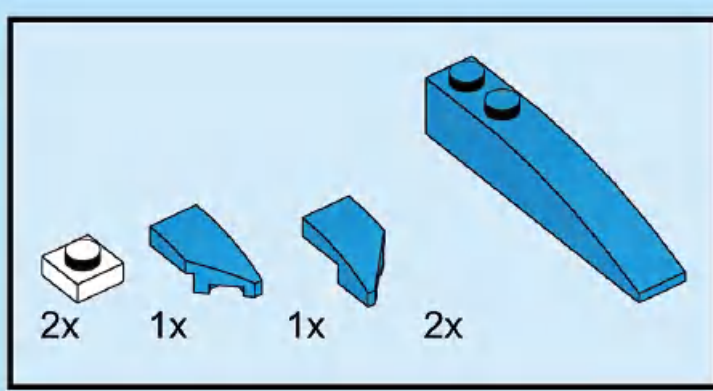




# 25

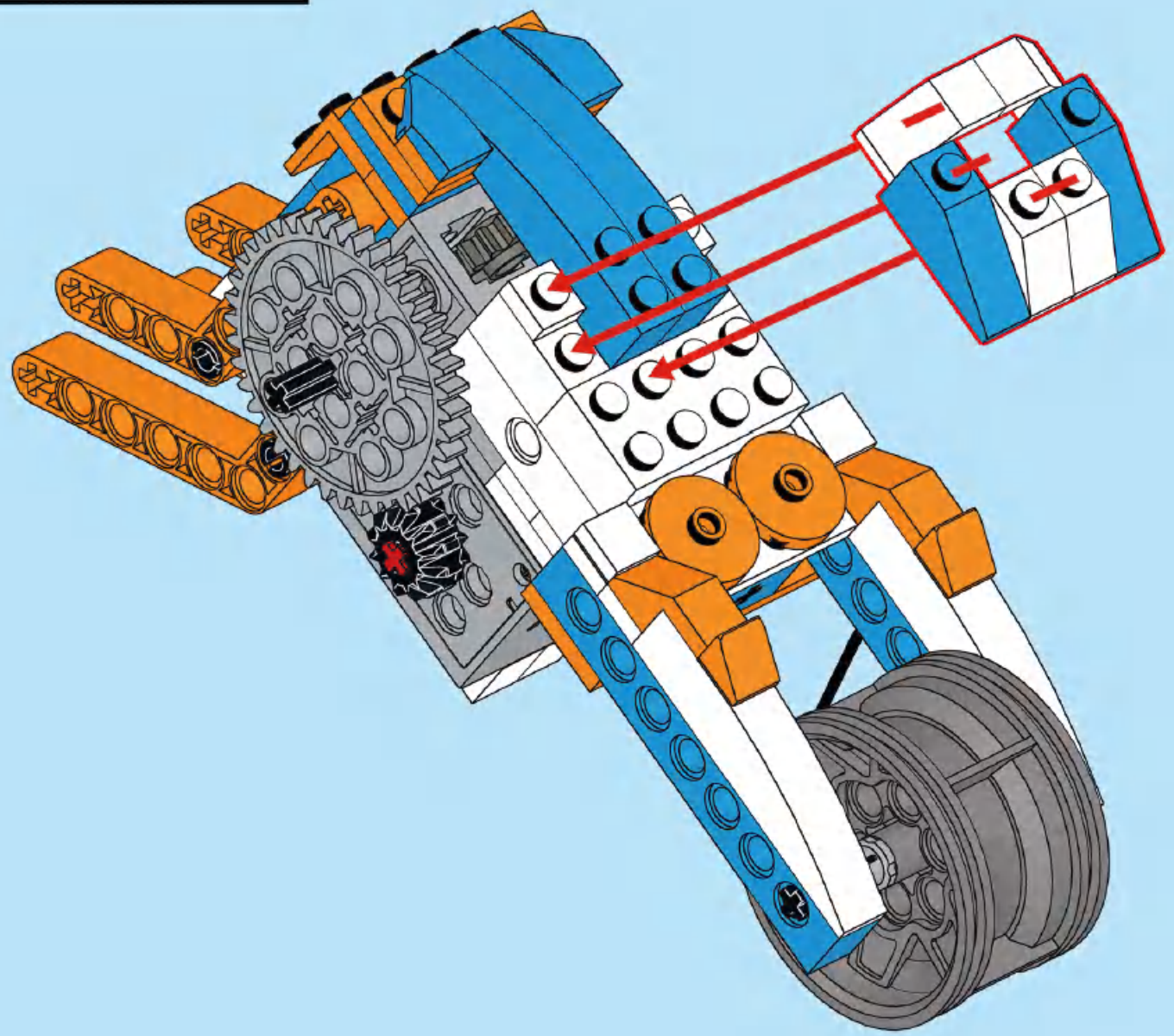
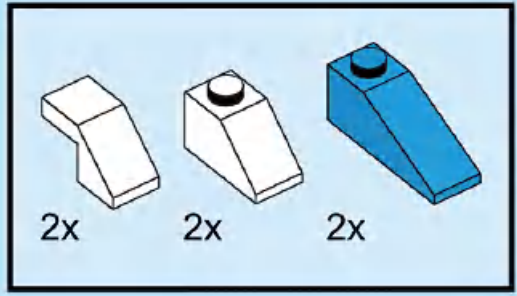


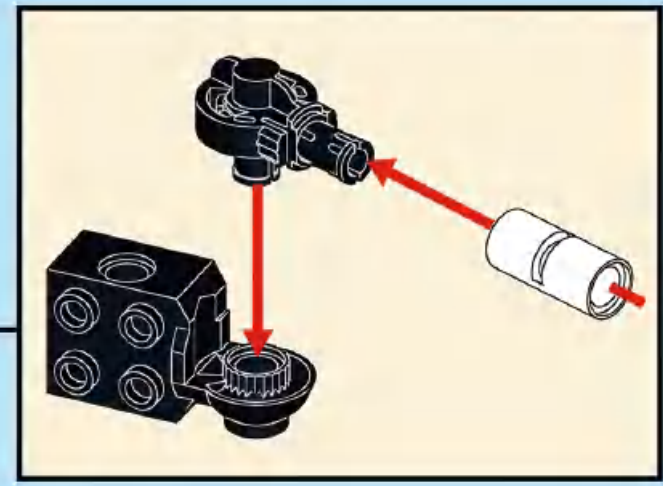
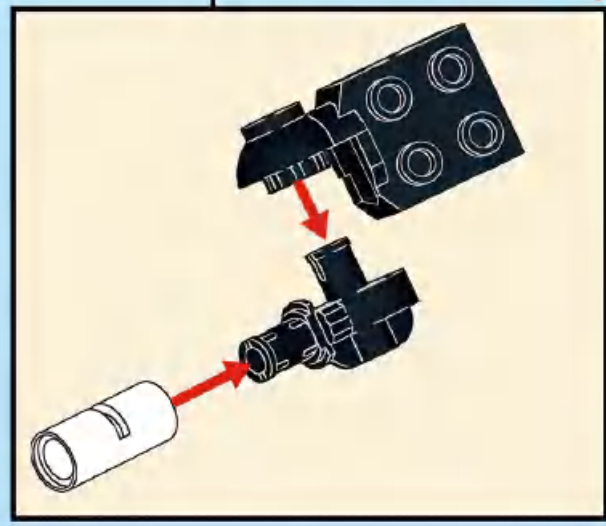
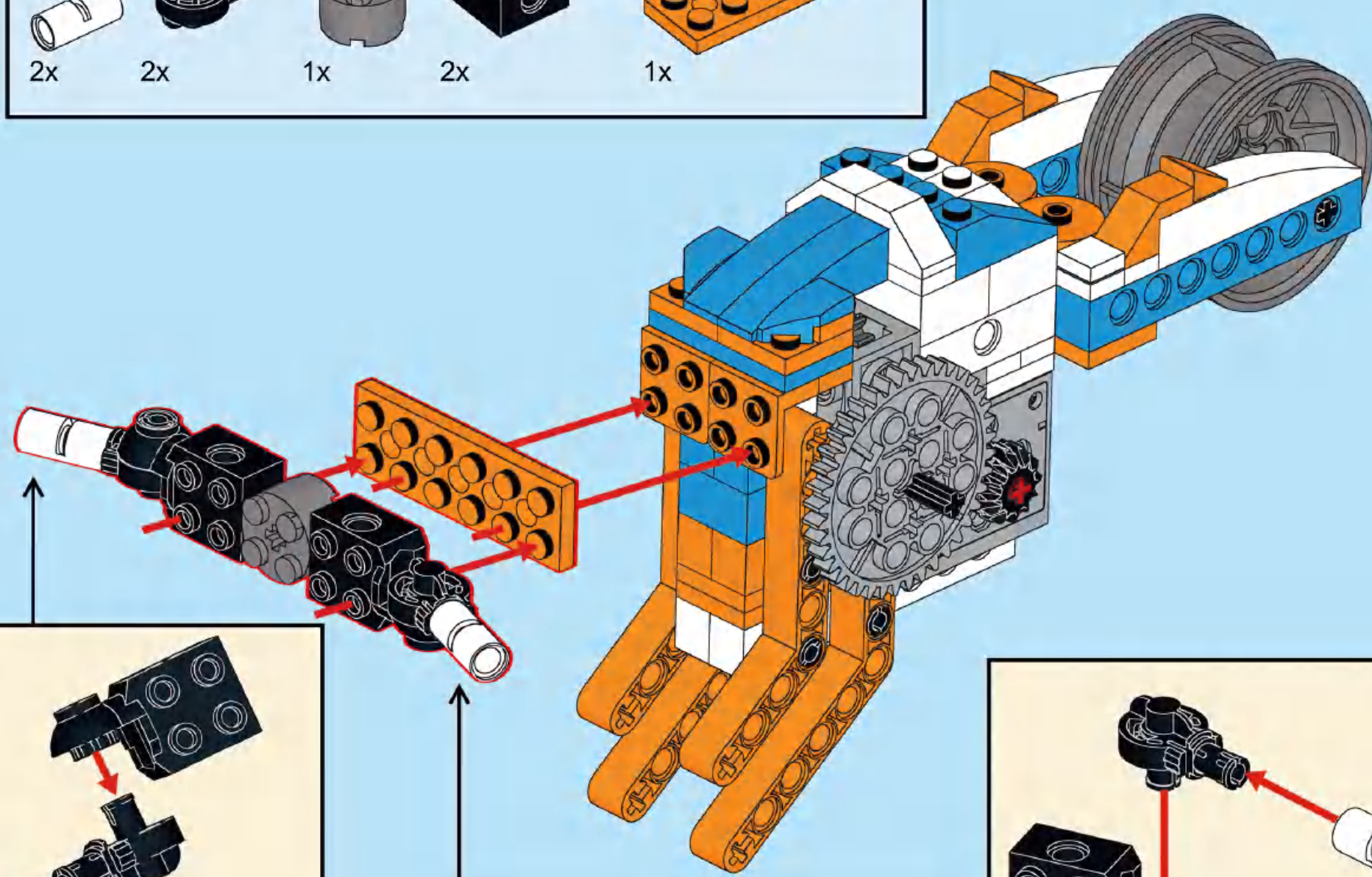
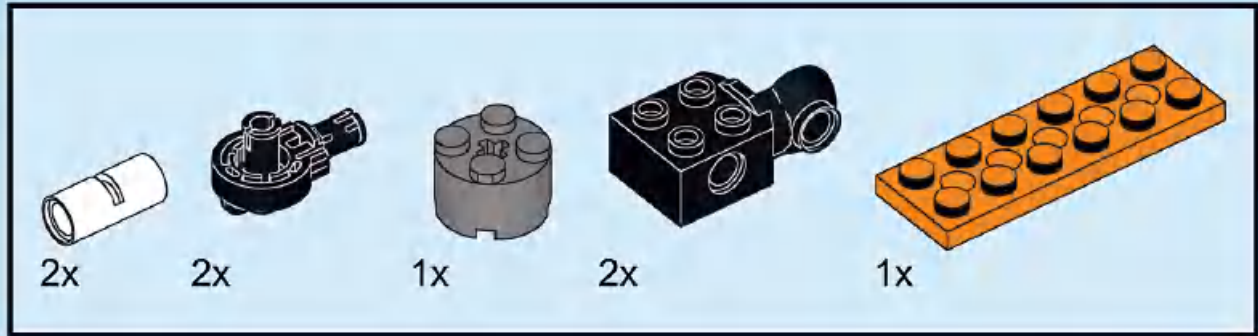
# 26





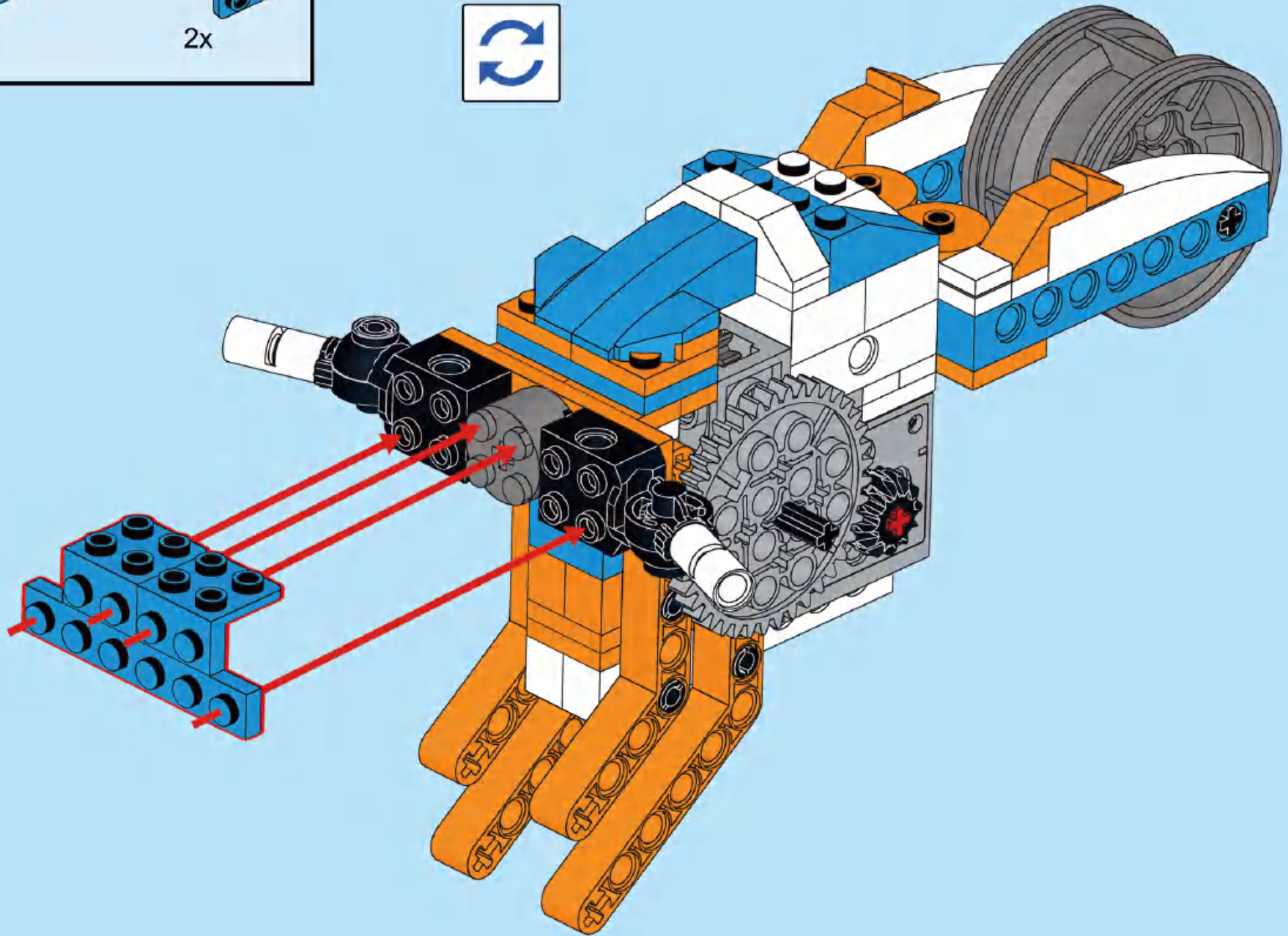
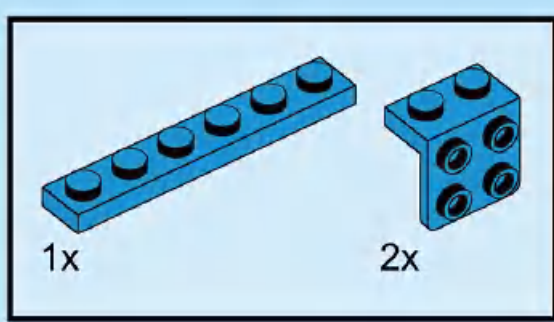
# 27



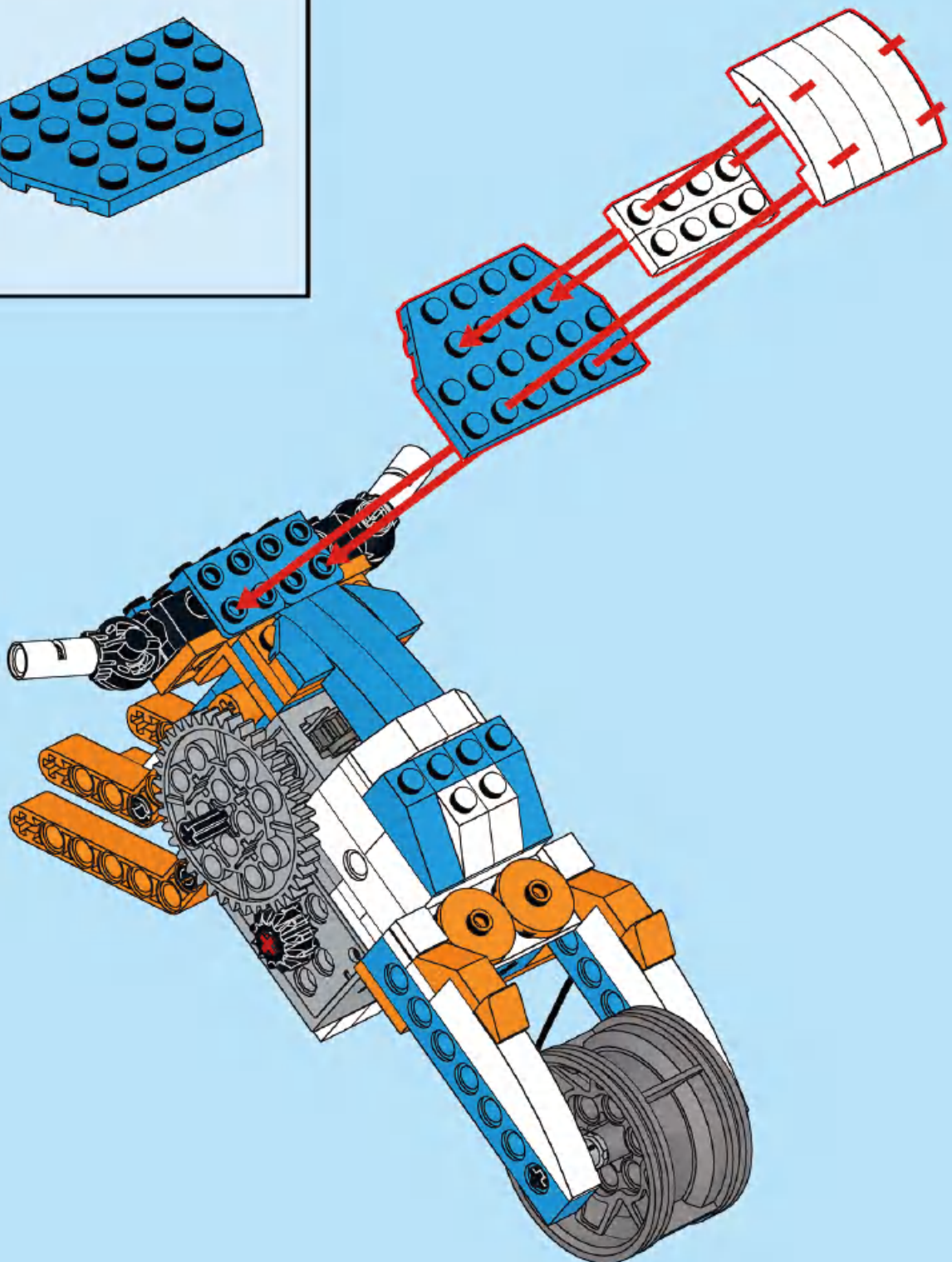
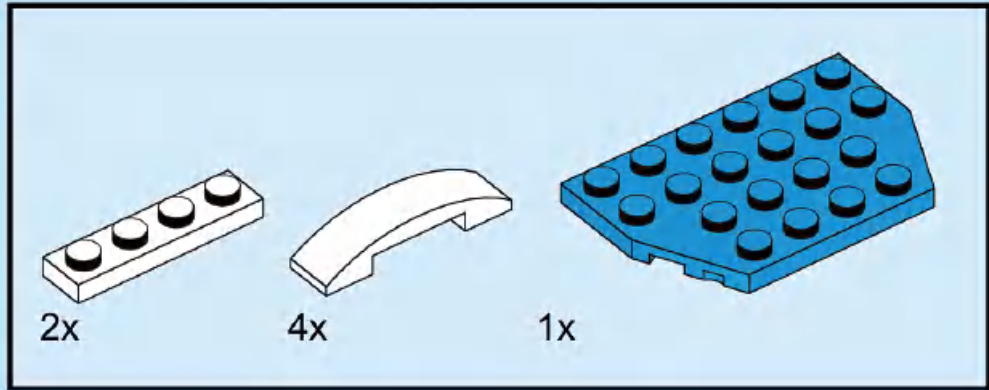




# 29

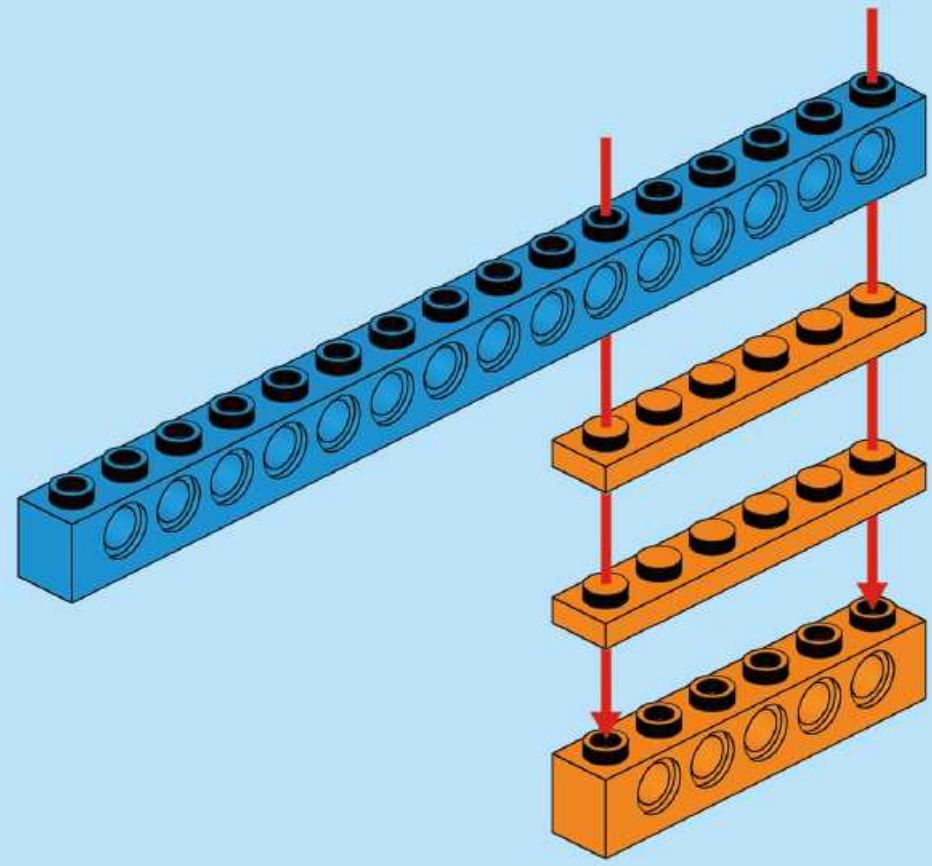
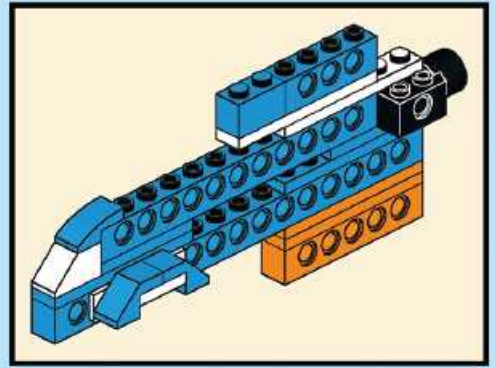
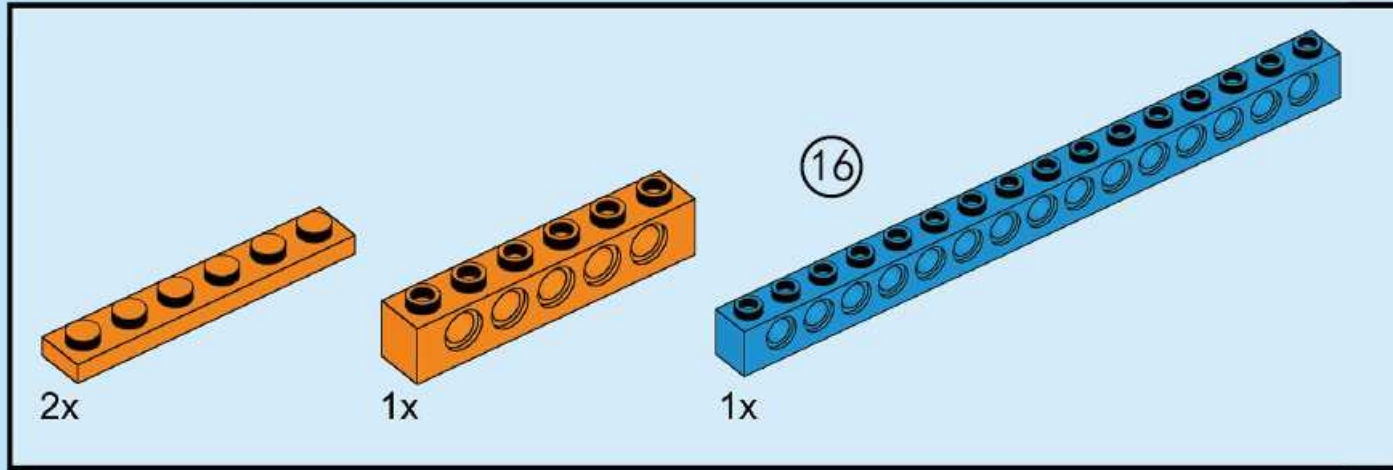


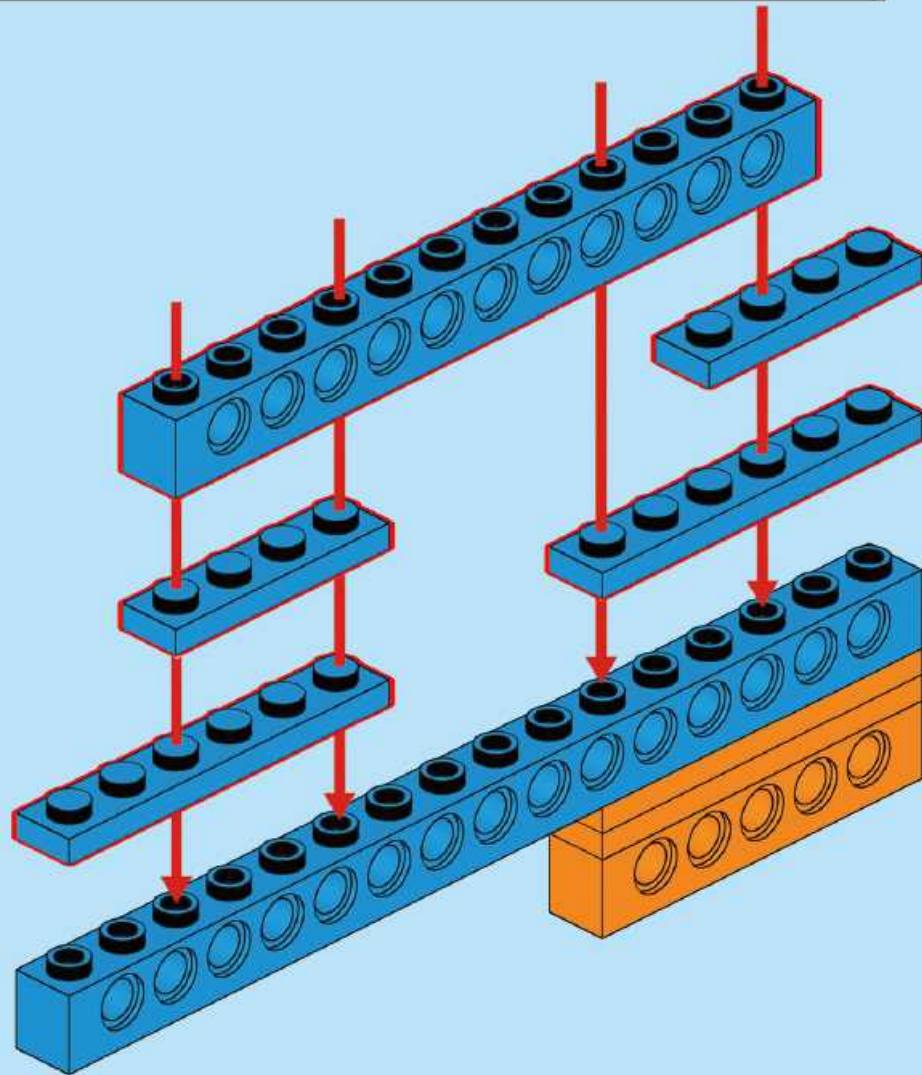
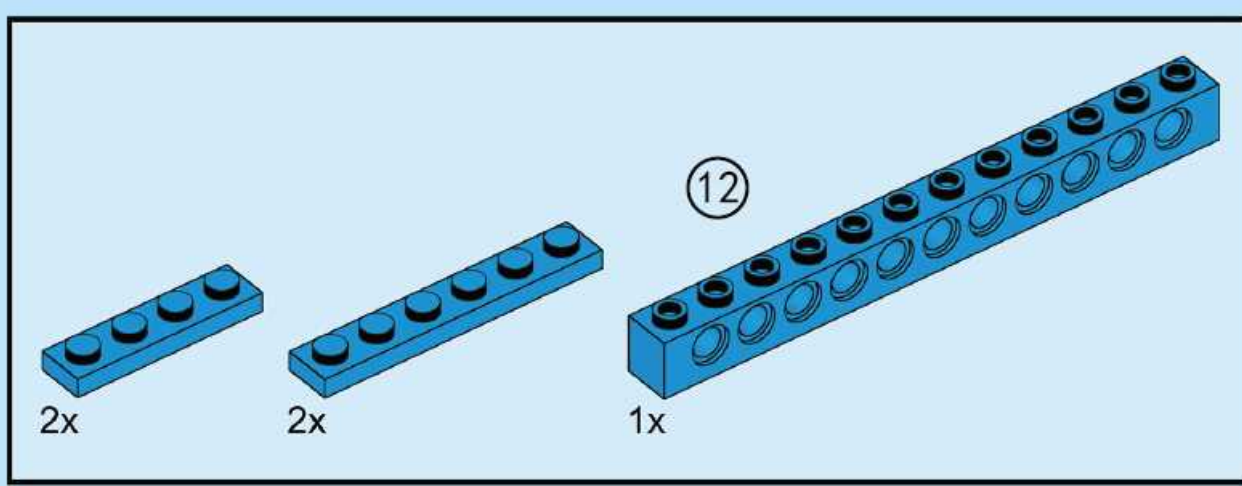
# 30



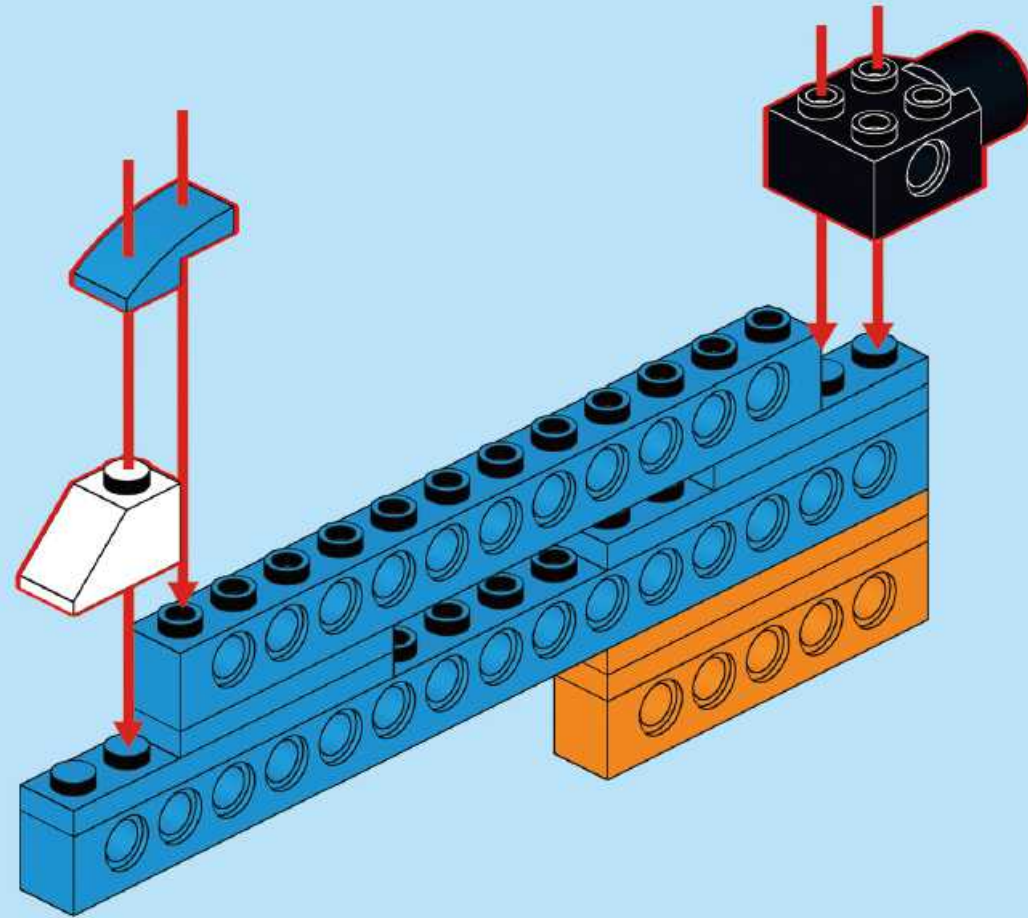
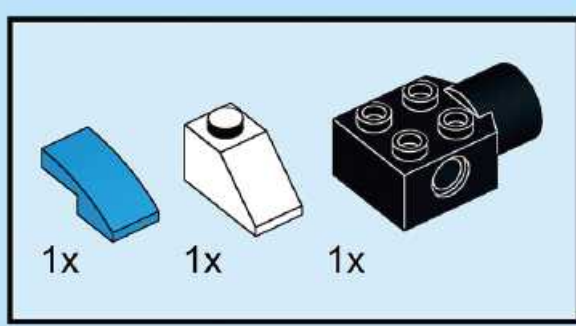


# 31



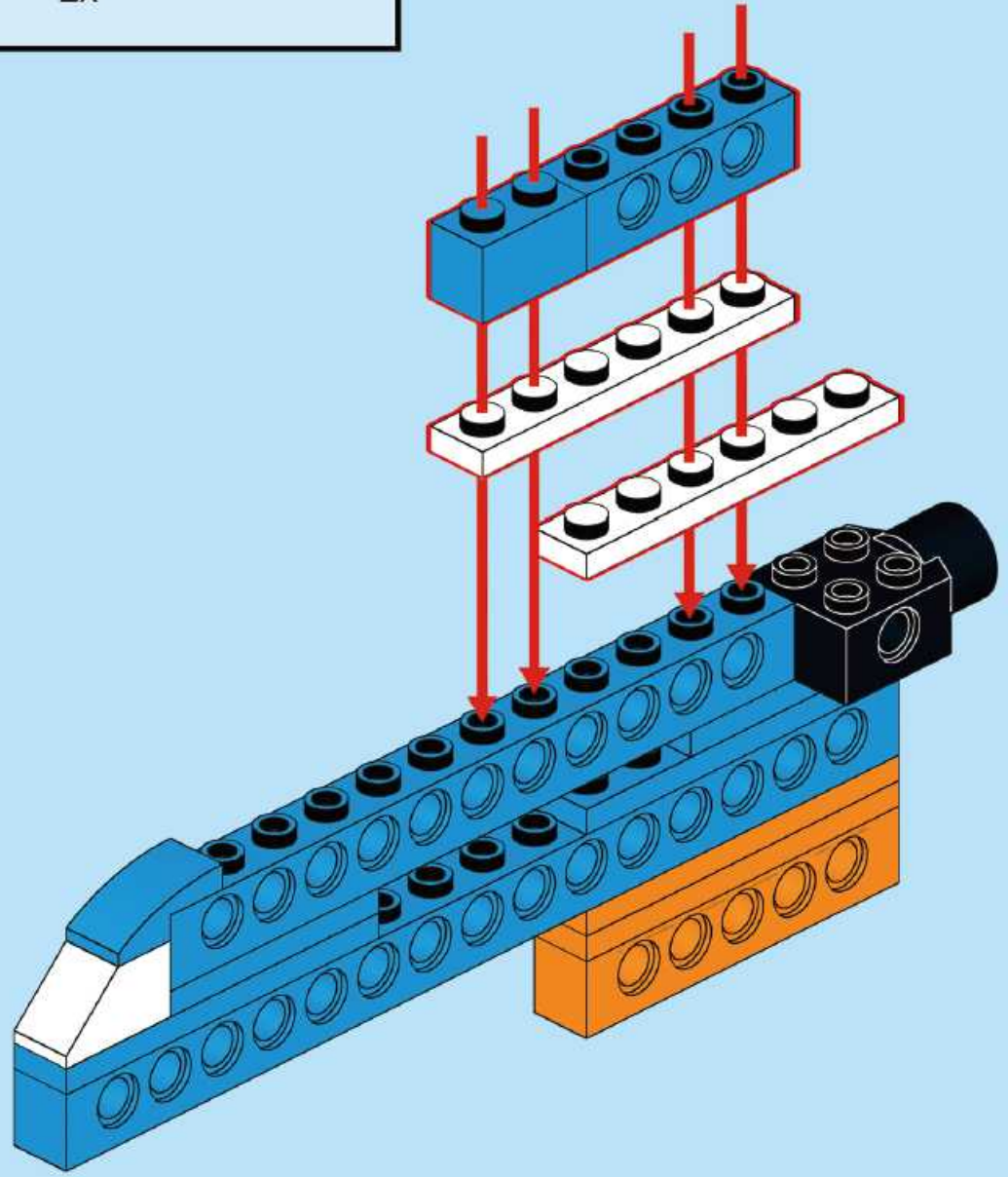
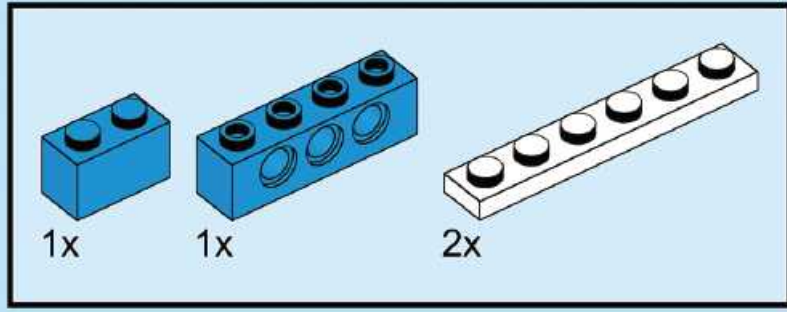


# 33



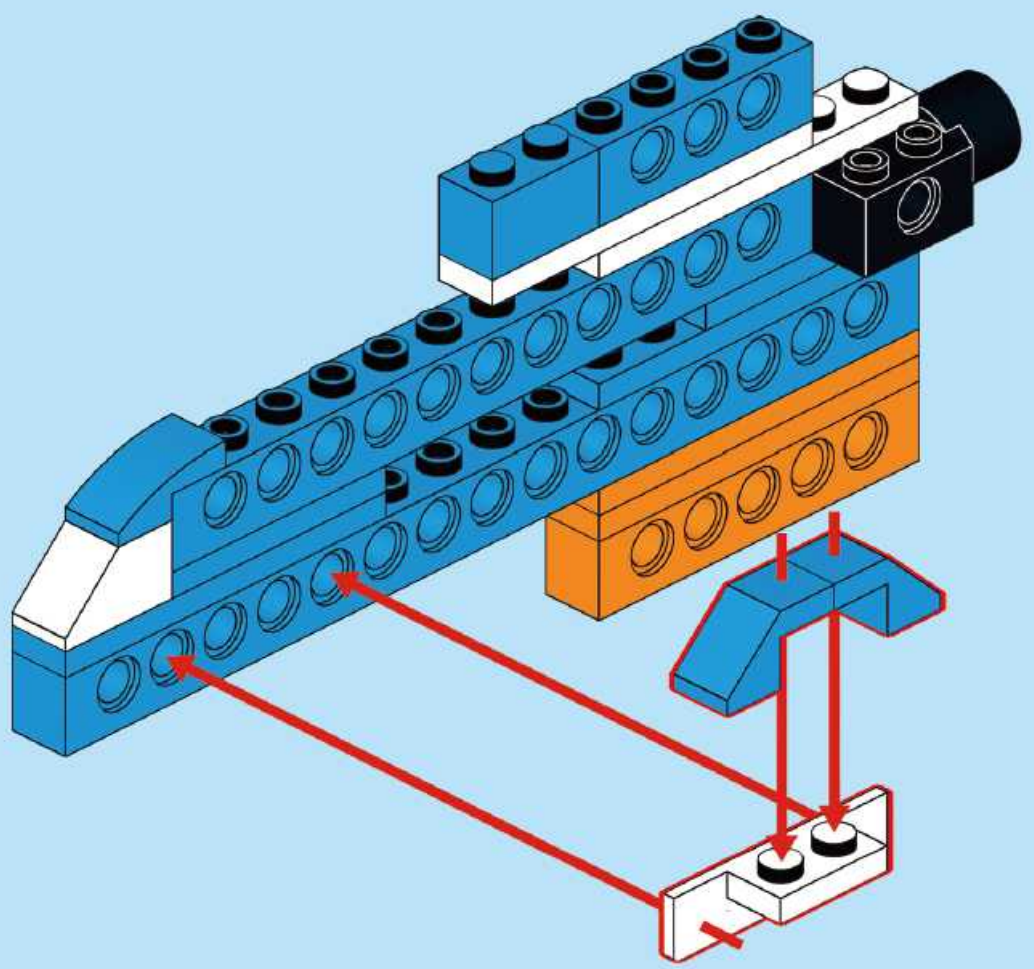
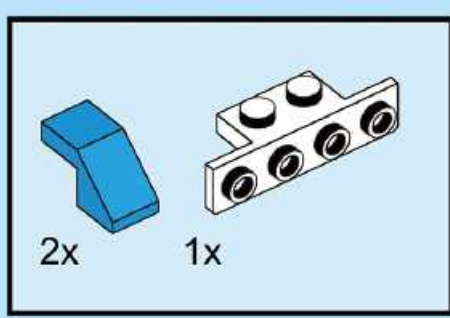


# 34

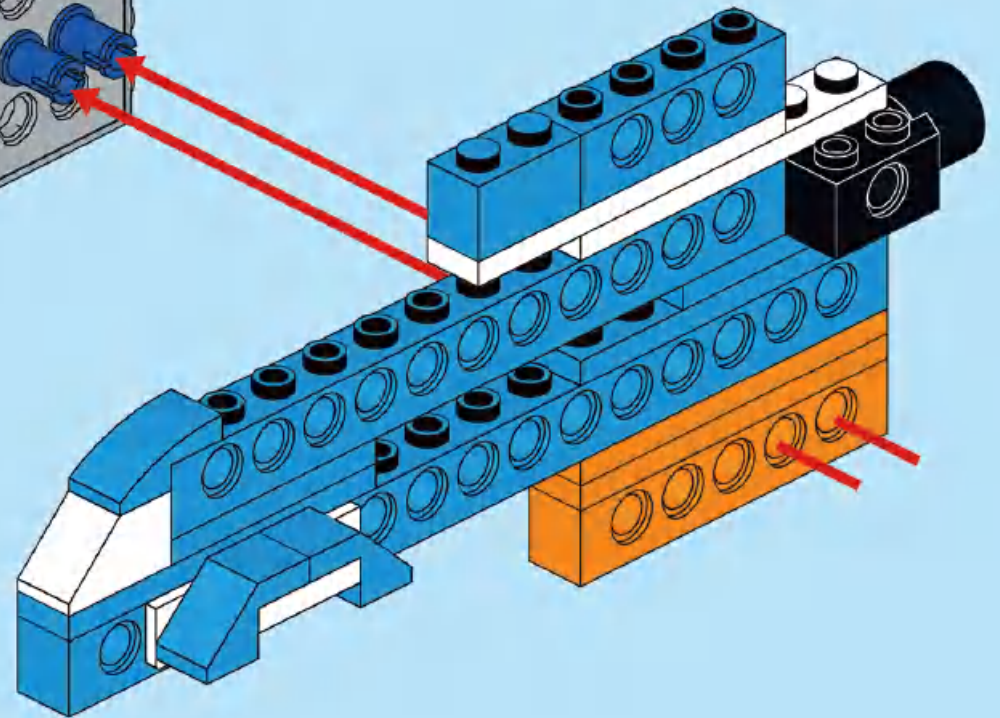
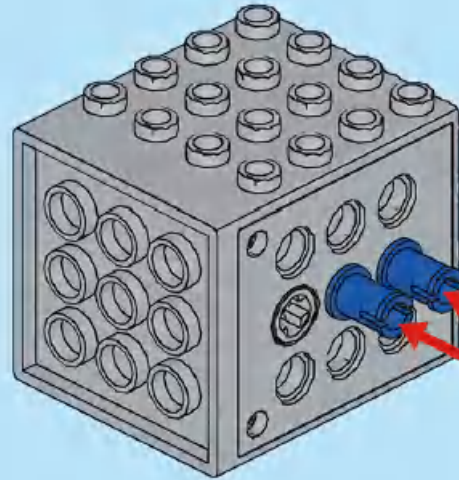
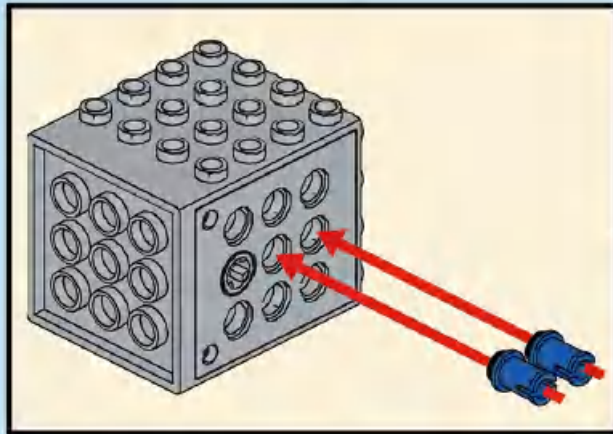
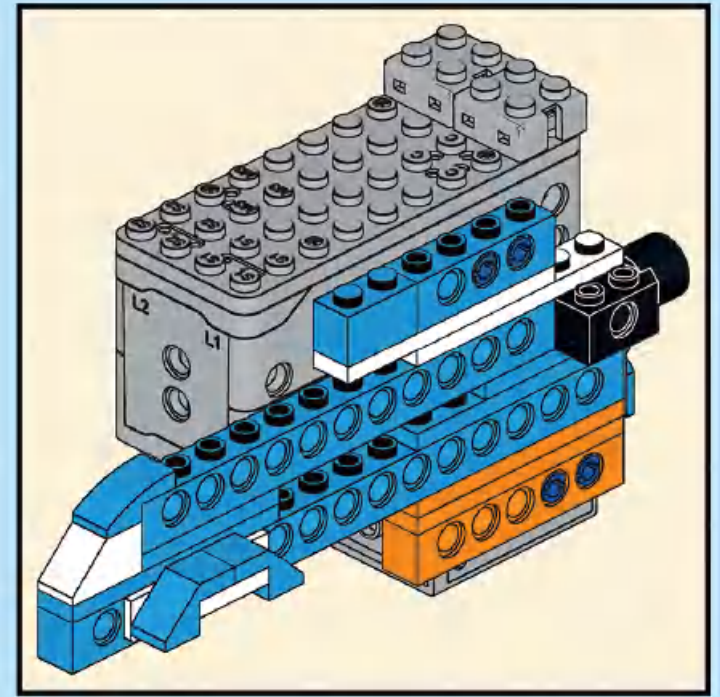
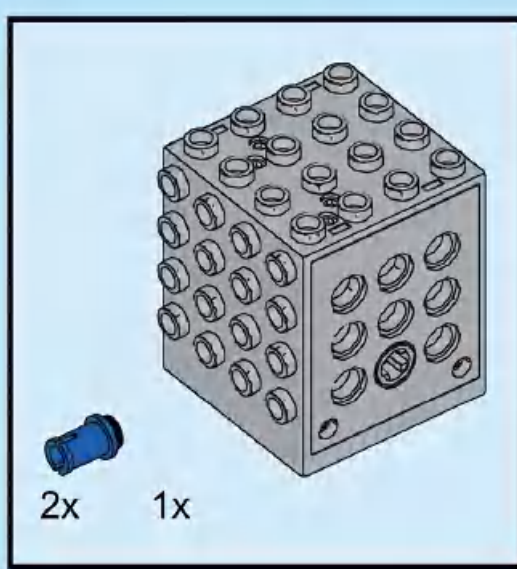




# 35

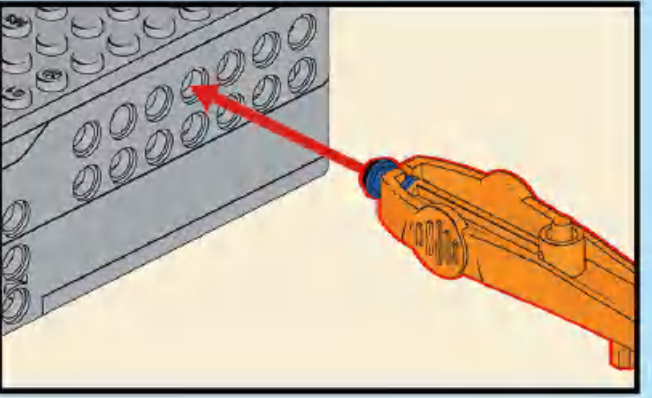
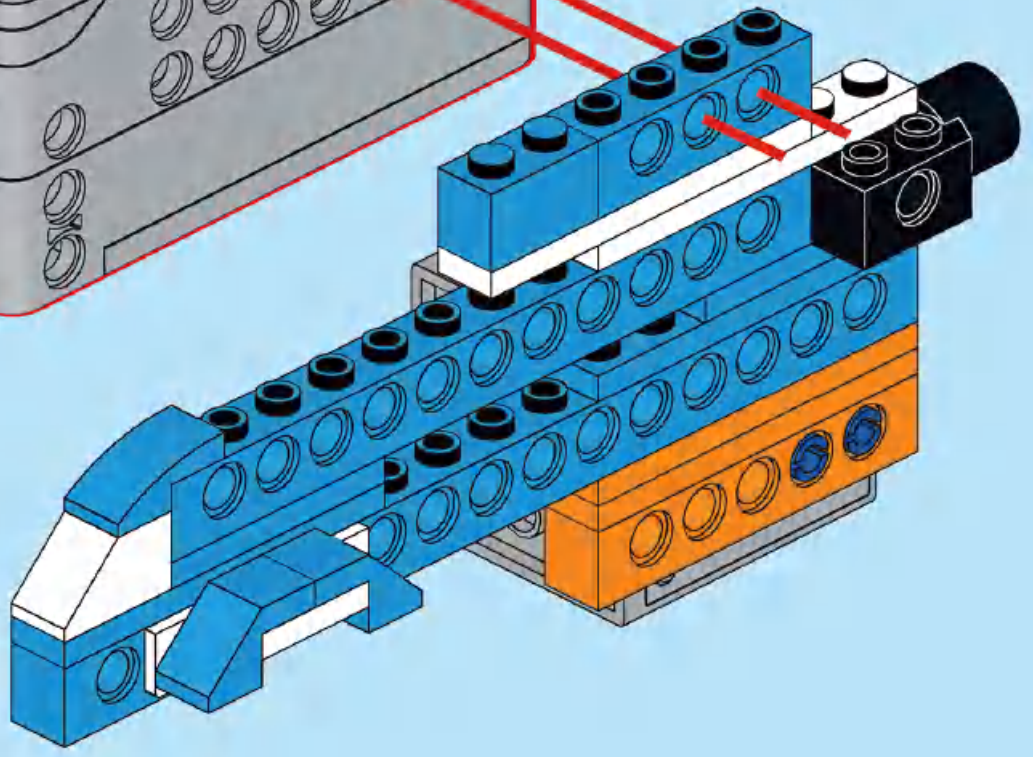
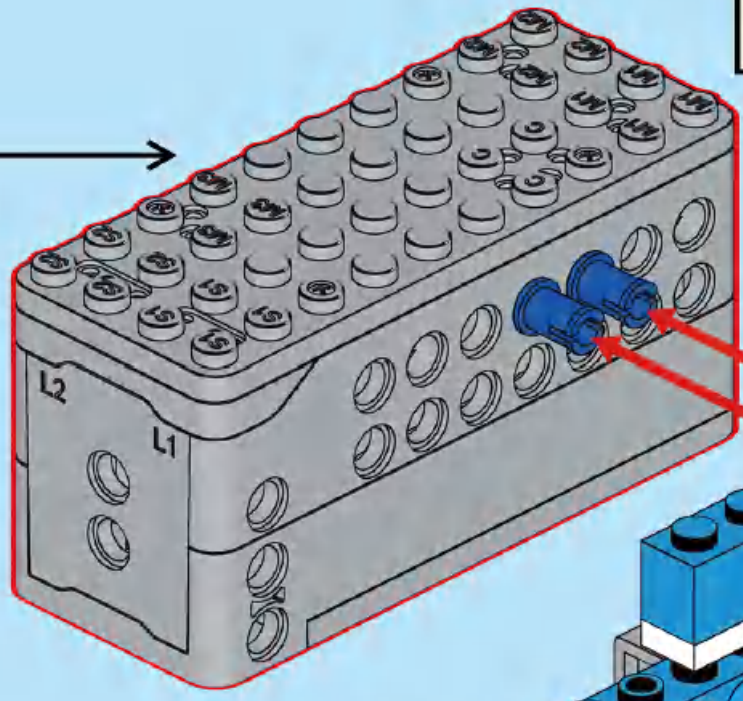
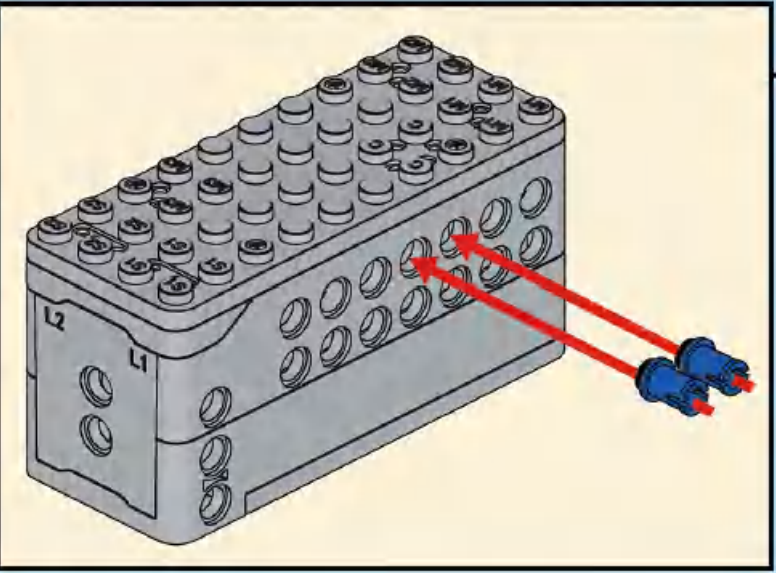
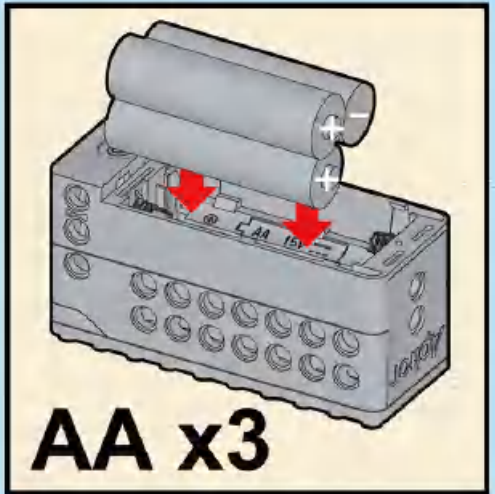
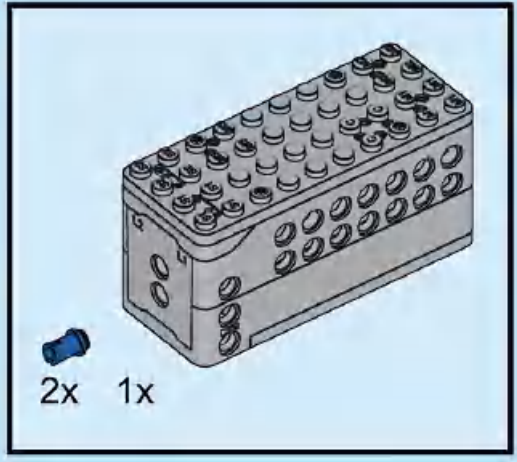


# 36



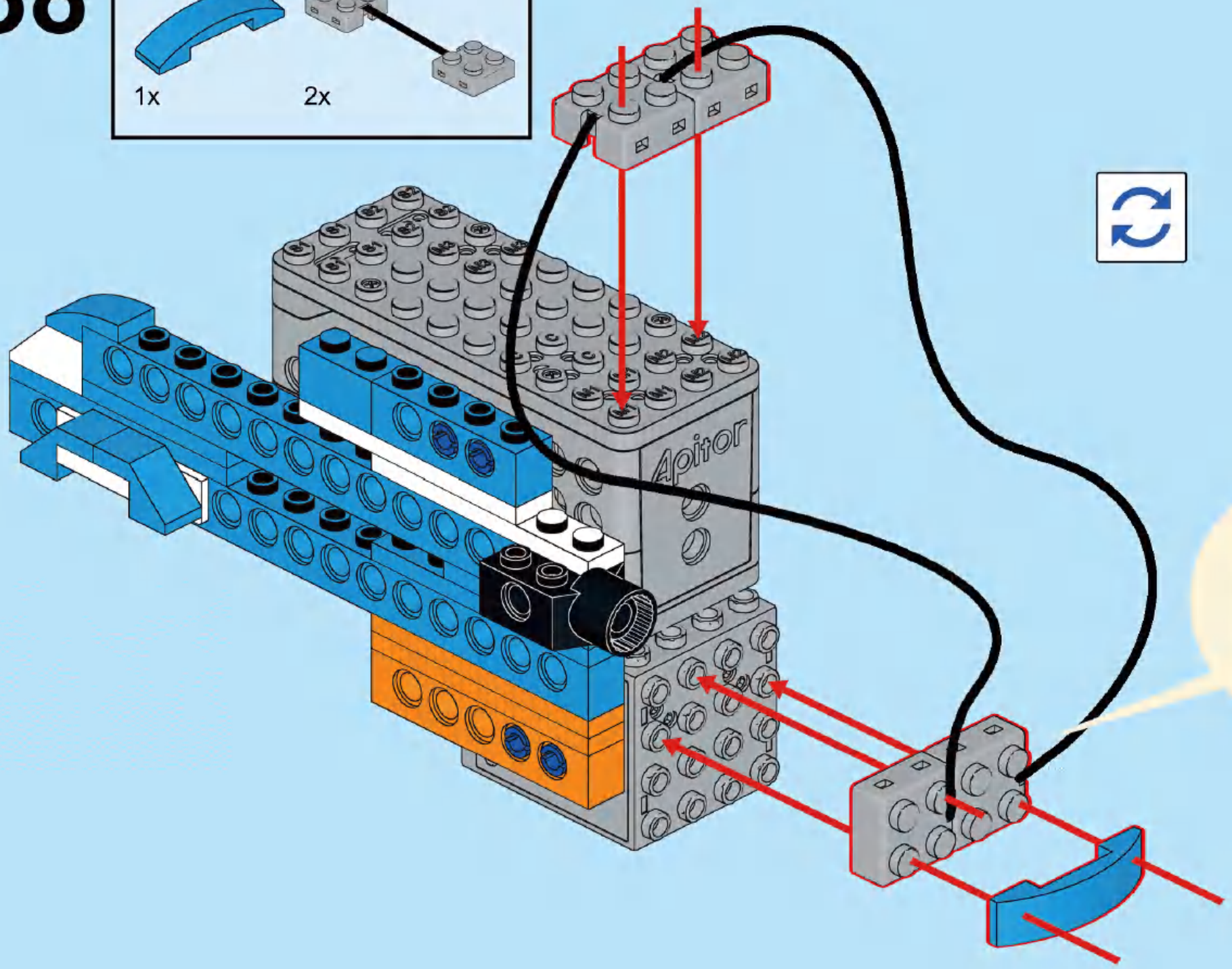
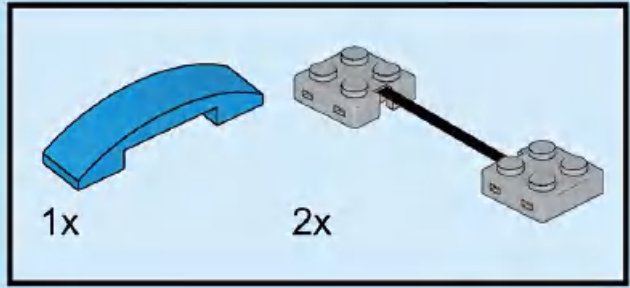


# 37



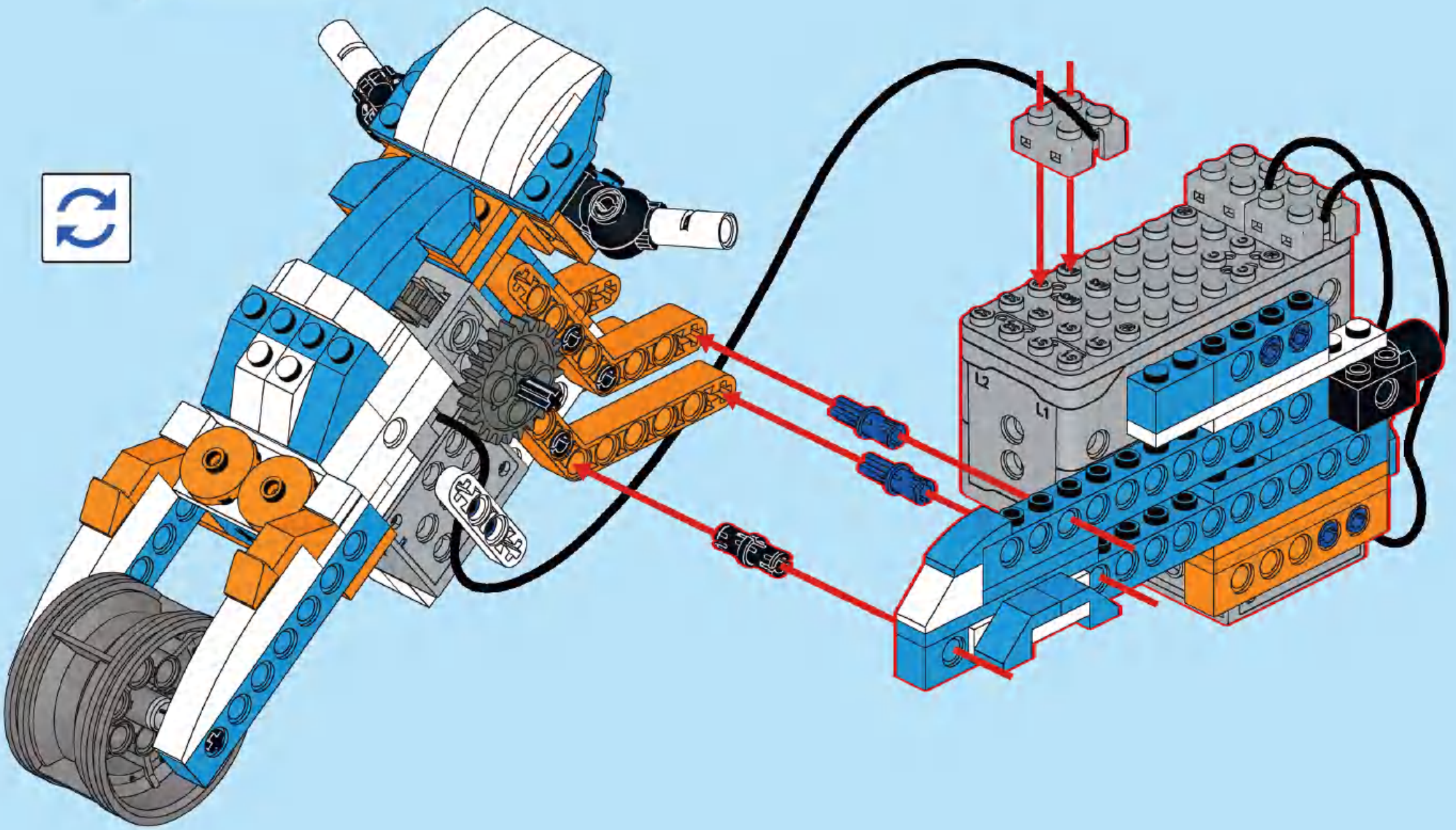


# 38



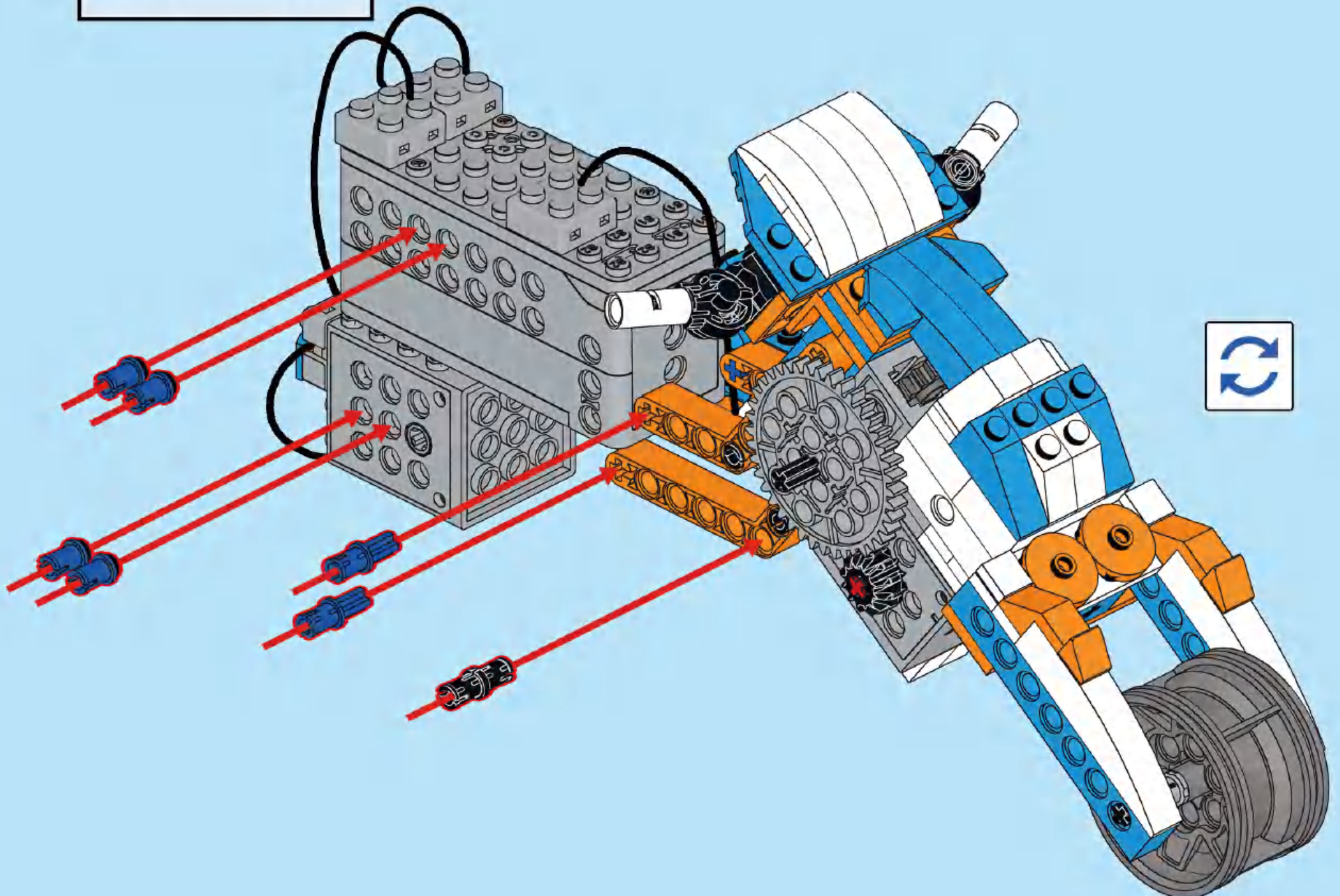


# 39



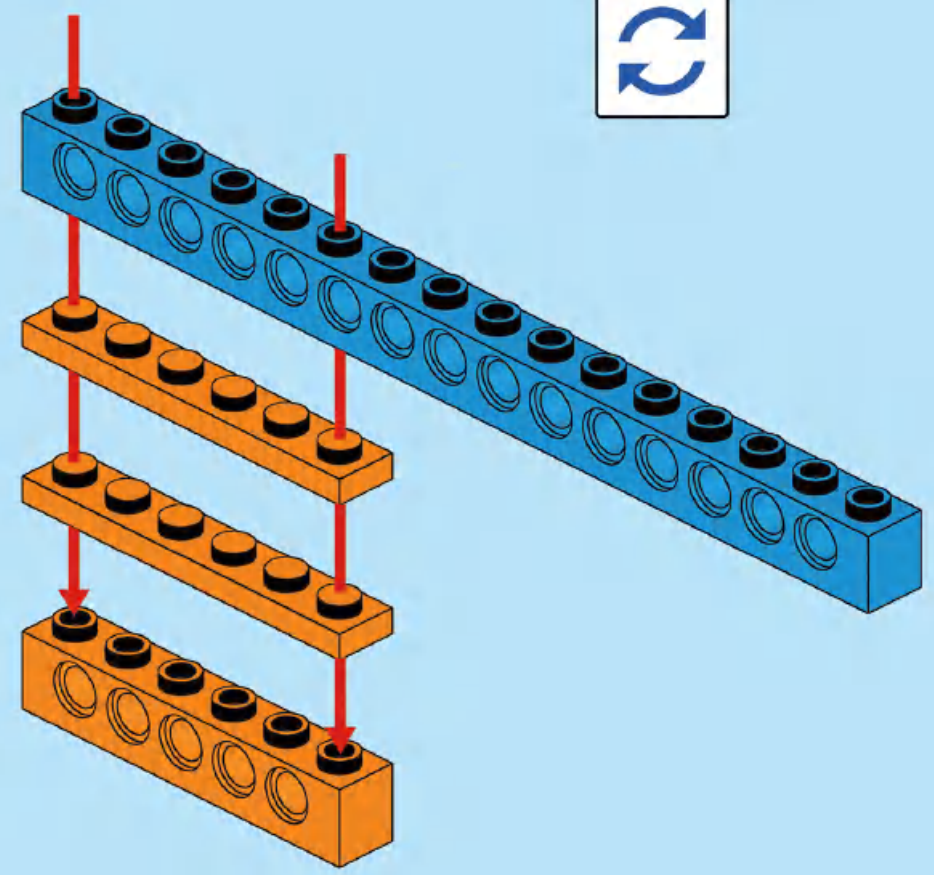
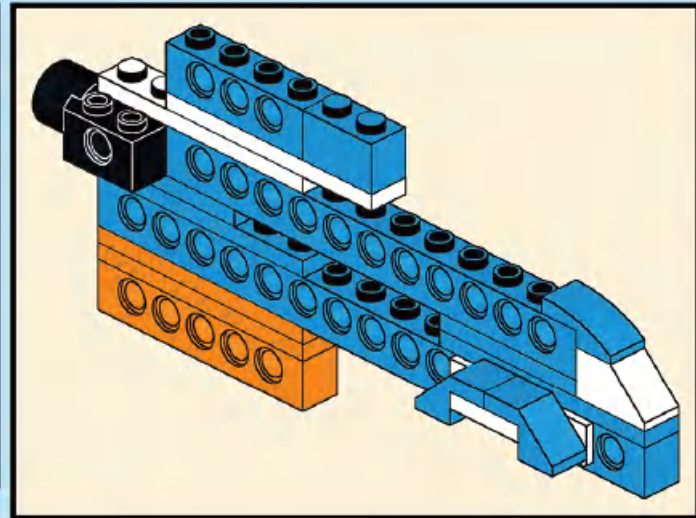
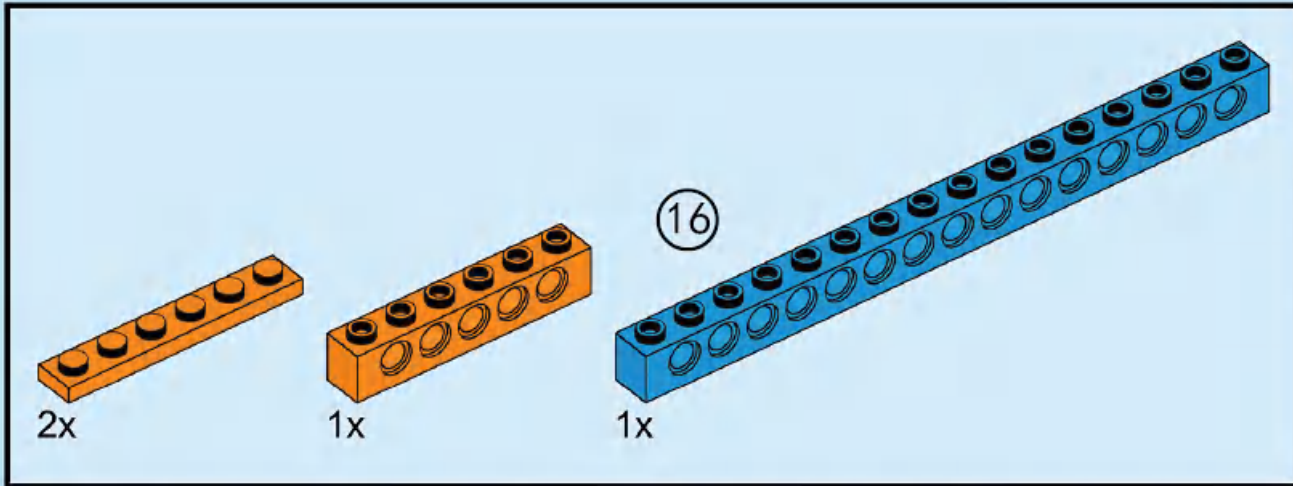


# 40

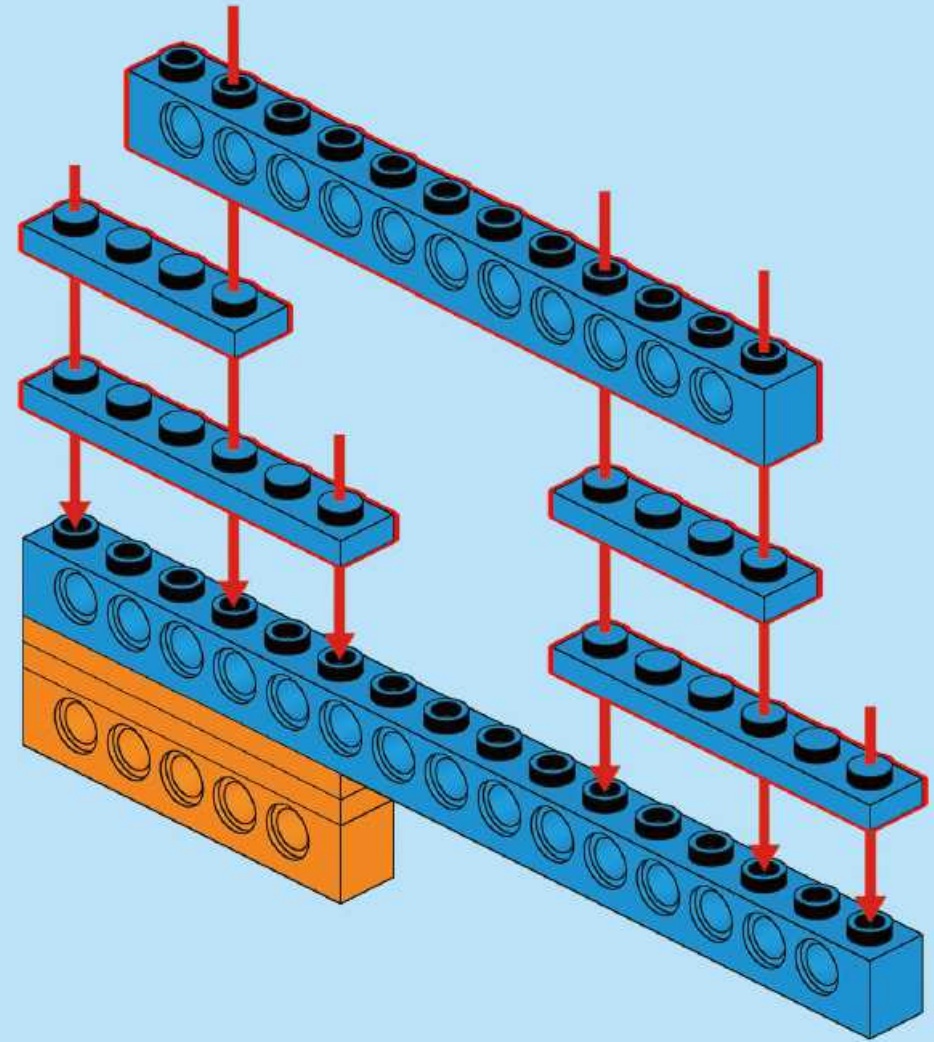
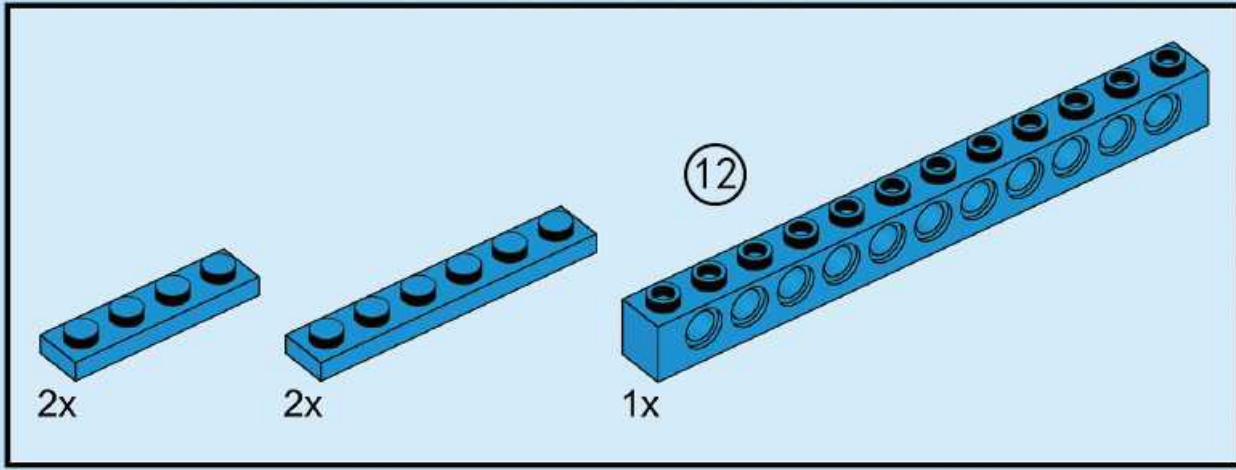




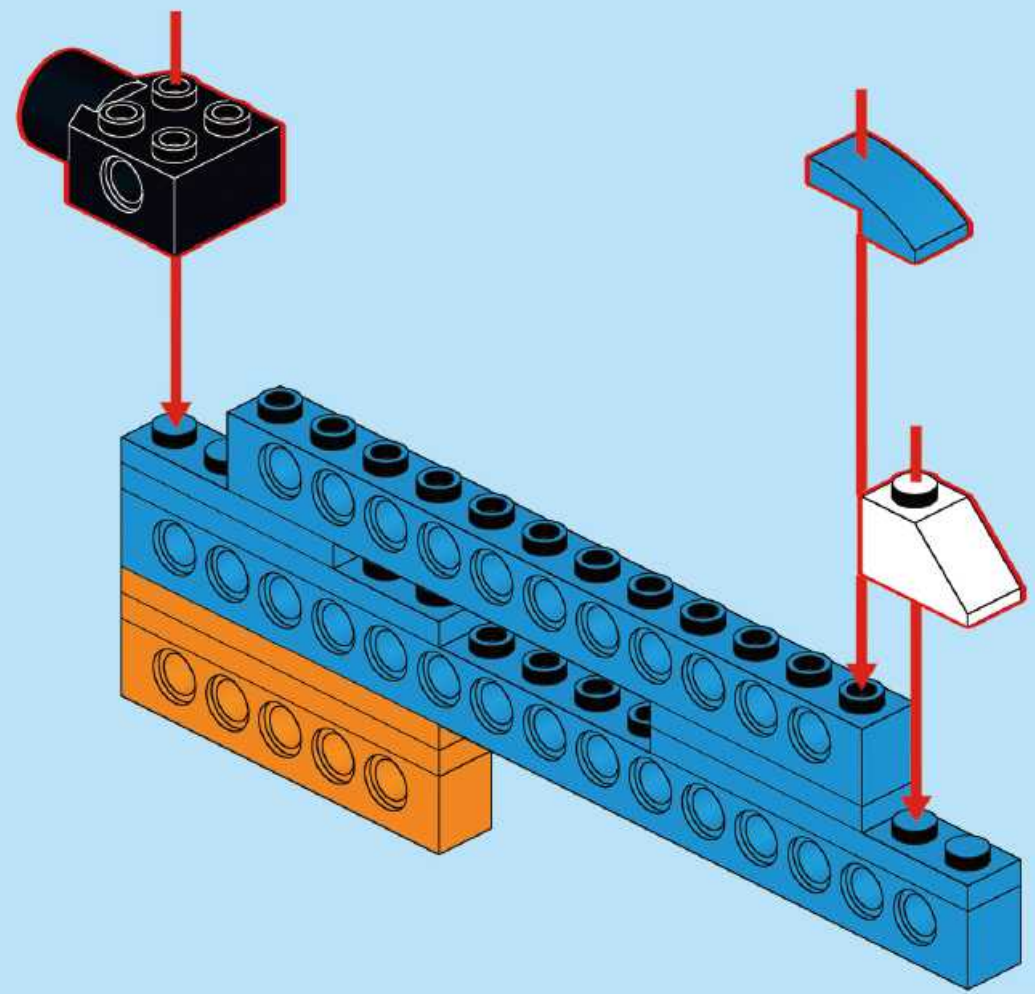
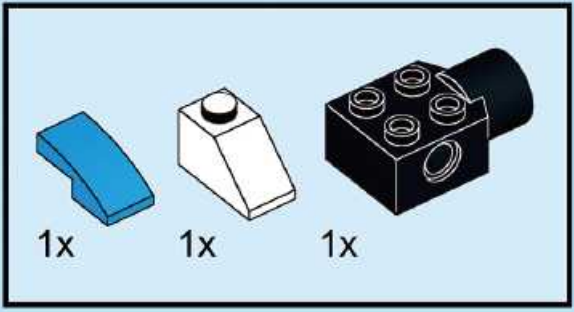
# 41



# 42

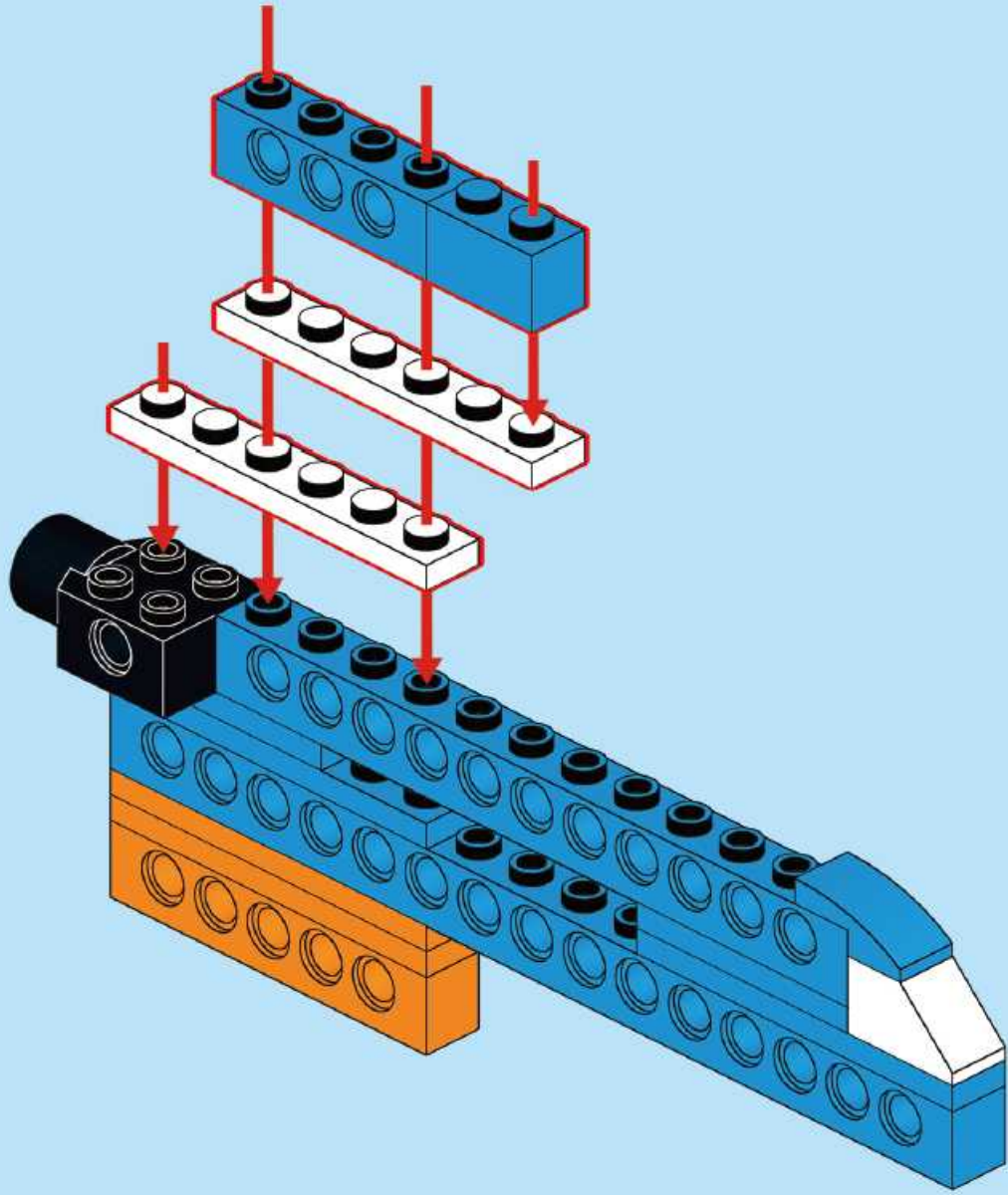
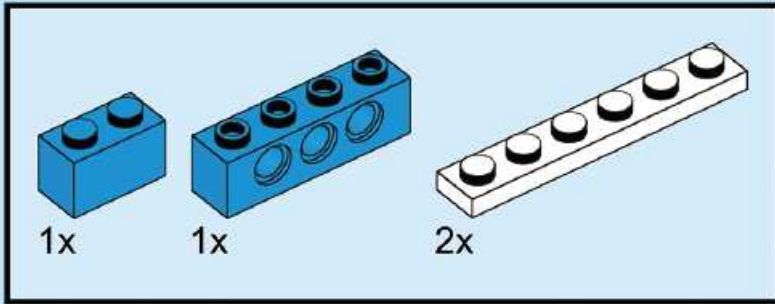


# 43

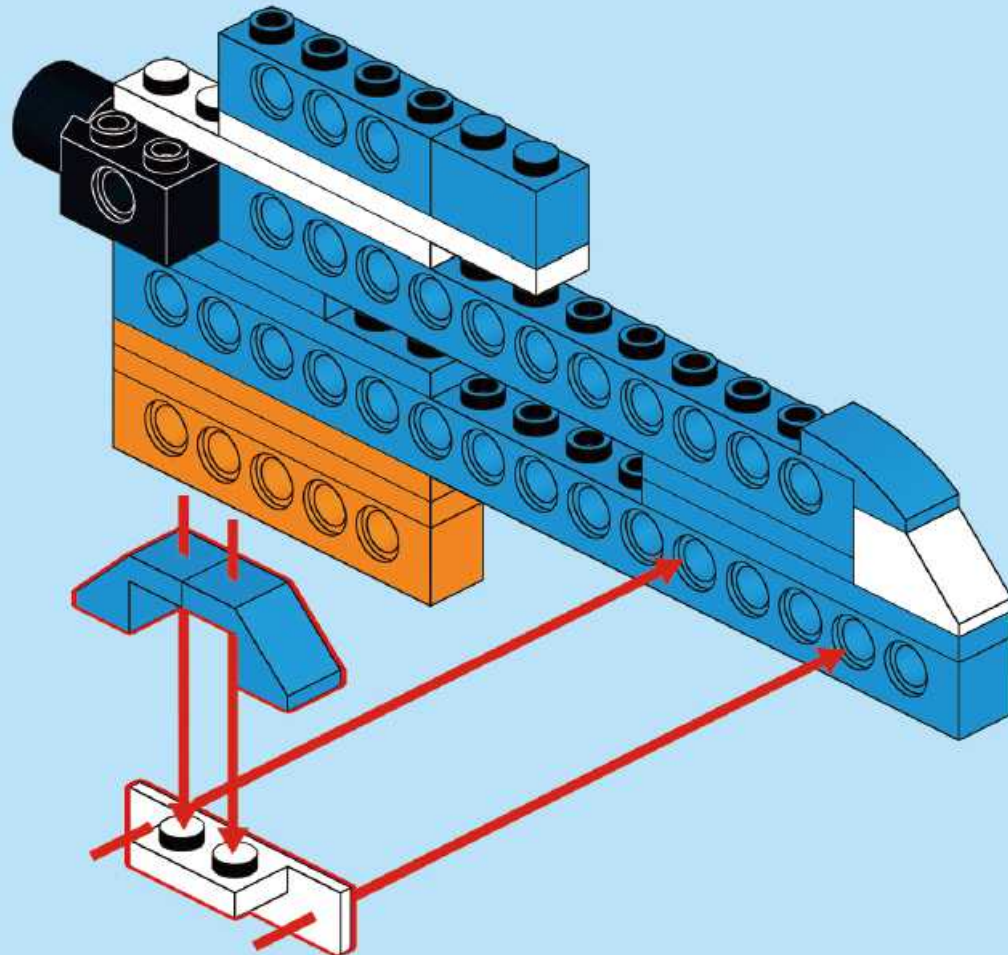
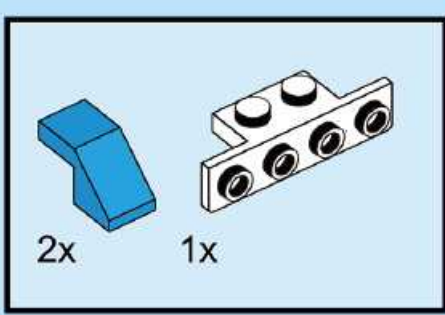




# 44

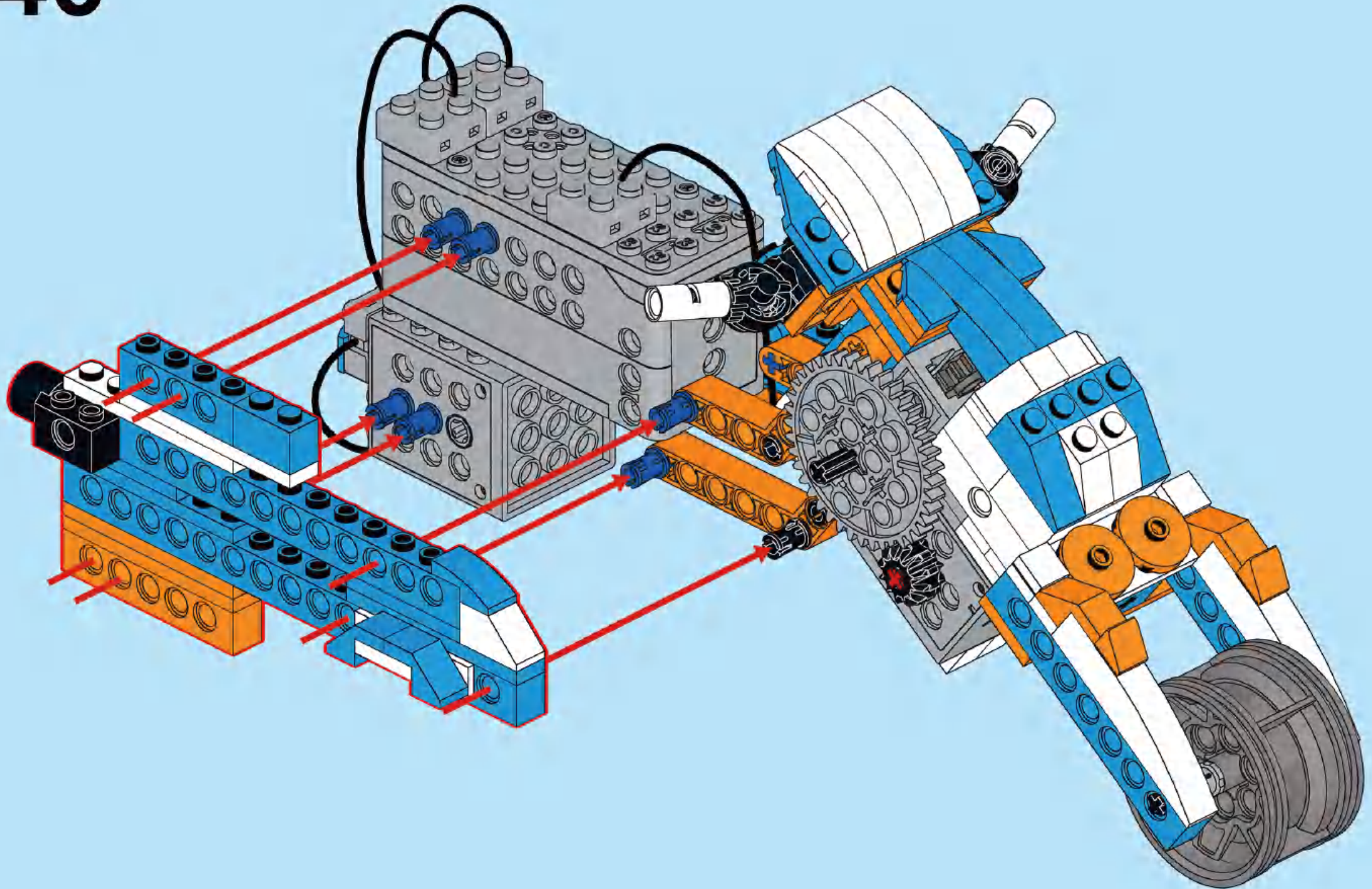


# 45



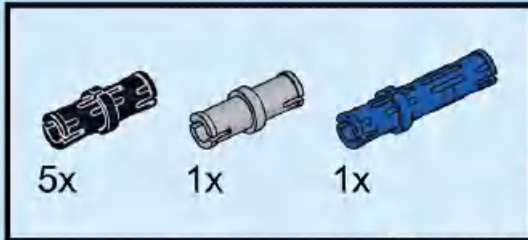


# 46



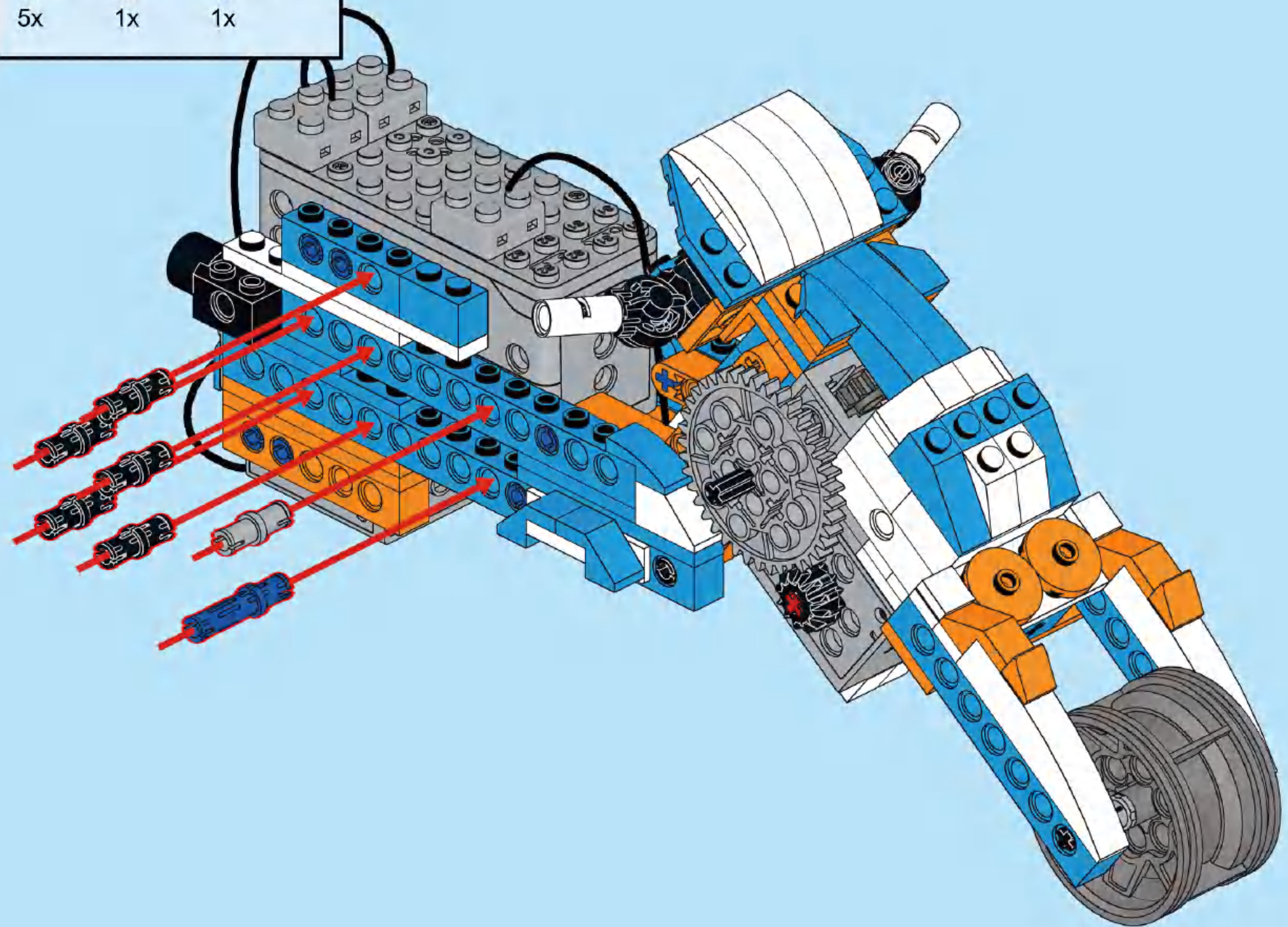


# 47

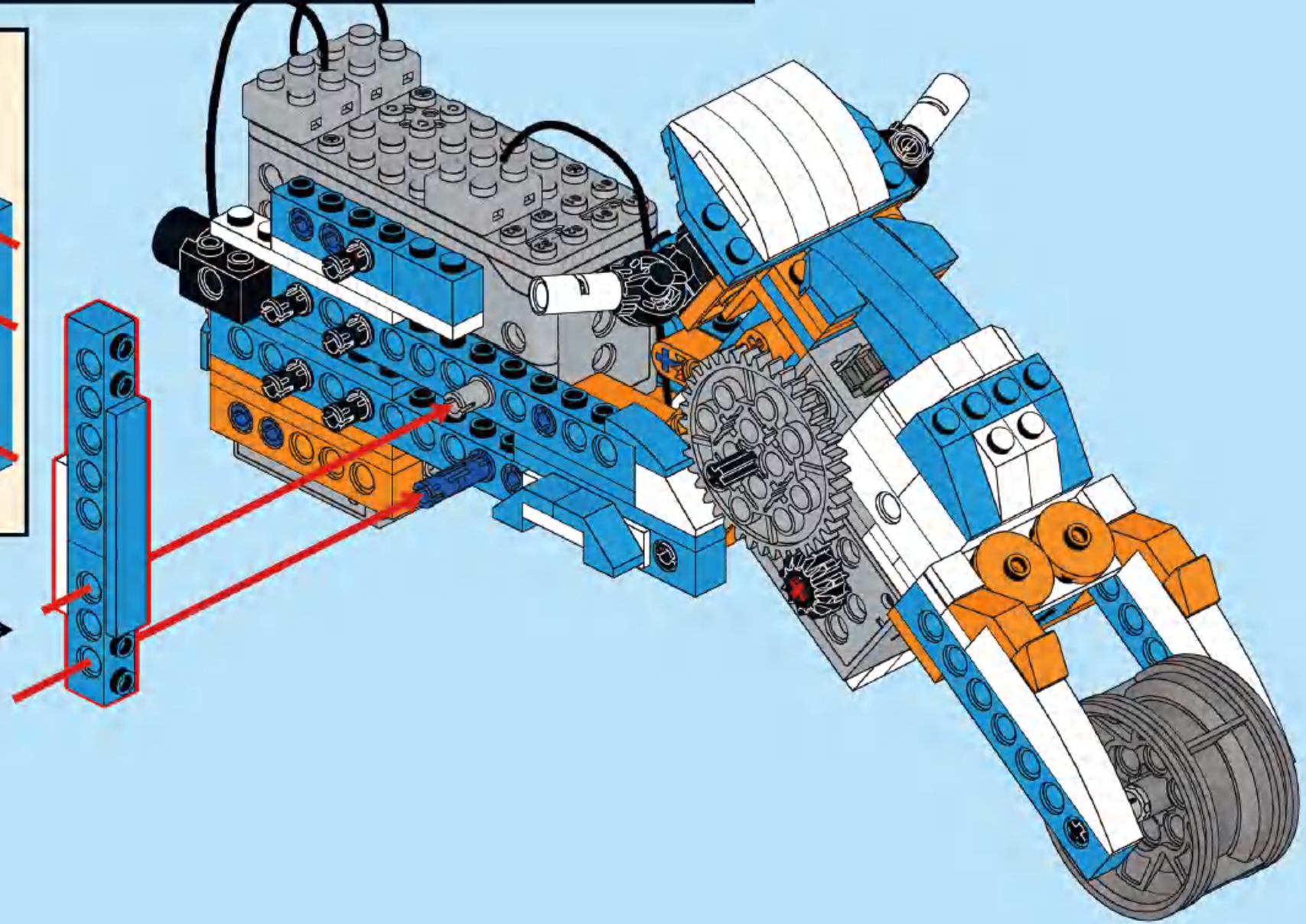
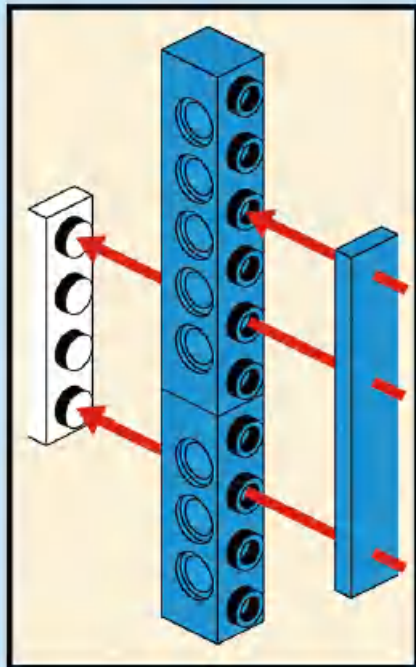
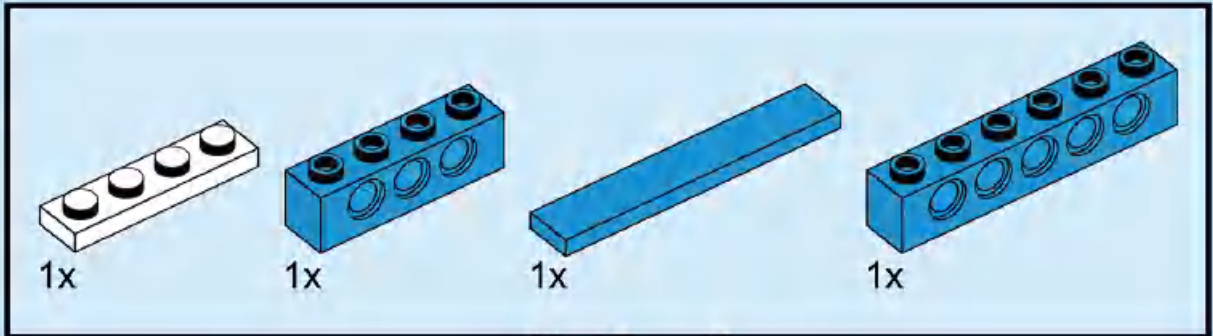


5x 1x 1x

This inset box shows the parts list for step 47. It contains three items: five black pins with a central hole, one grey pin with a central hole, and one blue pin with a central hole. Below each item is its quantity: '5x', '1x', and '1x' respectively.

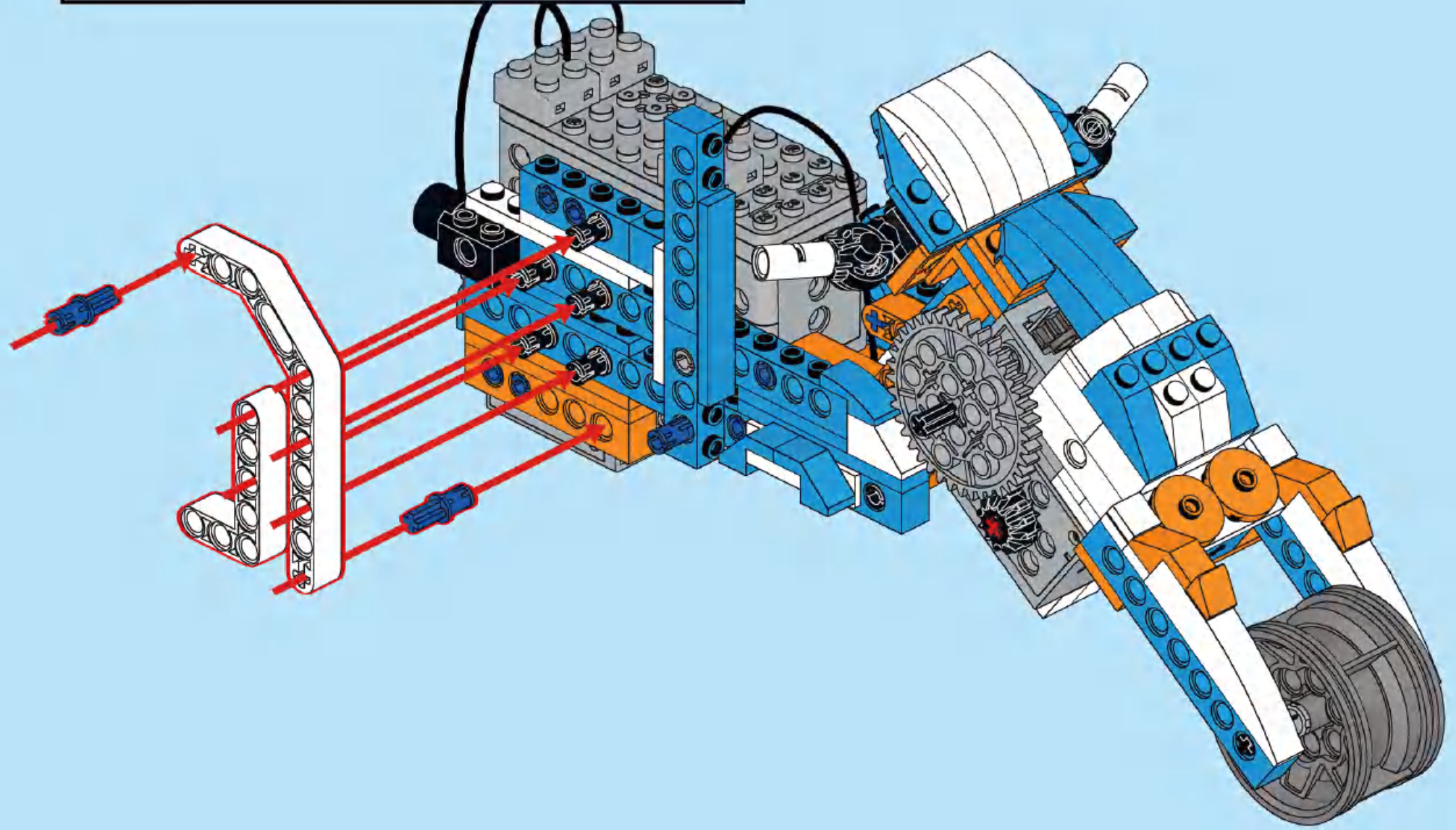
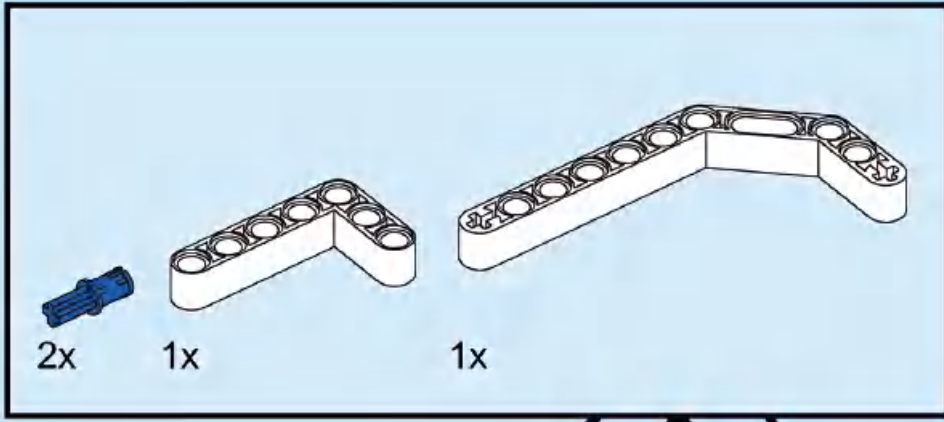






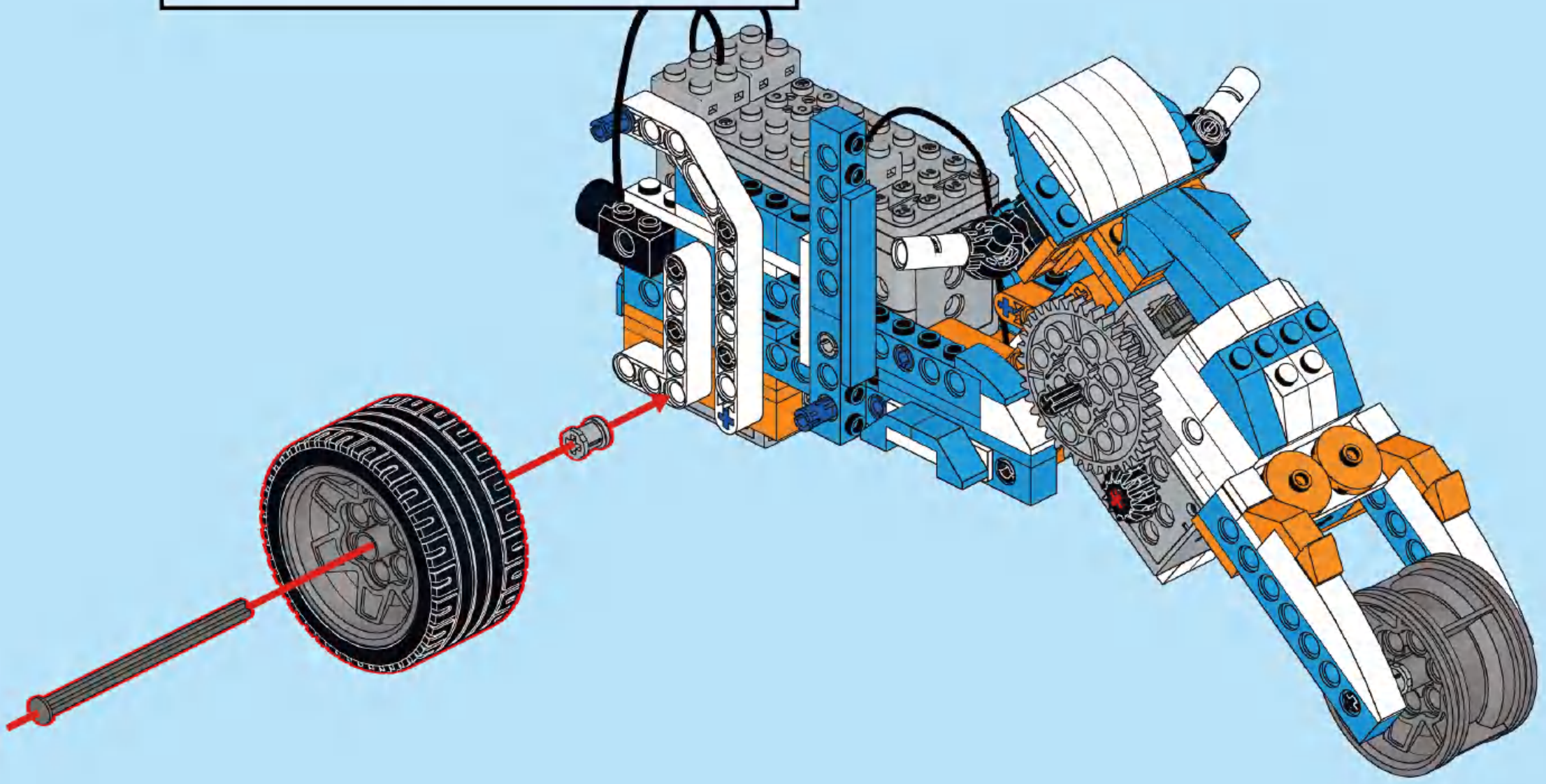
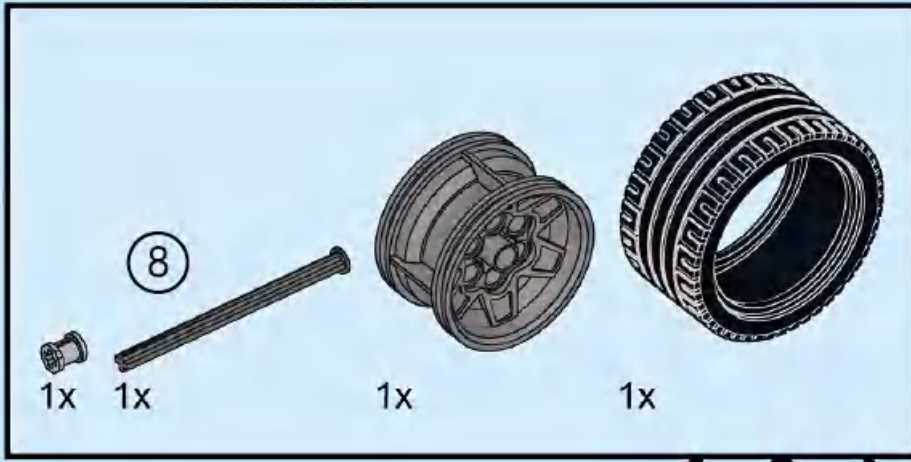


# 49



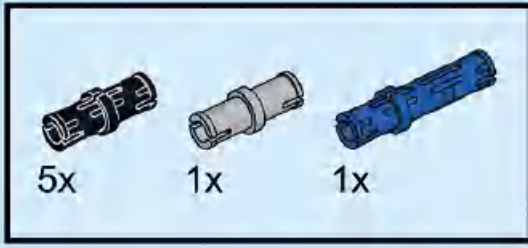


# 50



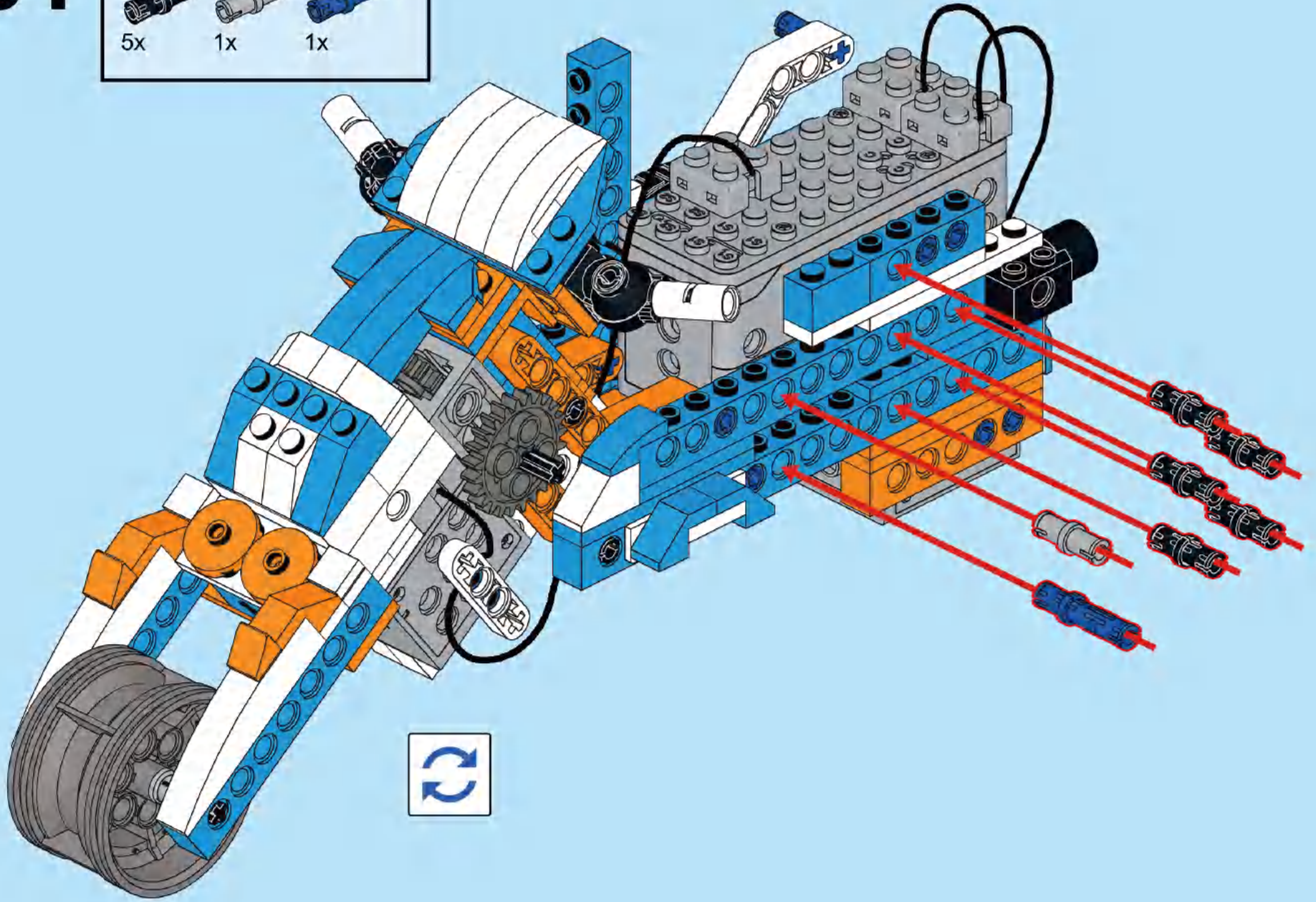


# 51

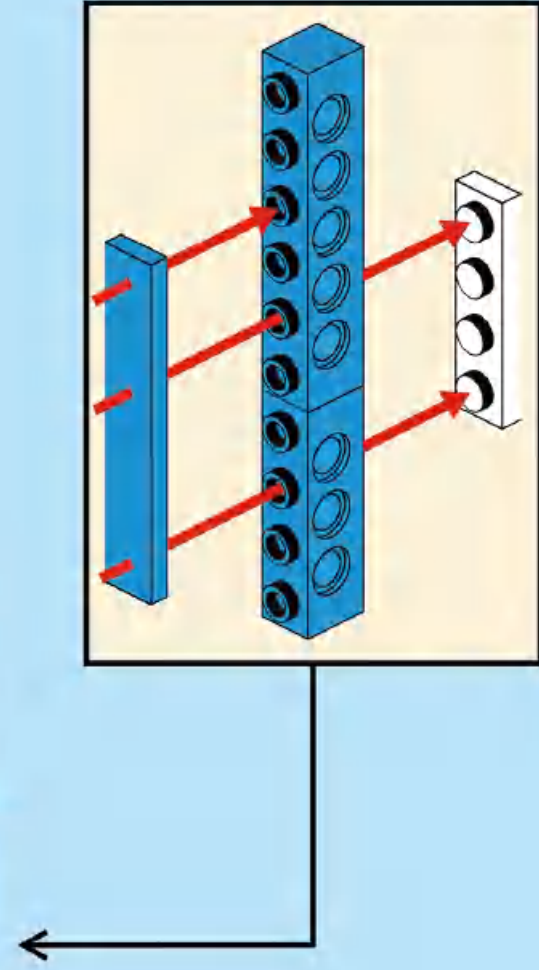
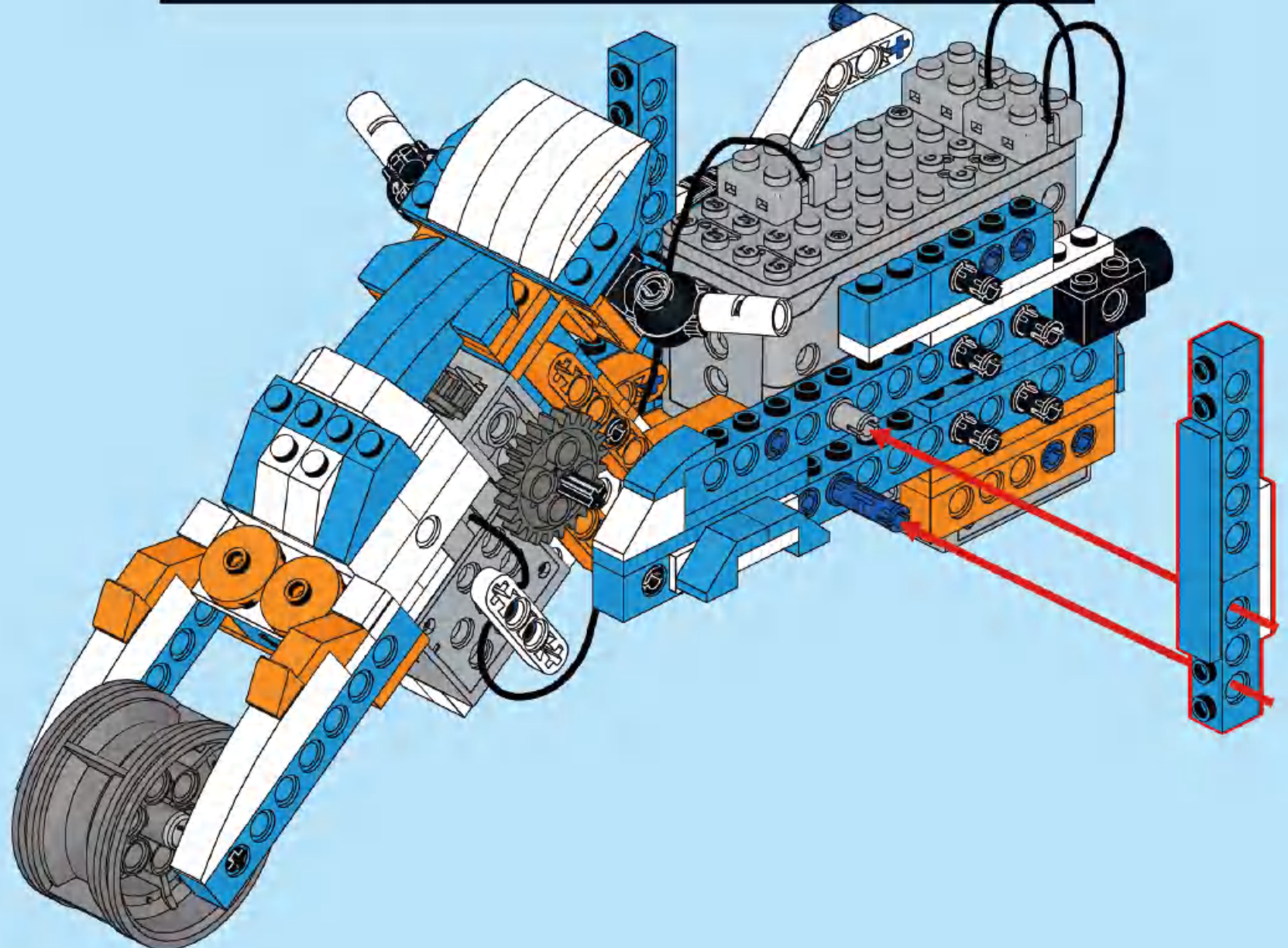
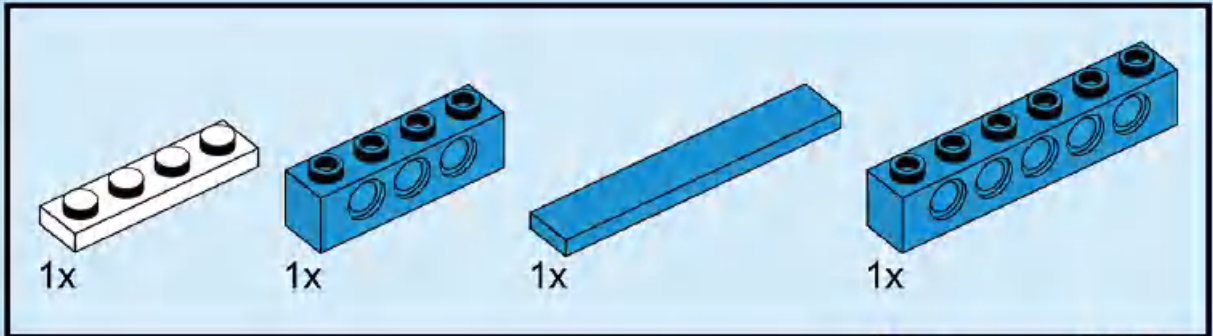


5x 1x 1x

This inset box shows the parts list for step 51. It contains three items: five black pins with a central hole, one grey pin with a central hole, and one blue pin with a central hole. Below each item is its quantity: '5x', '1x', and '1x' respectively.

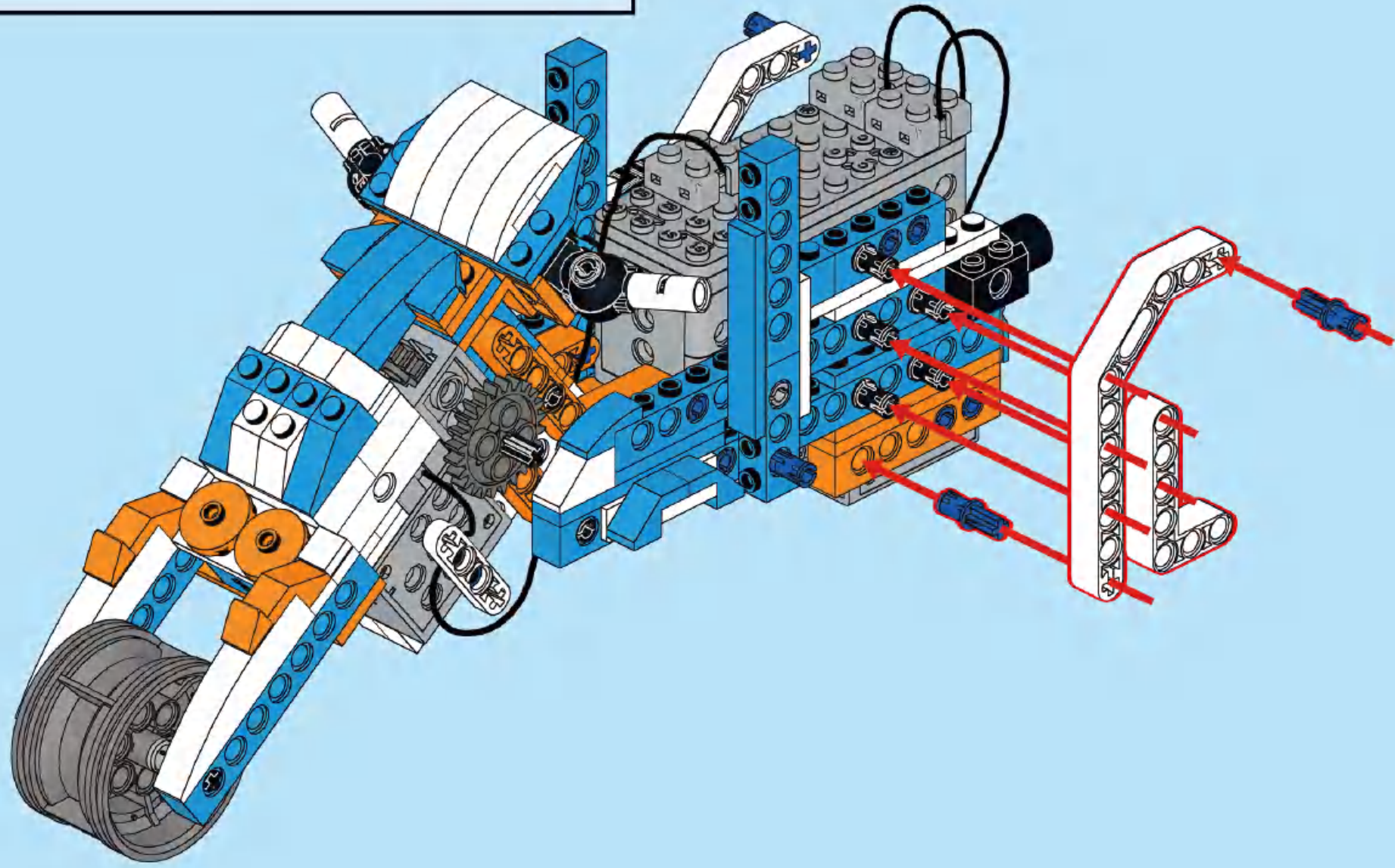
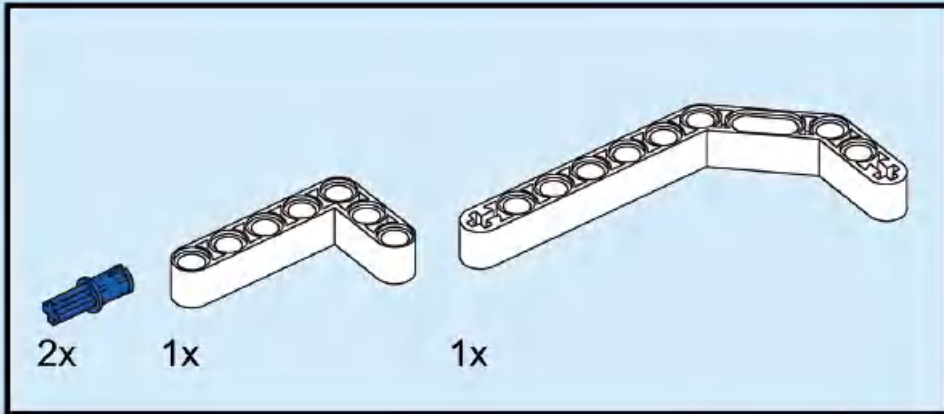




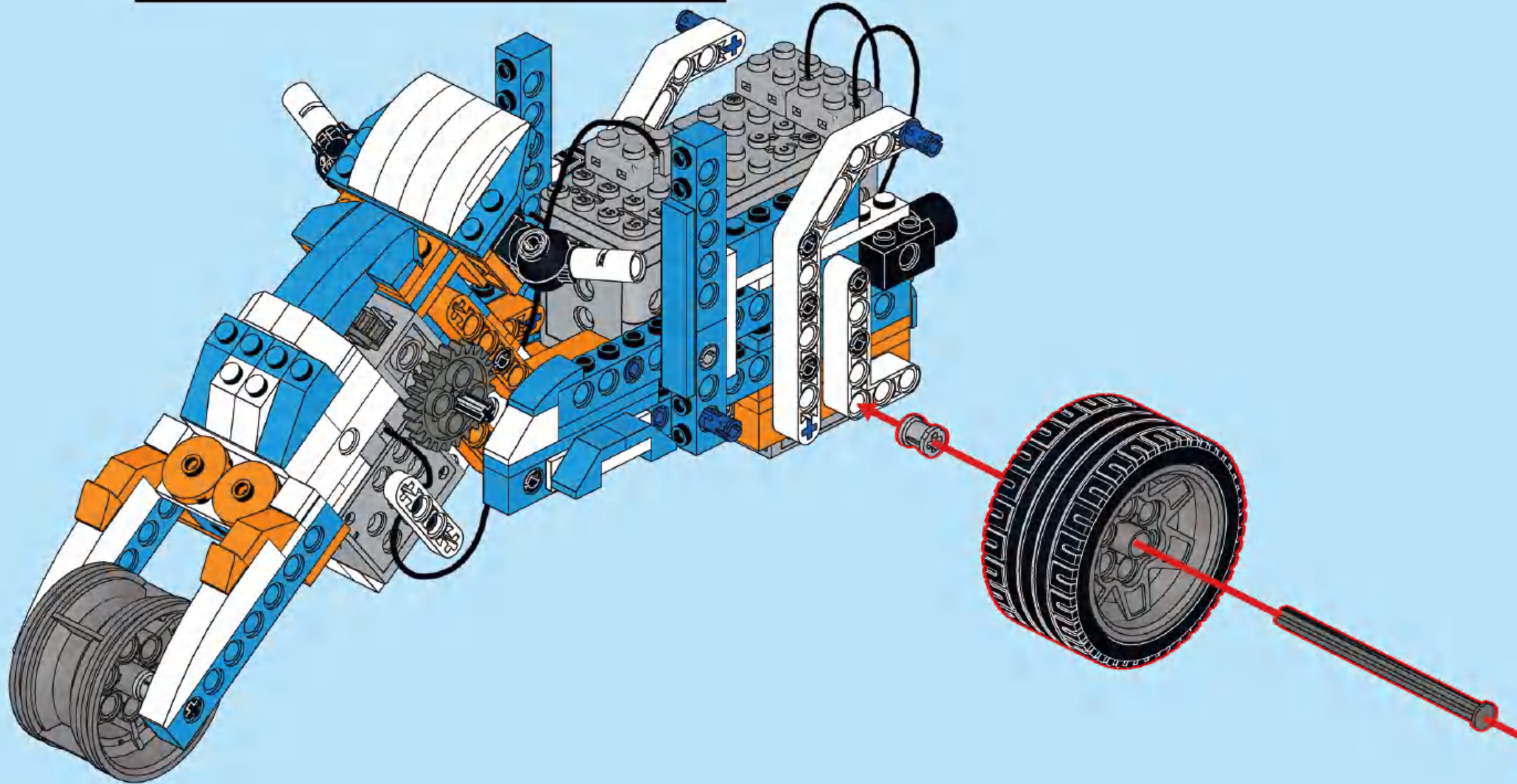
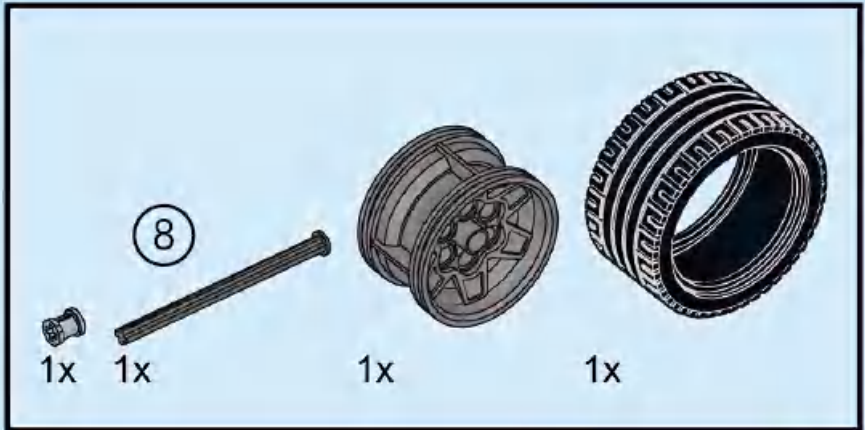




# 53

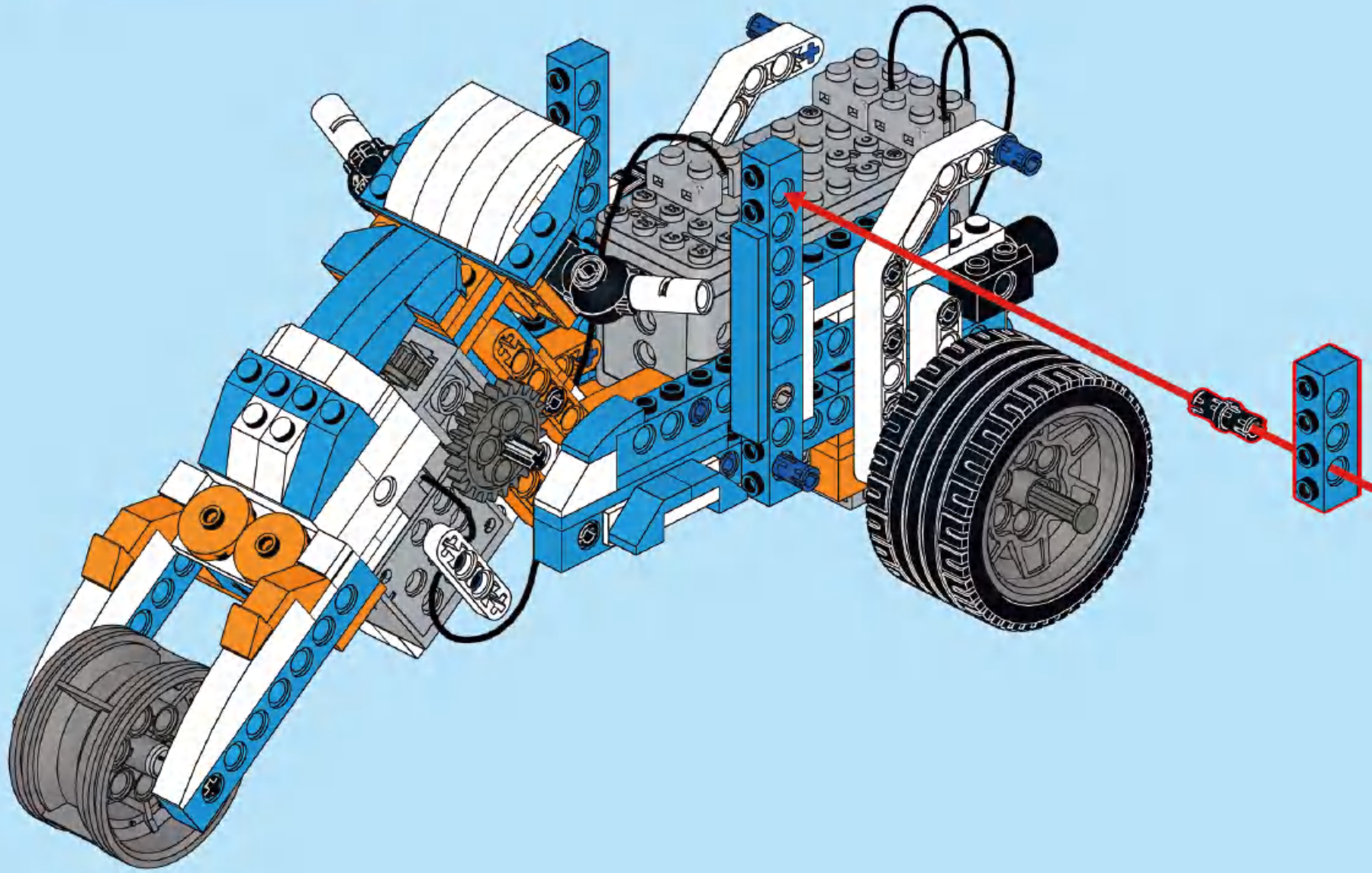
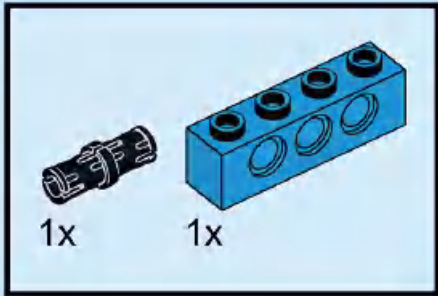


# 54

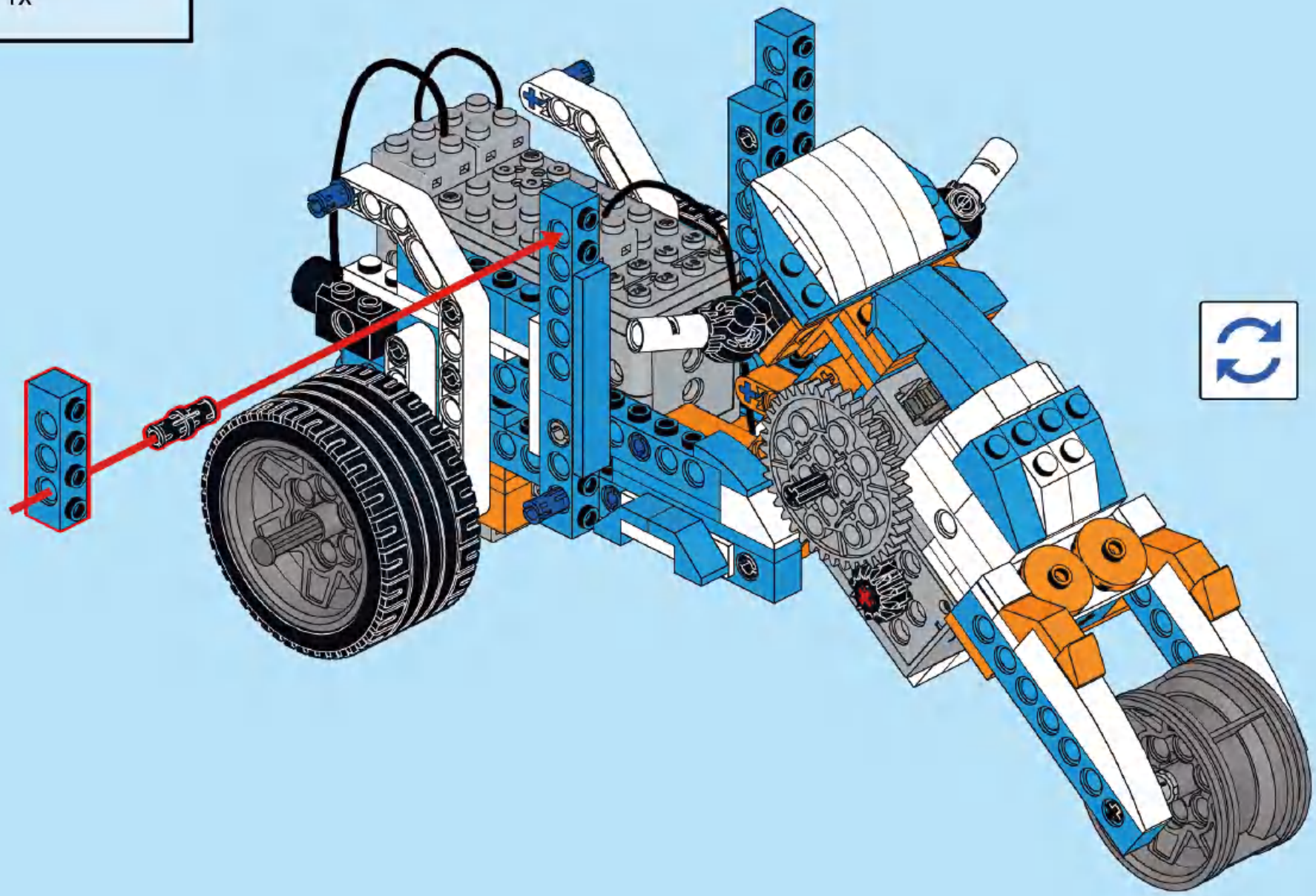
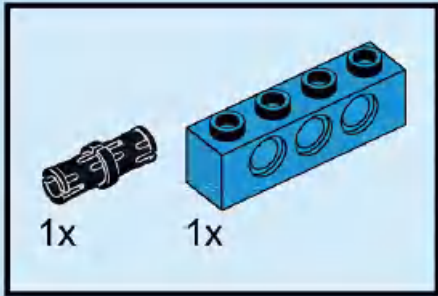




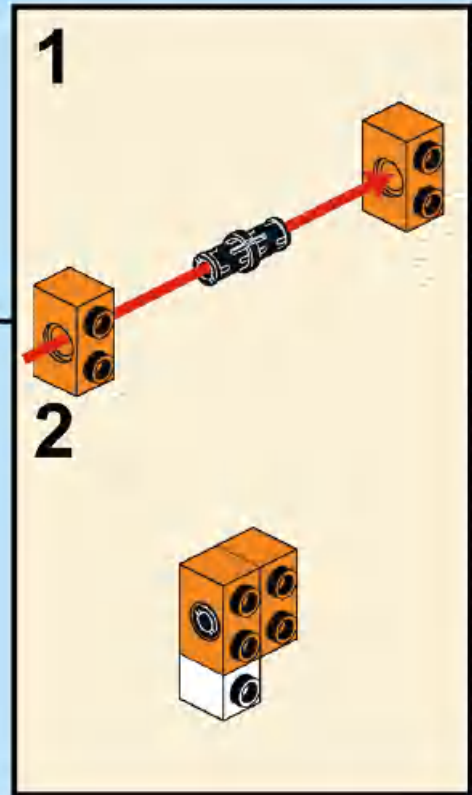
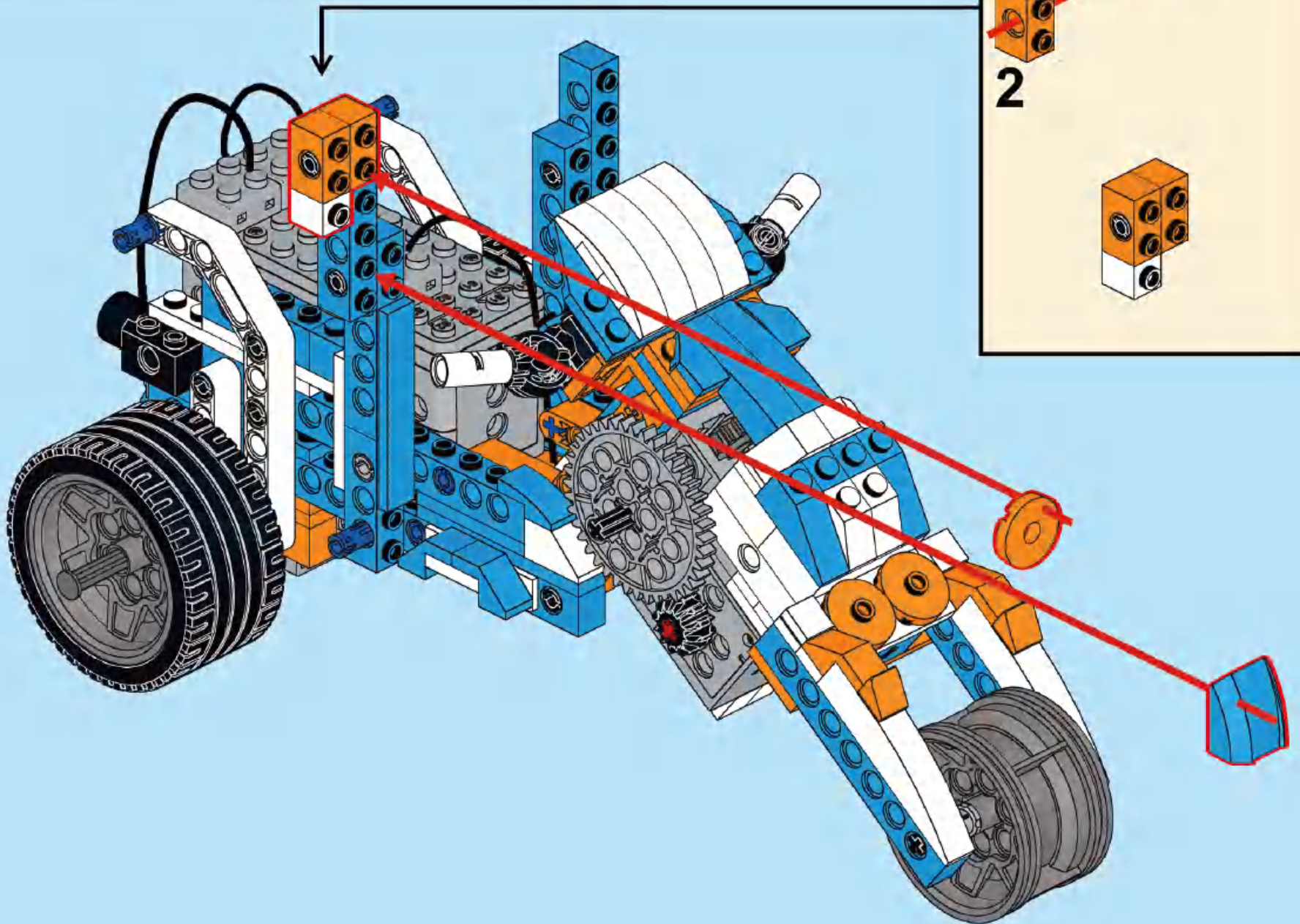
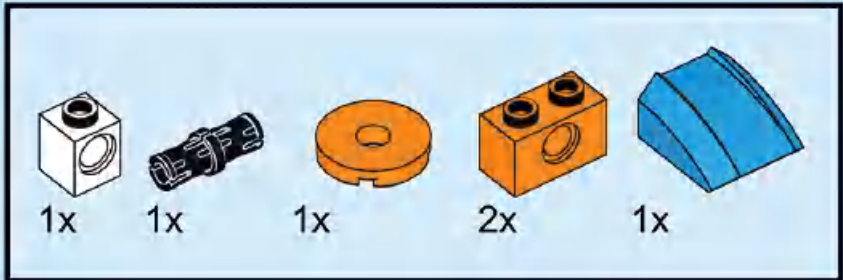
# 55







# 56

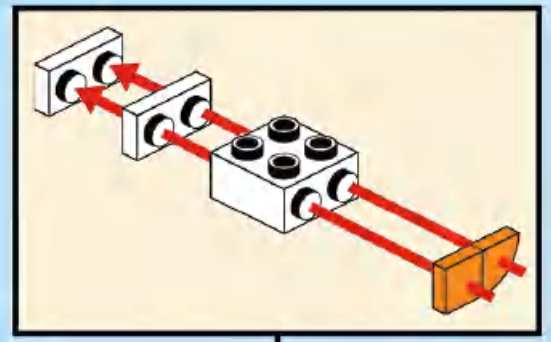
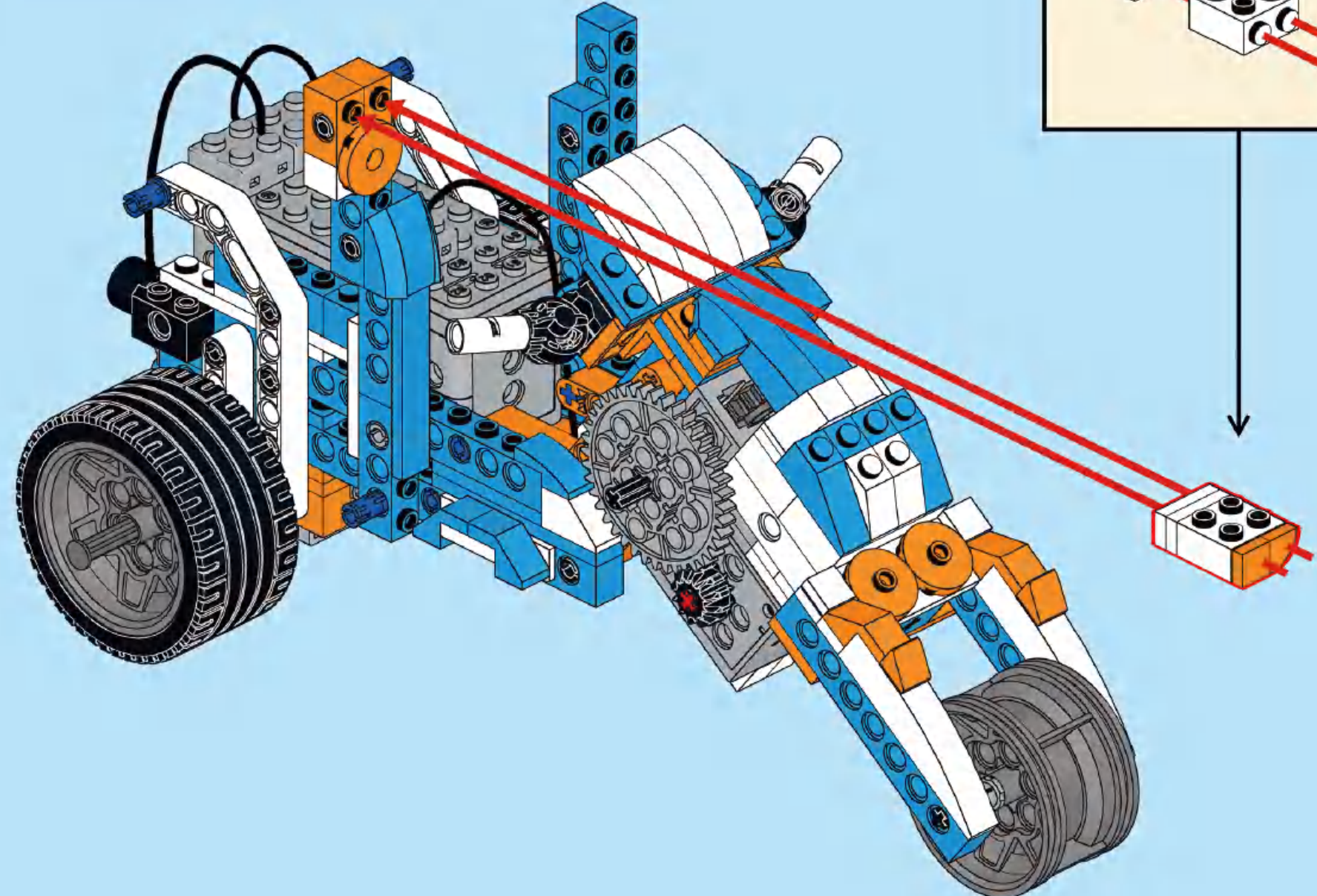






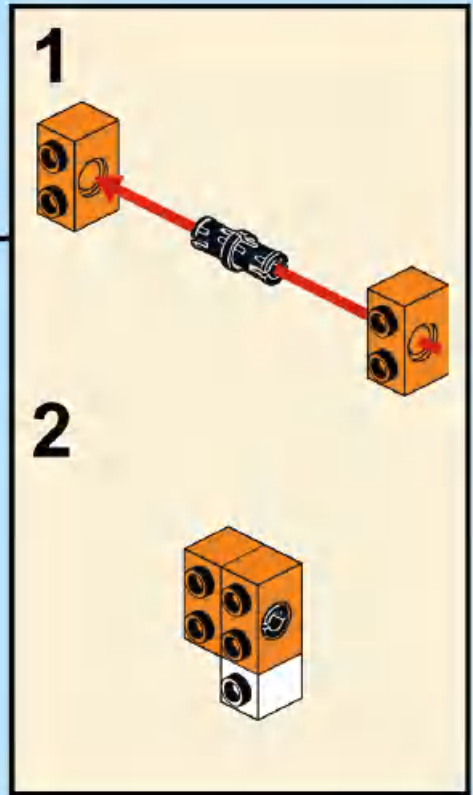
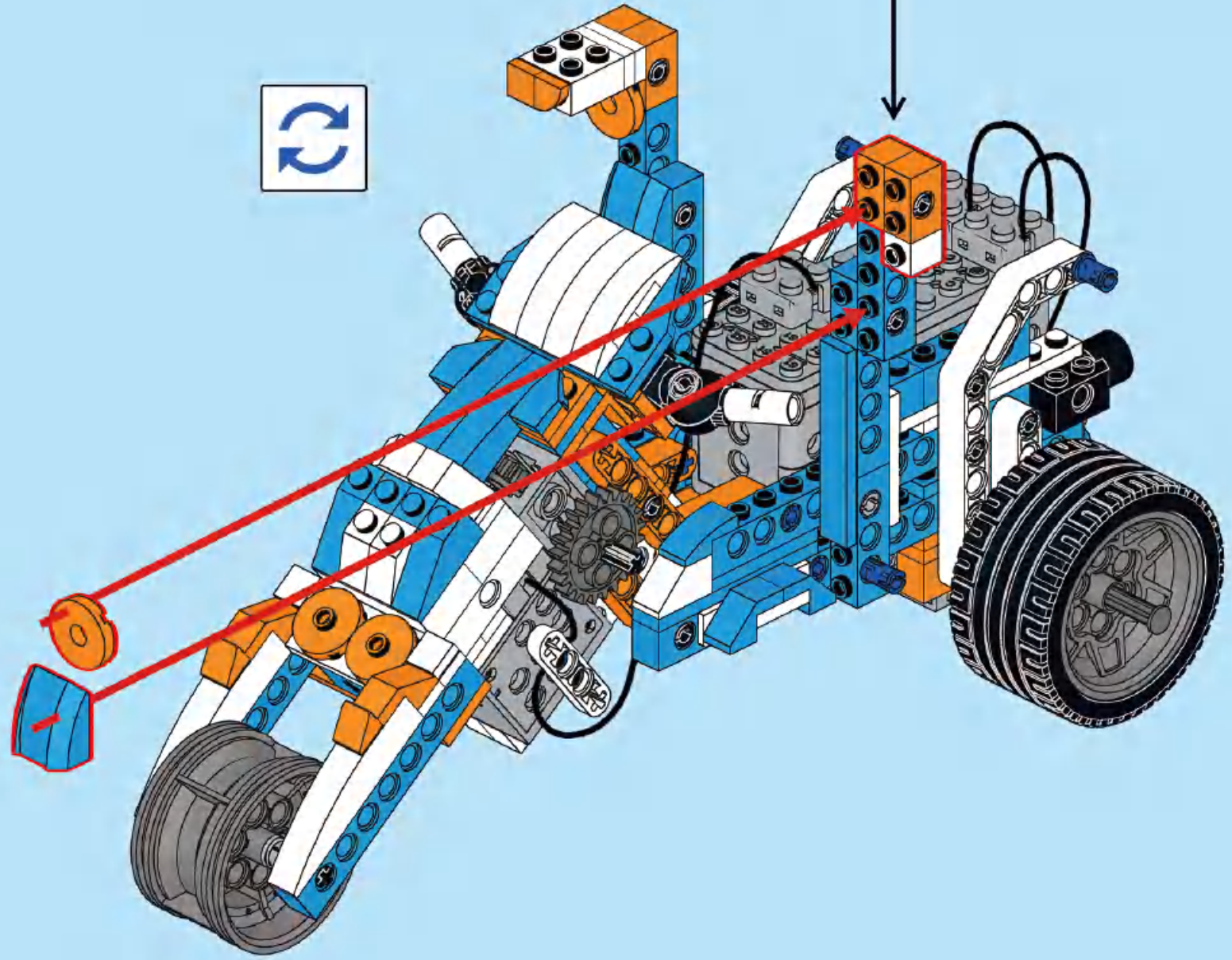
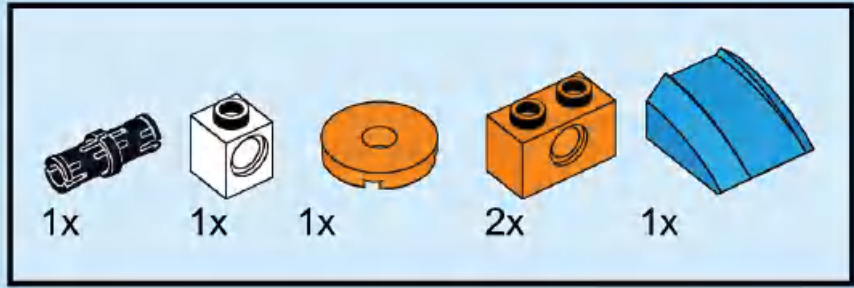


- 1x 
- 1x 
- 2x 
- 1x 



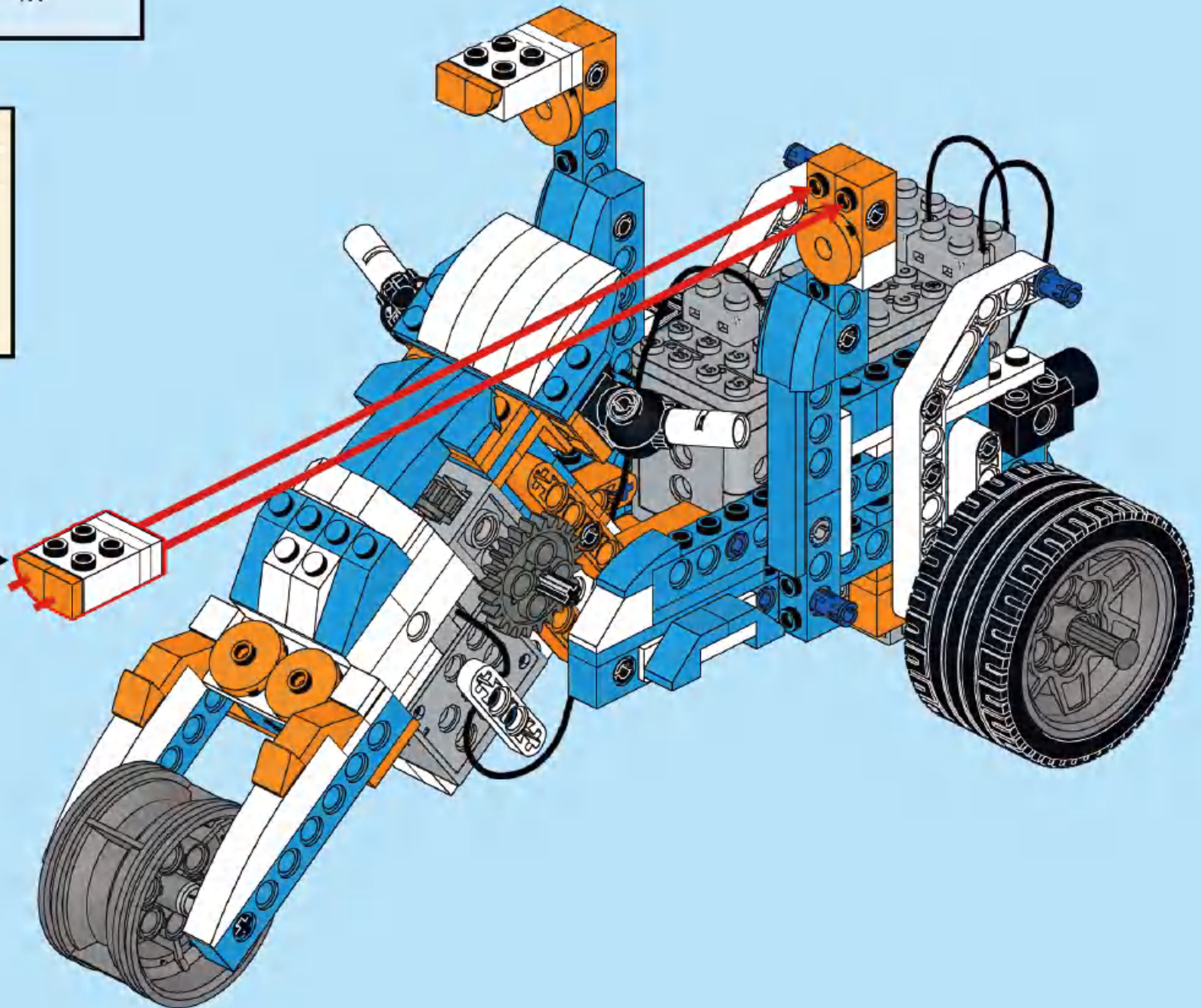
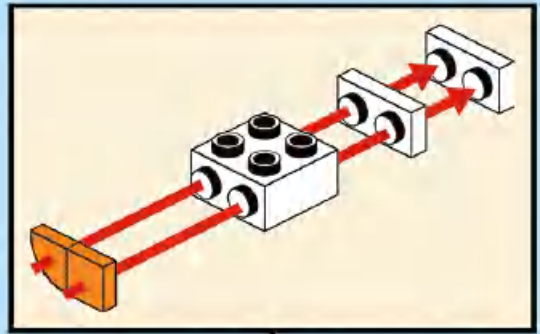
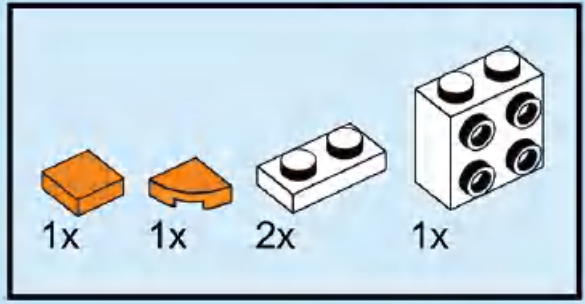


# 59



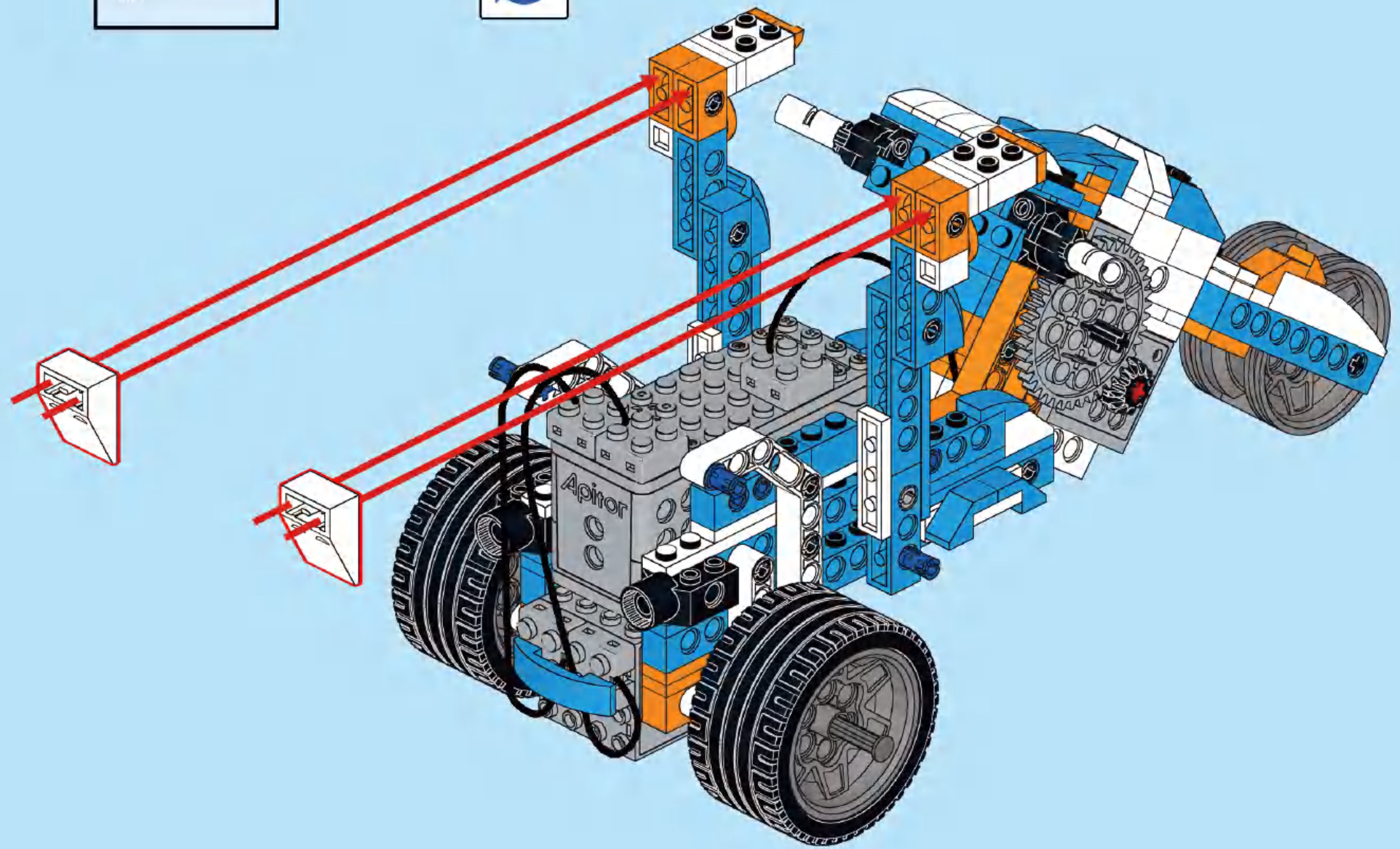
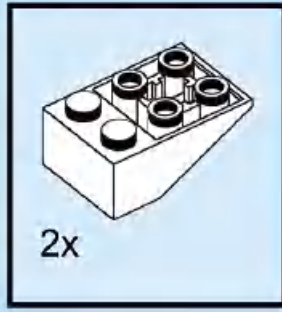


# 60

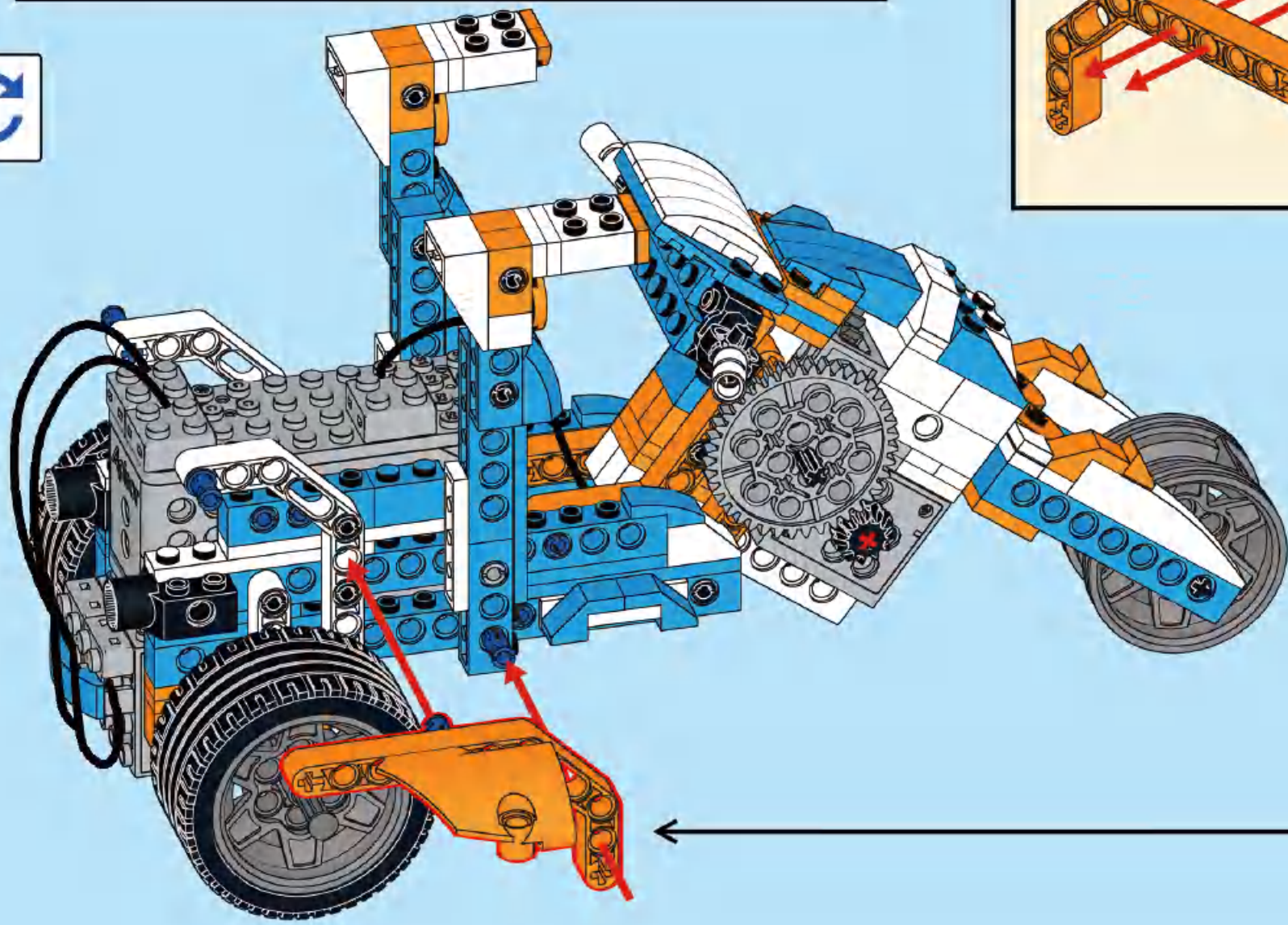
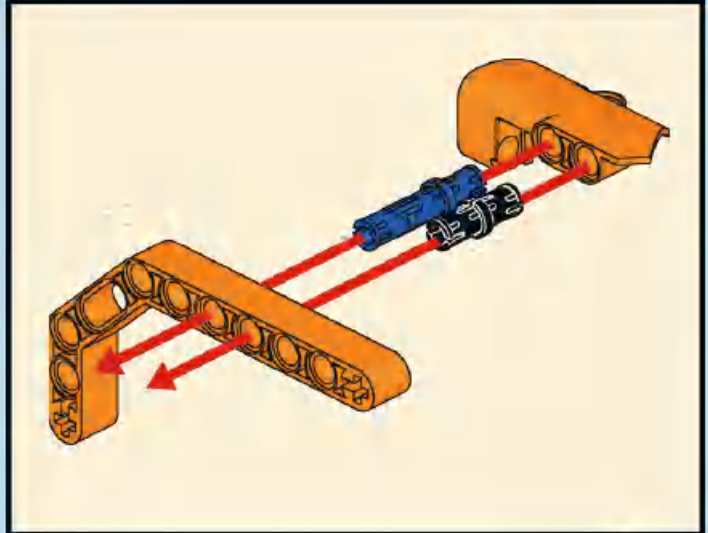
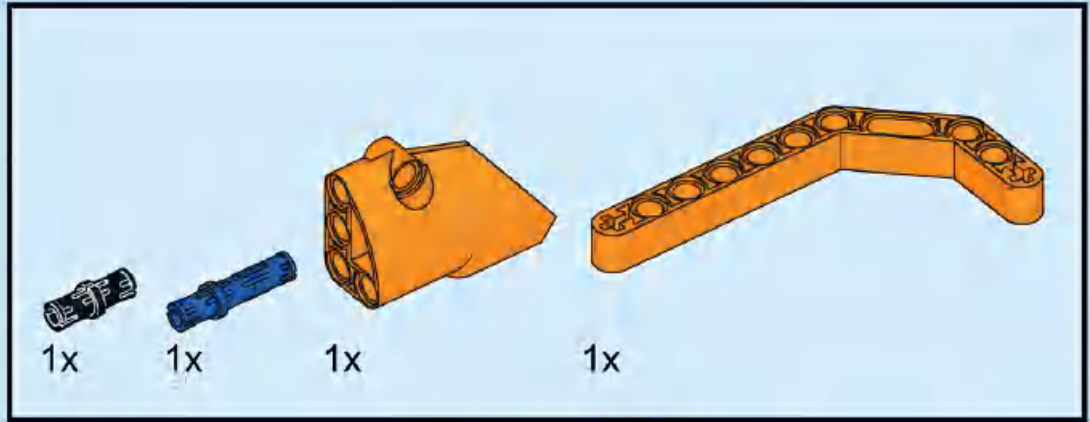




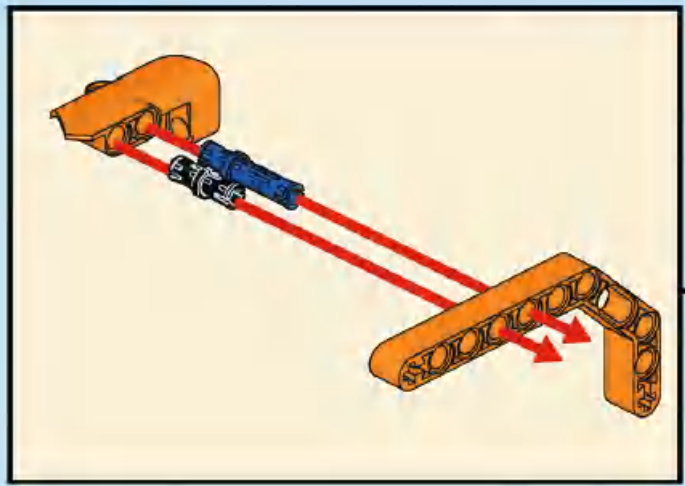
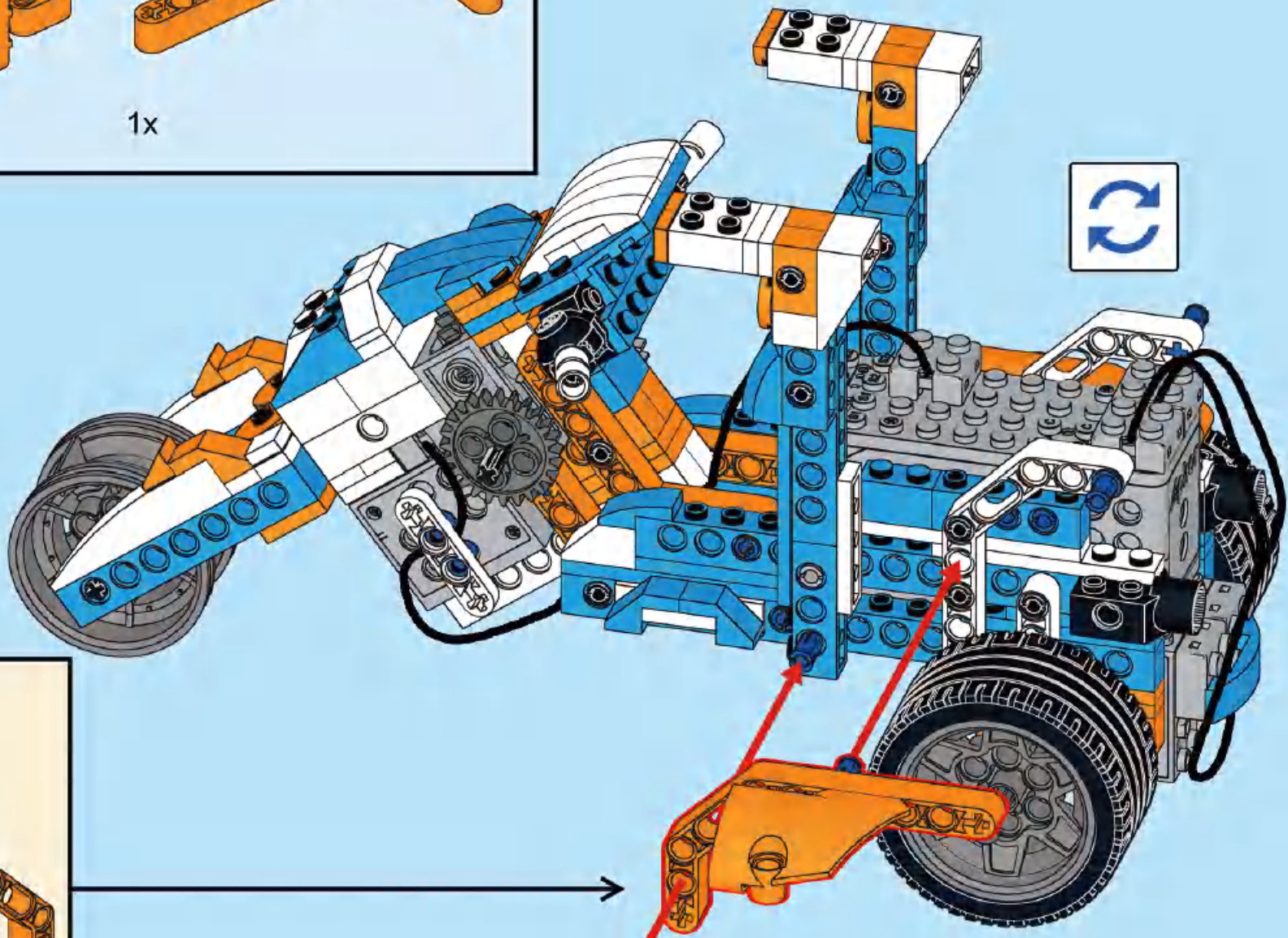
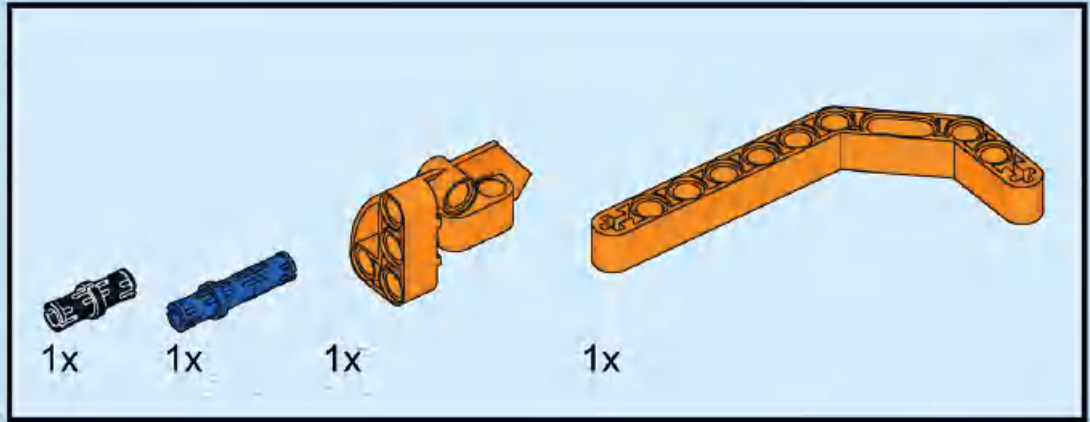
# 61





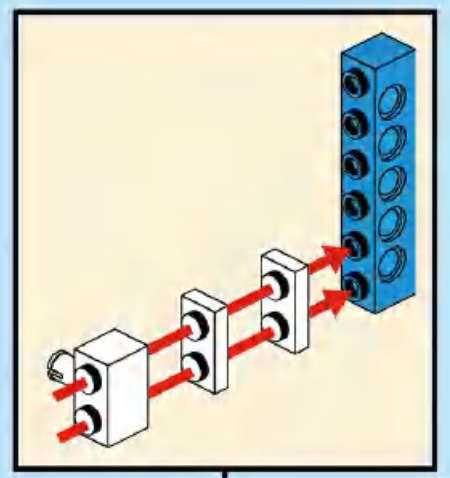
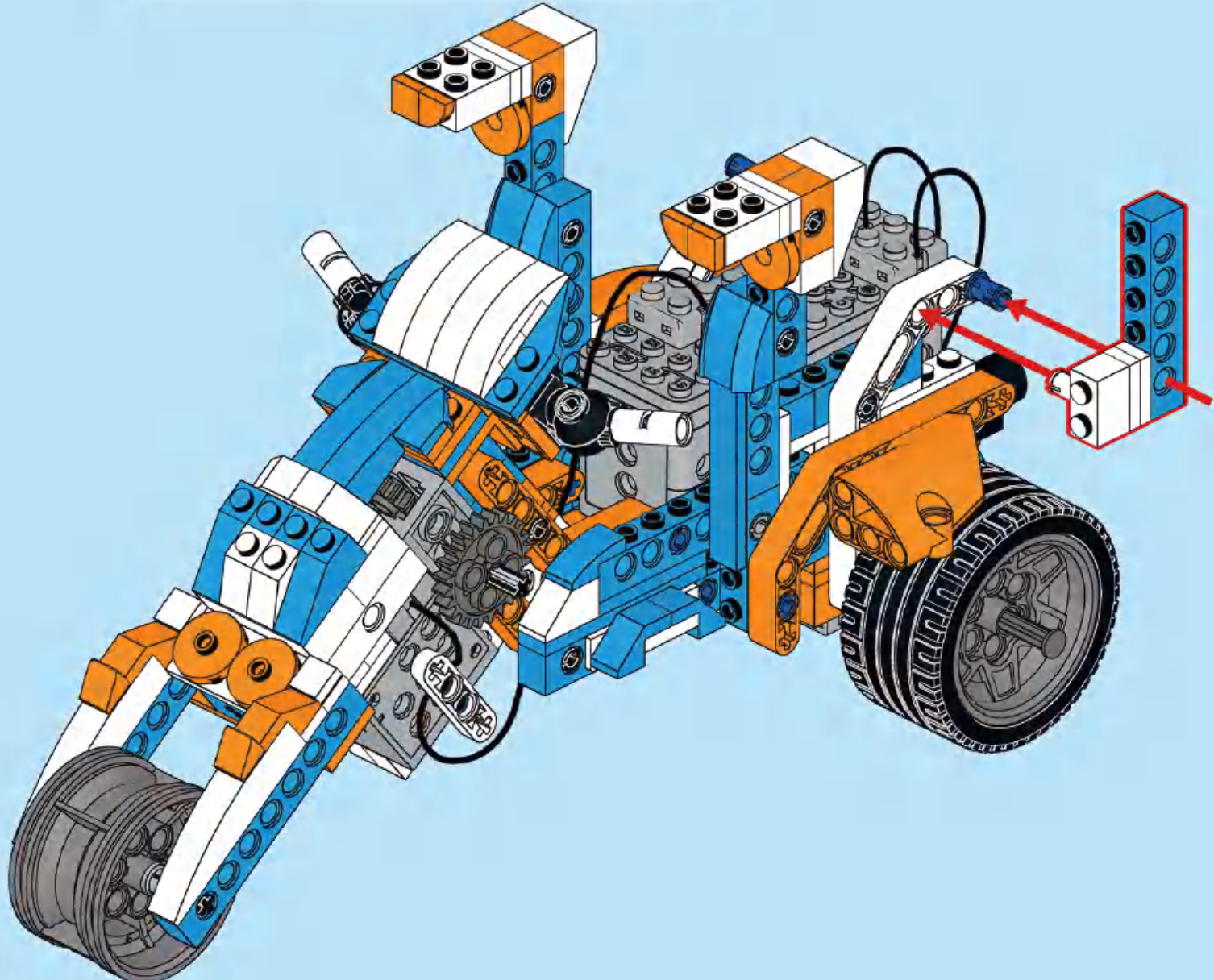
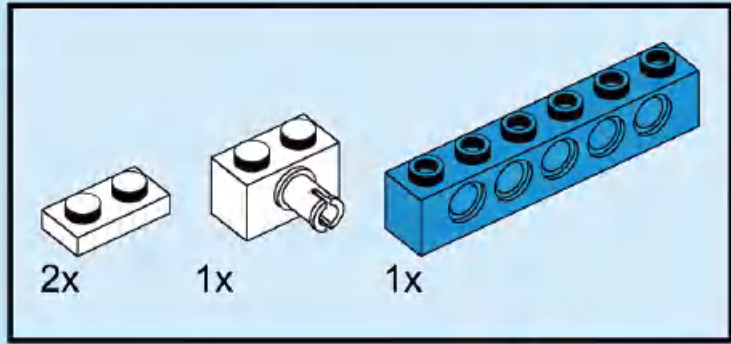






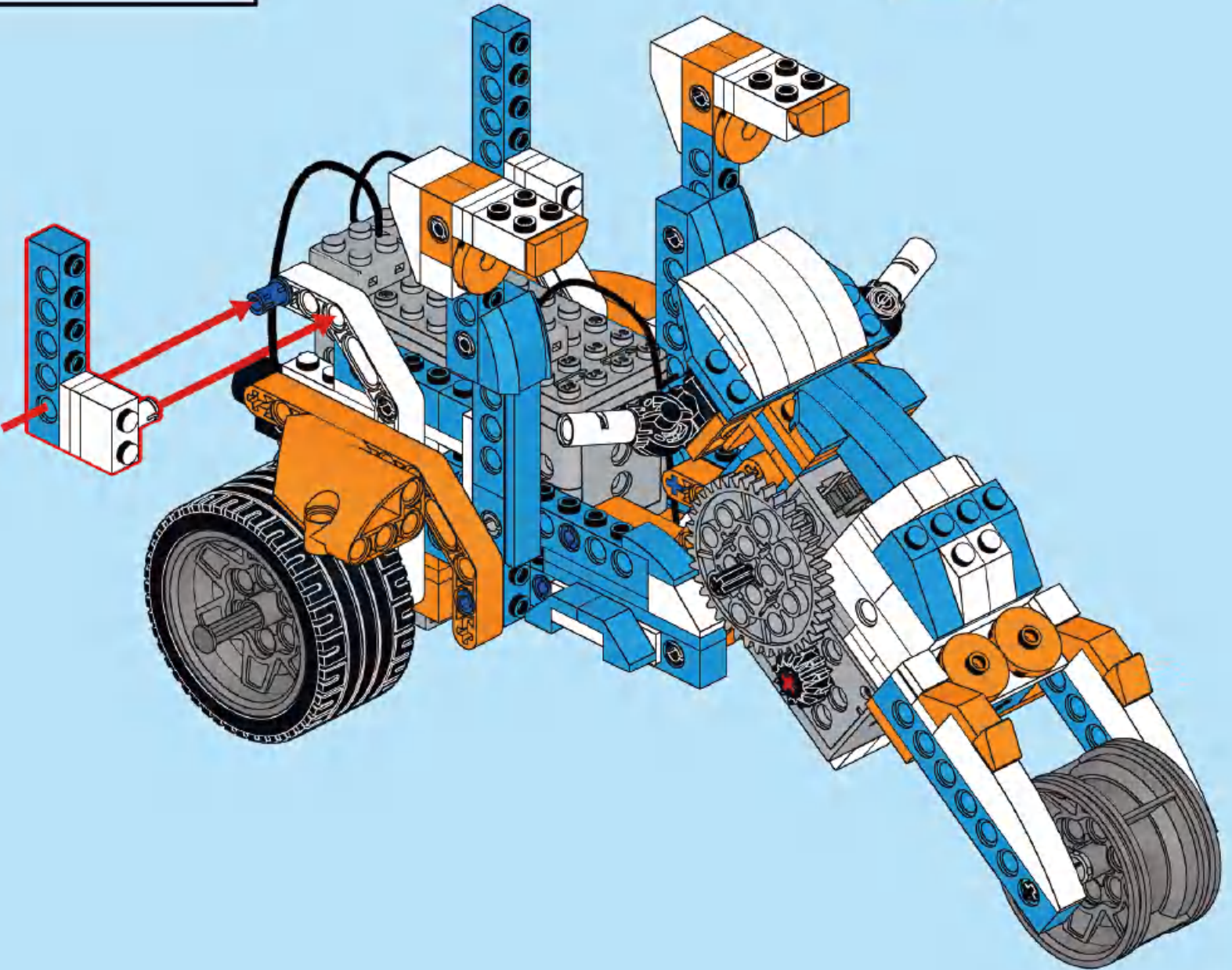
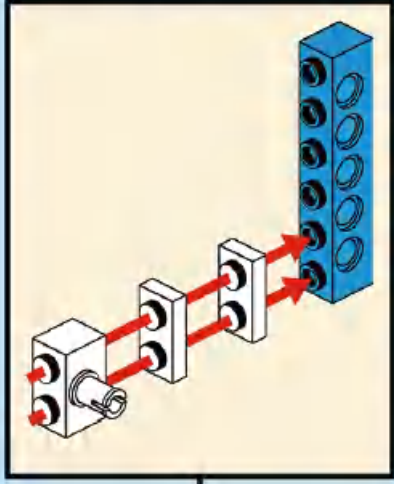
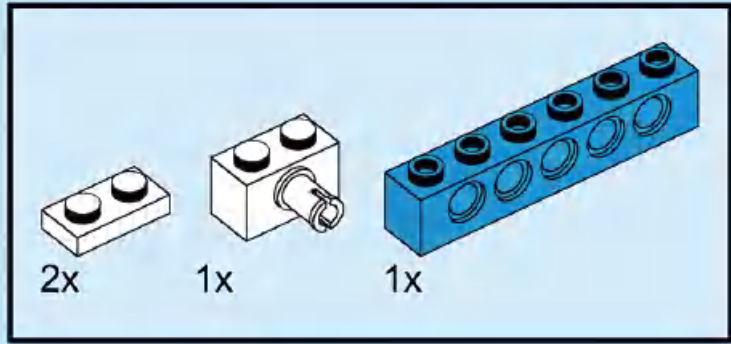


# 64

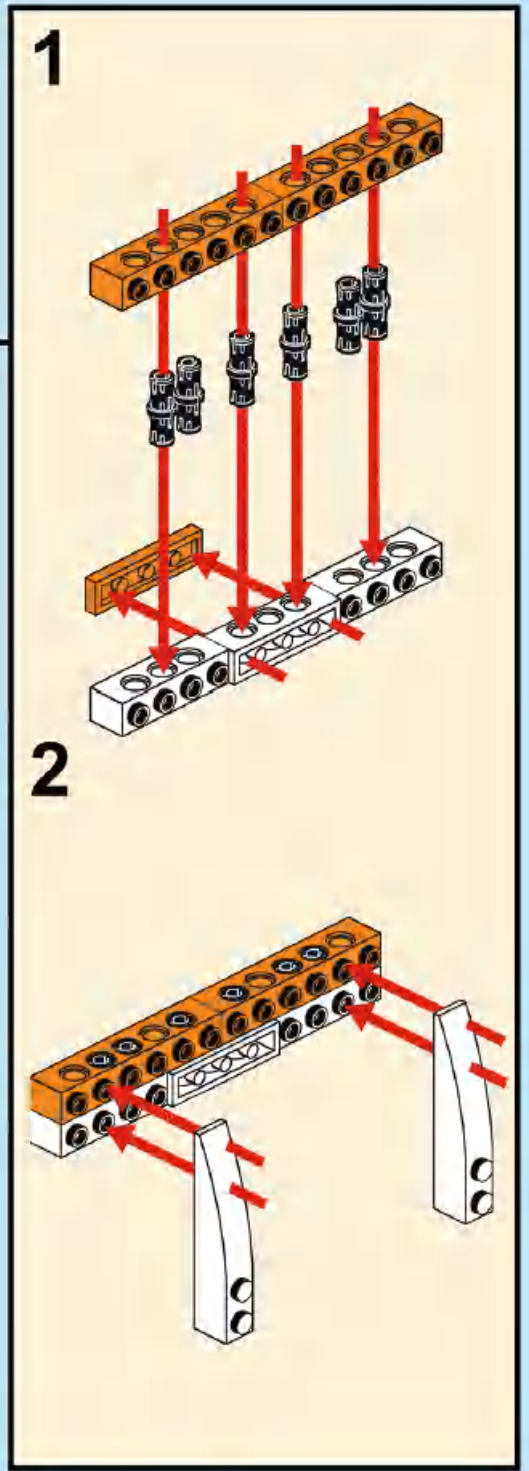
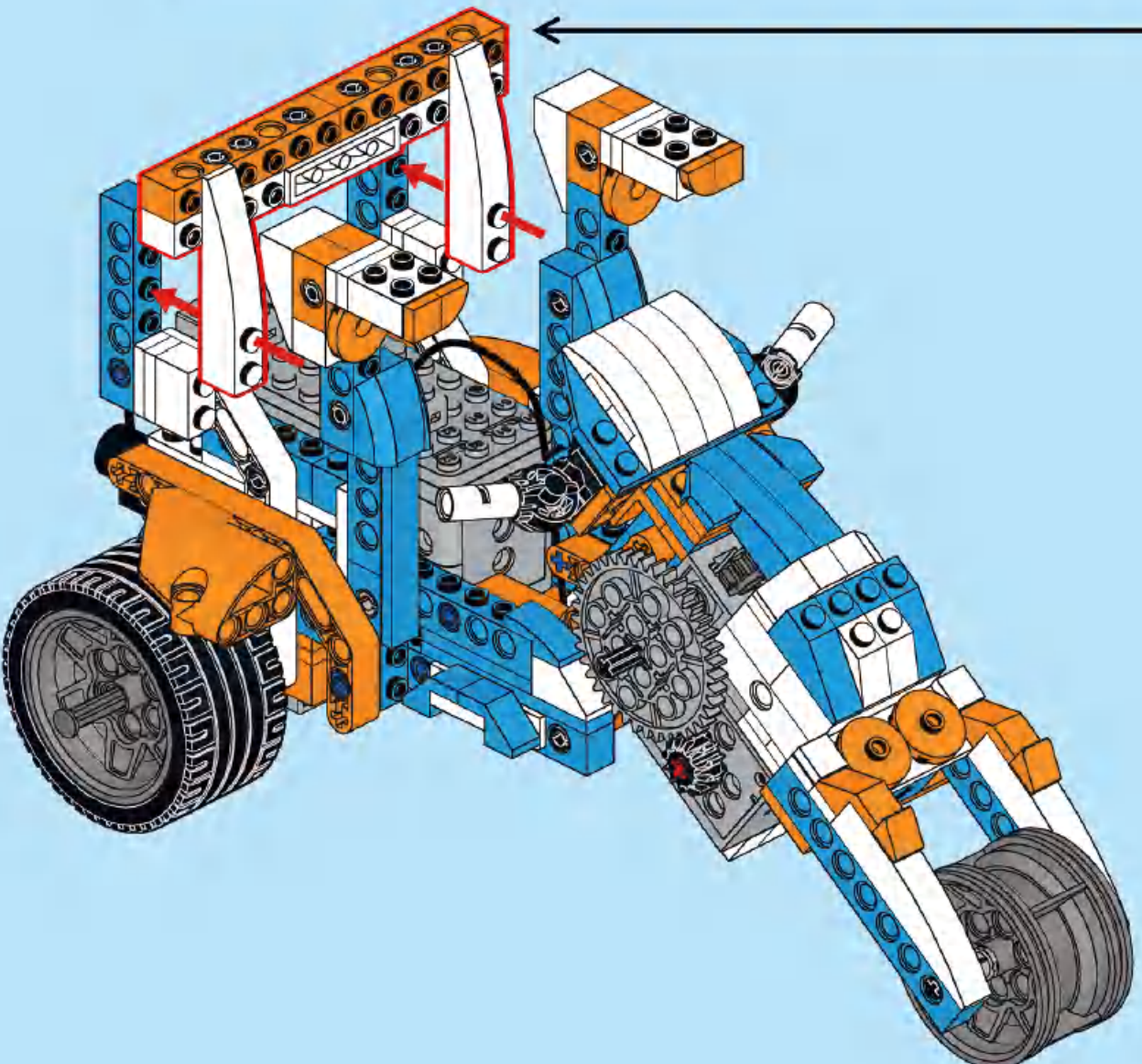
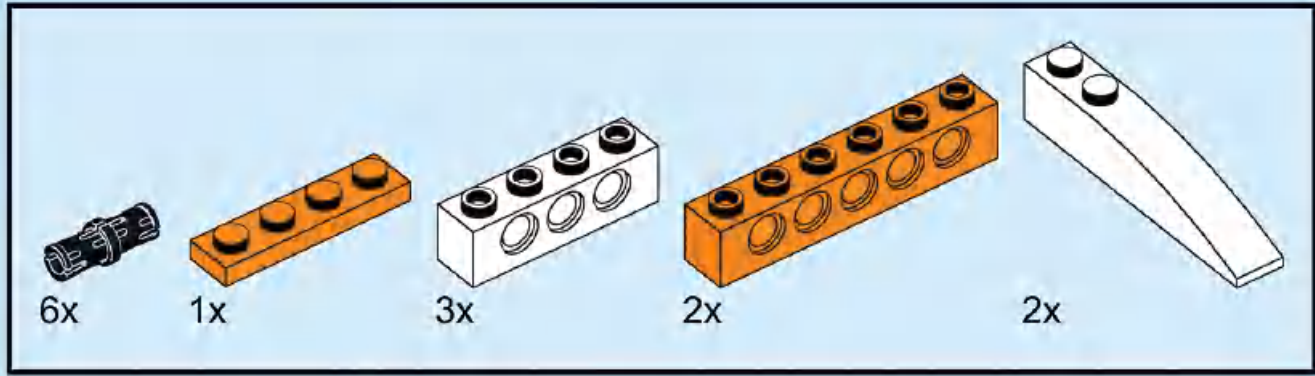




# 65

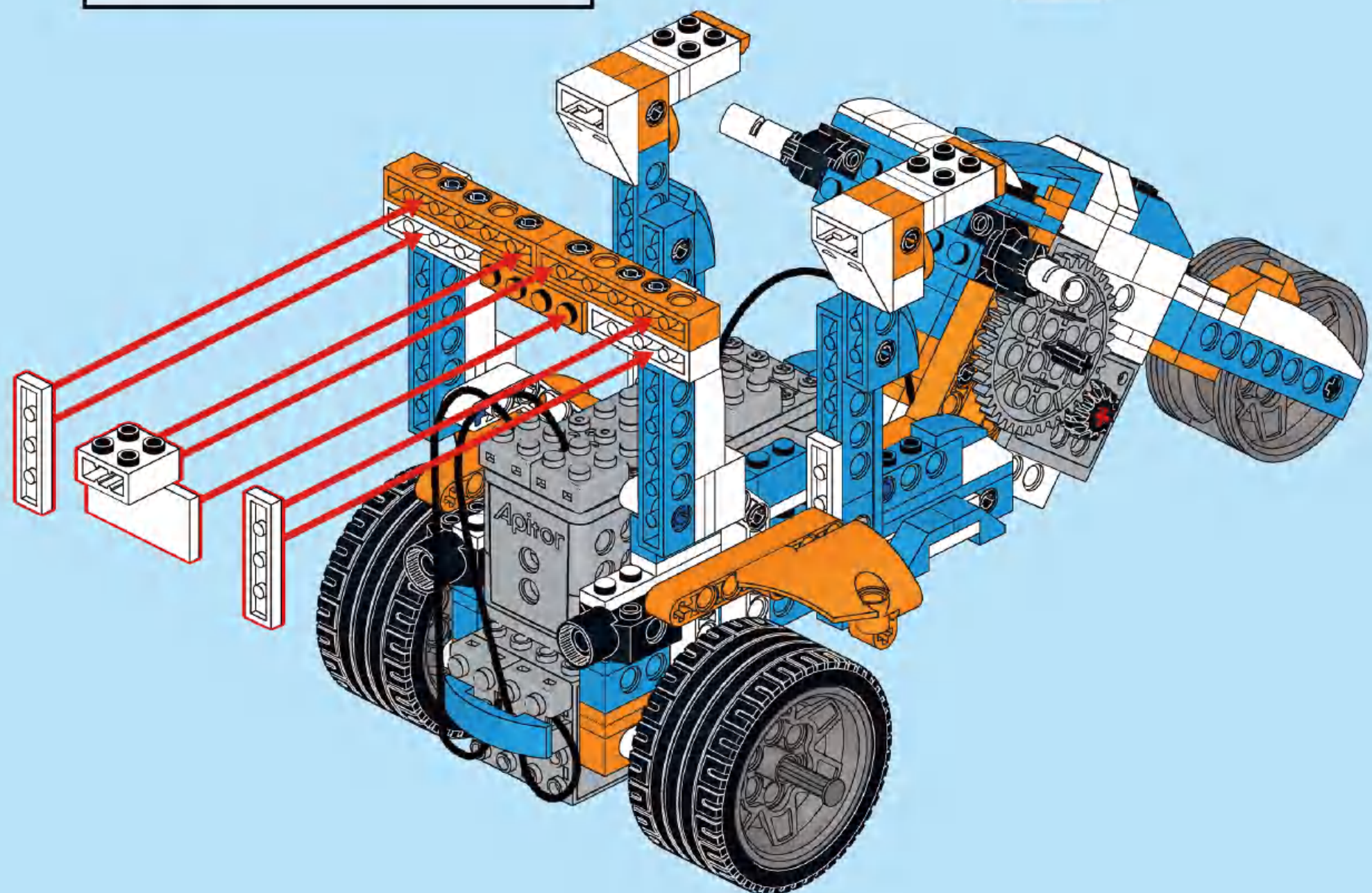
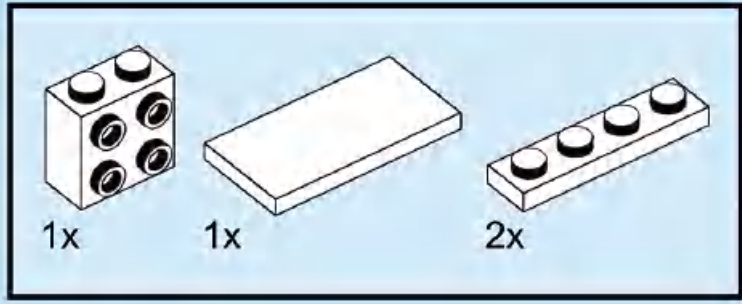




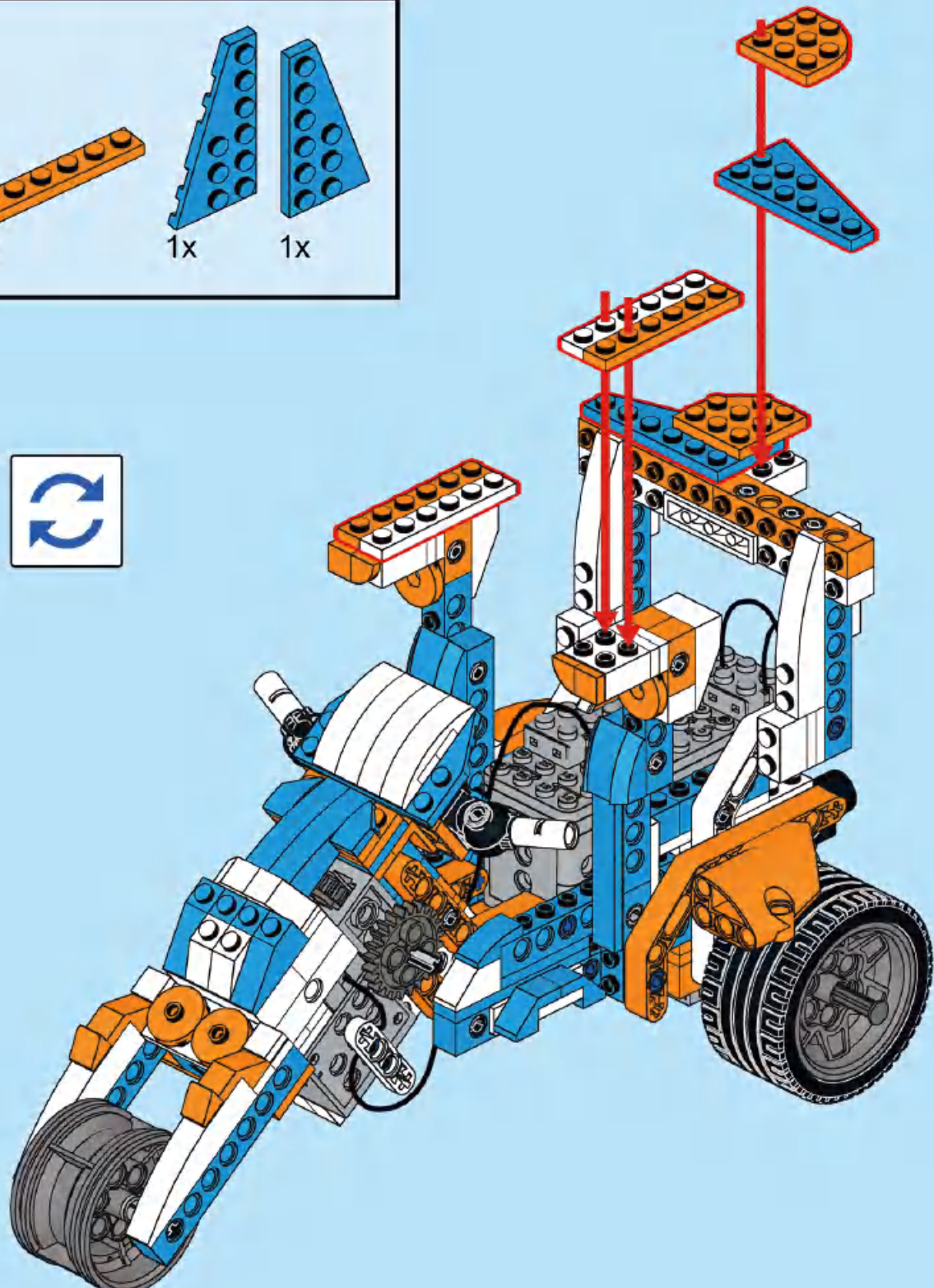
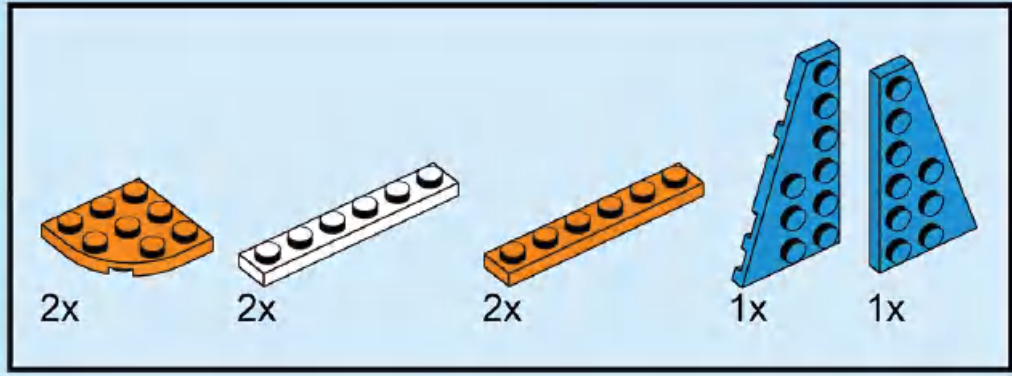




# 67

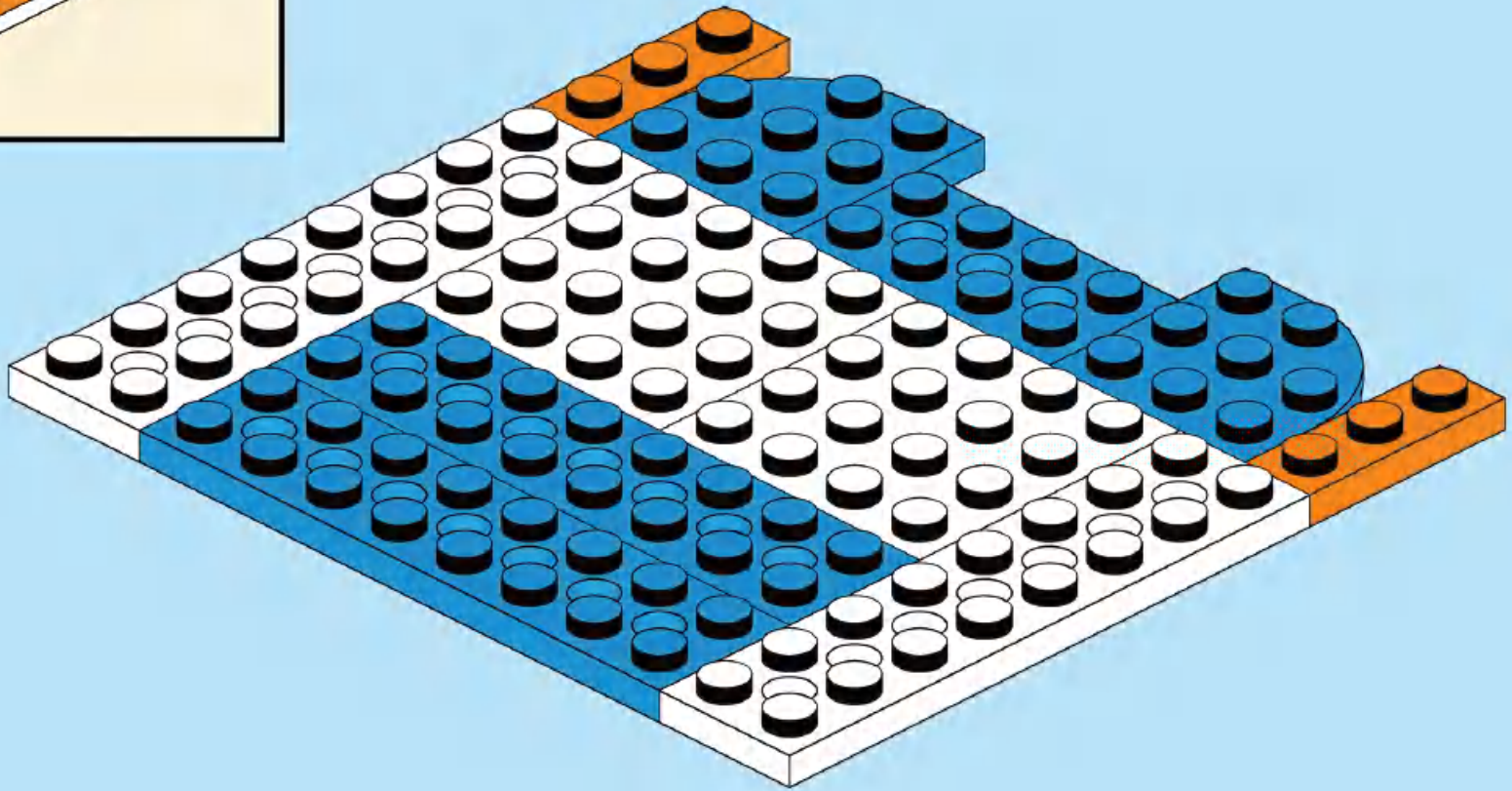
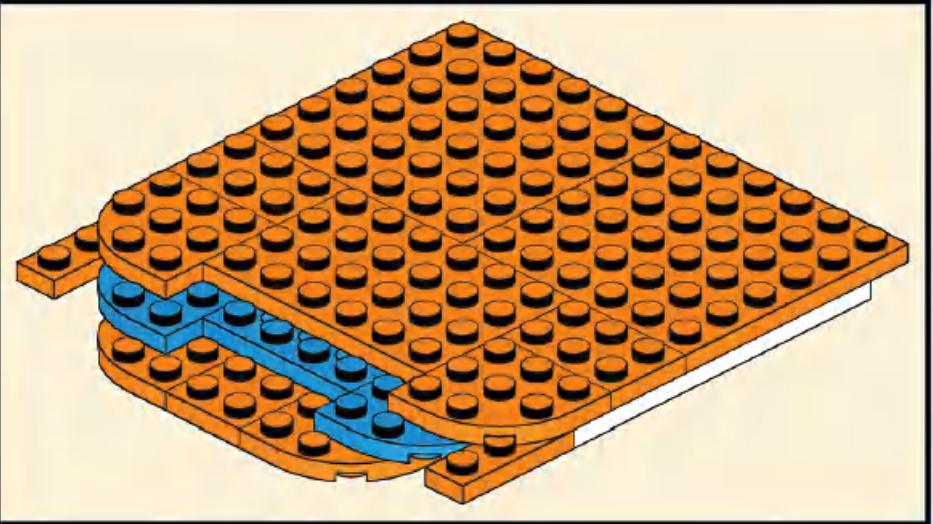
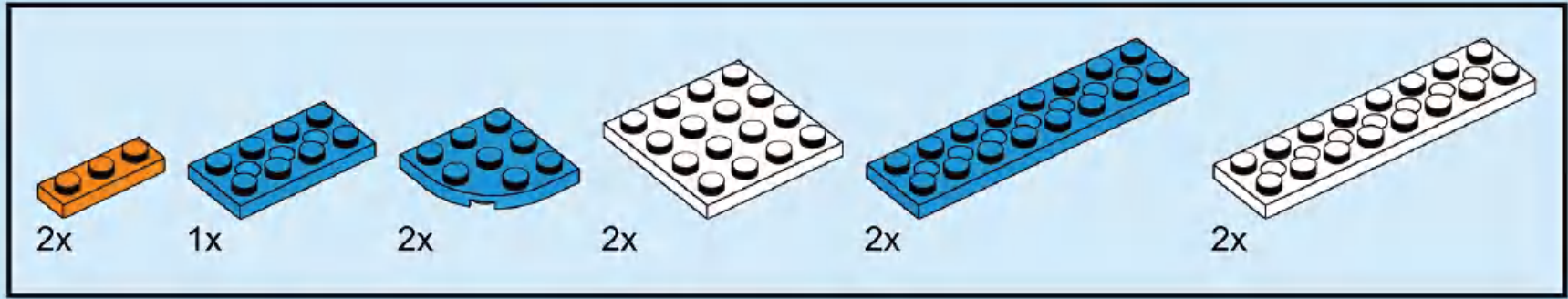




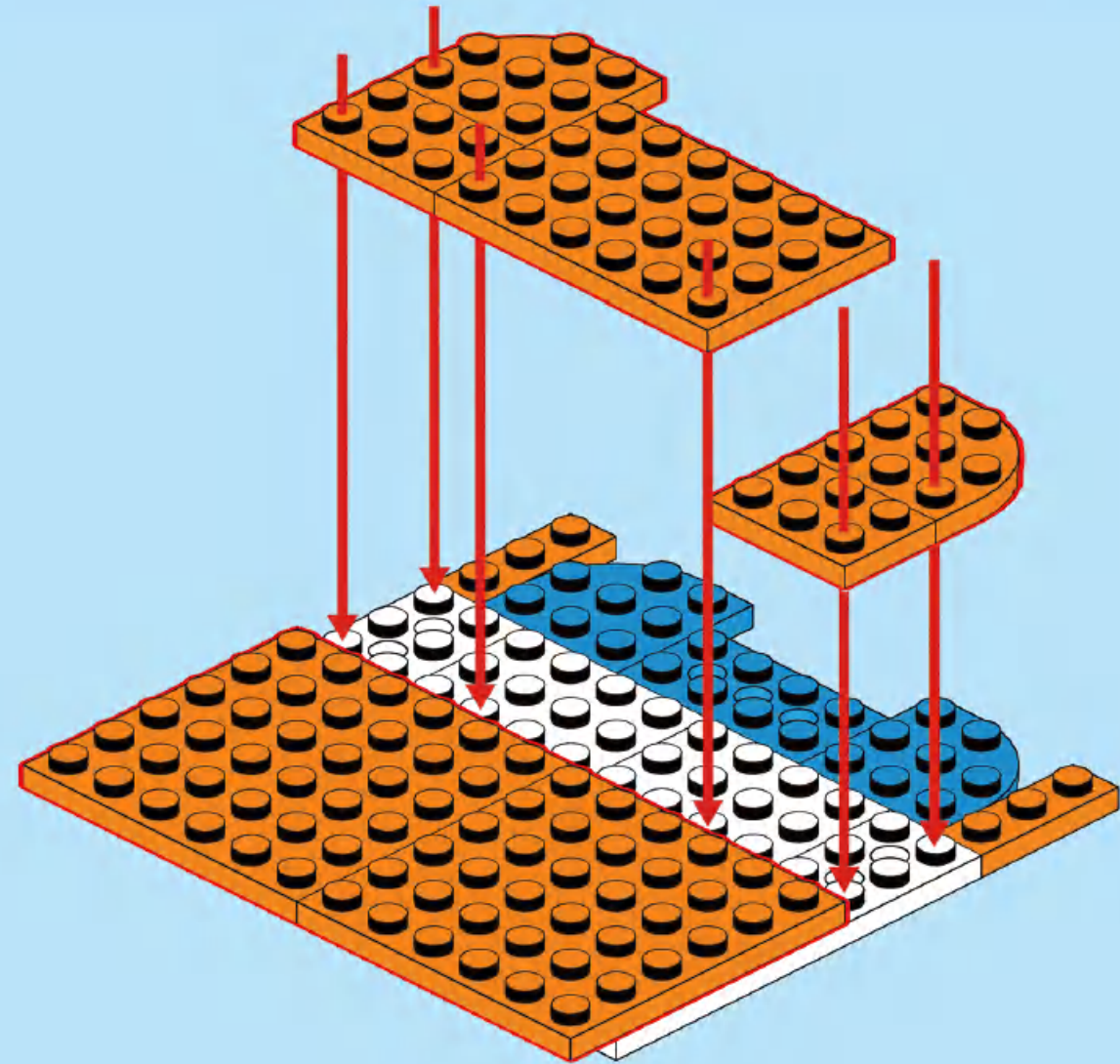
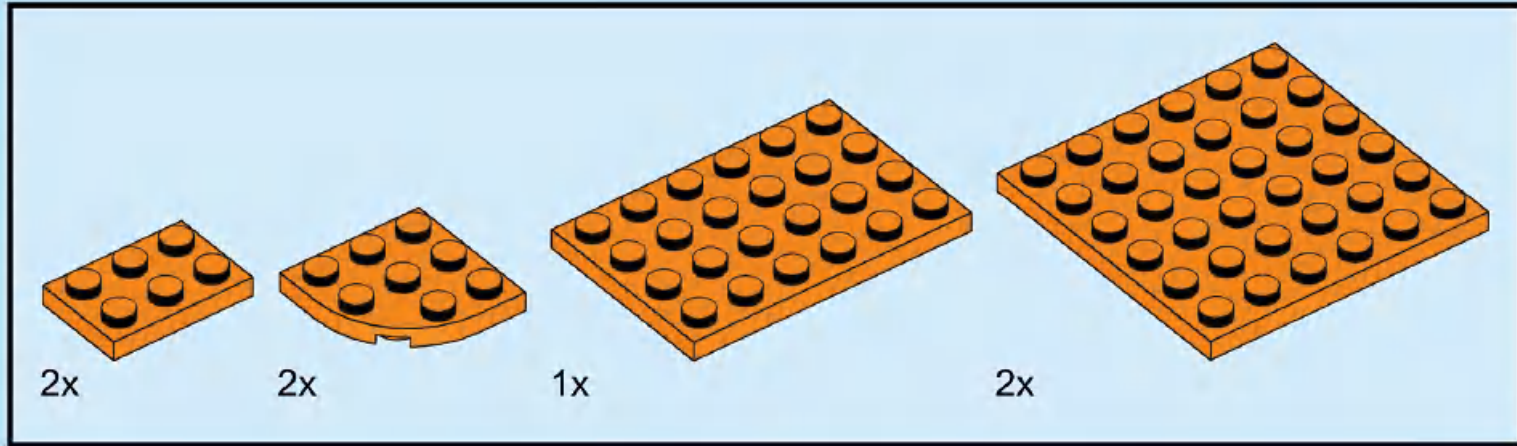




# 69

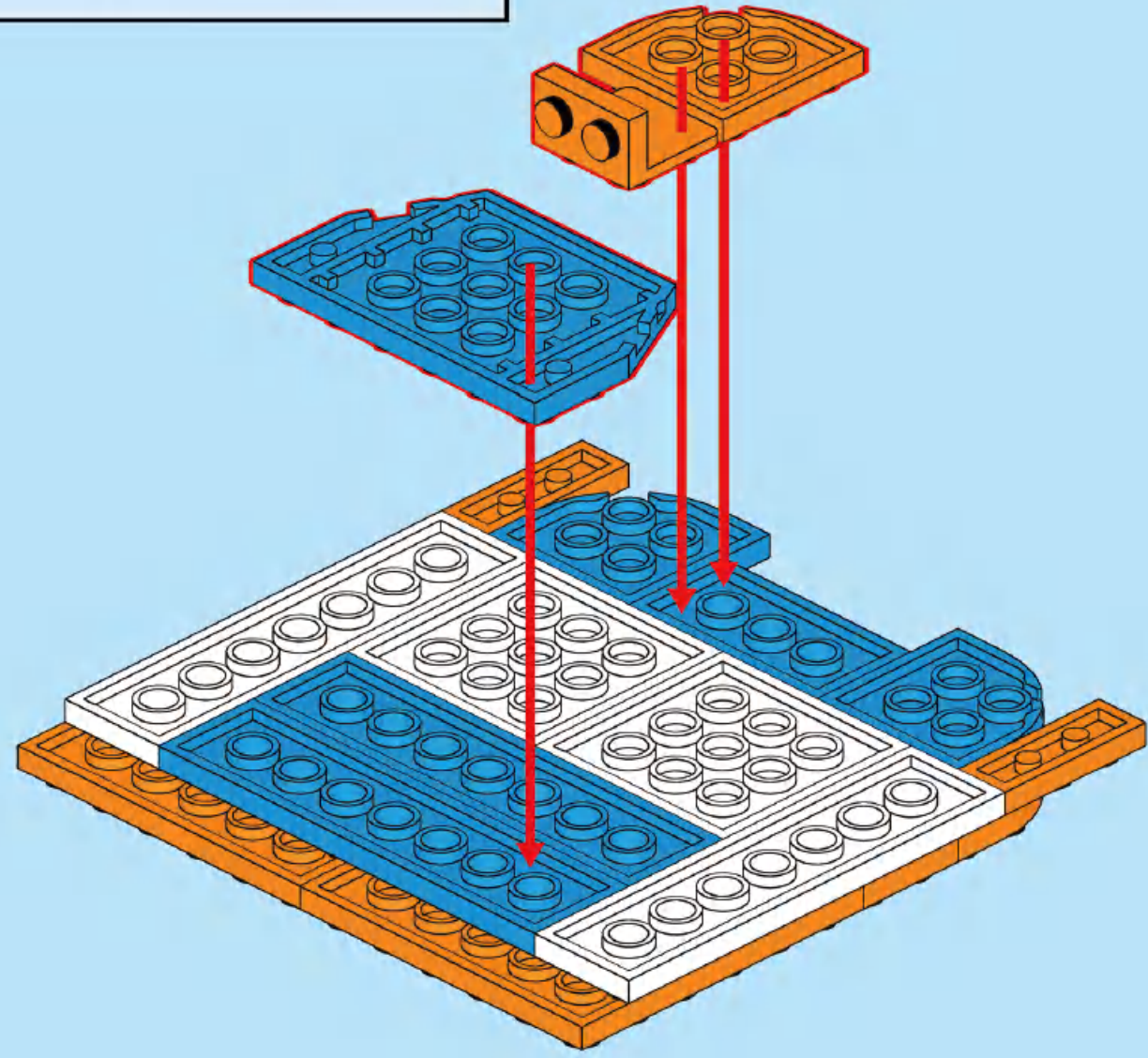
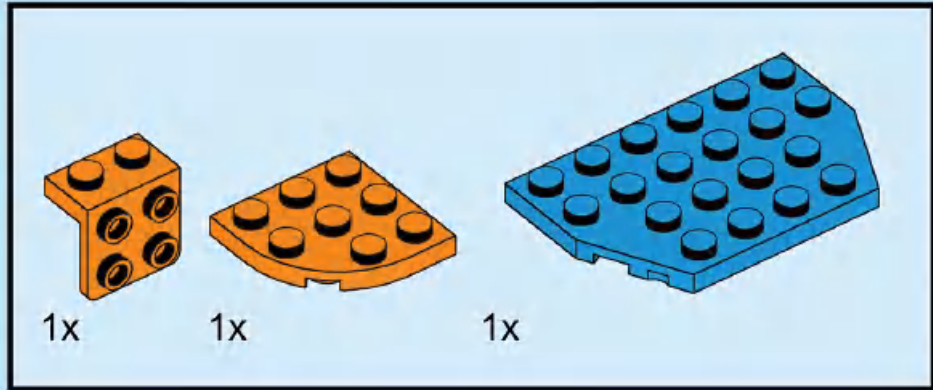


# 70

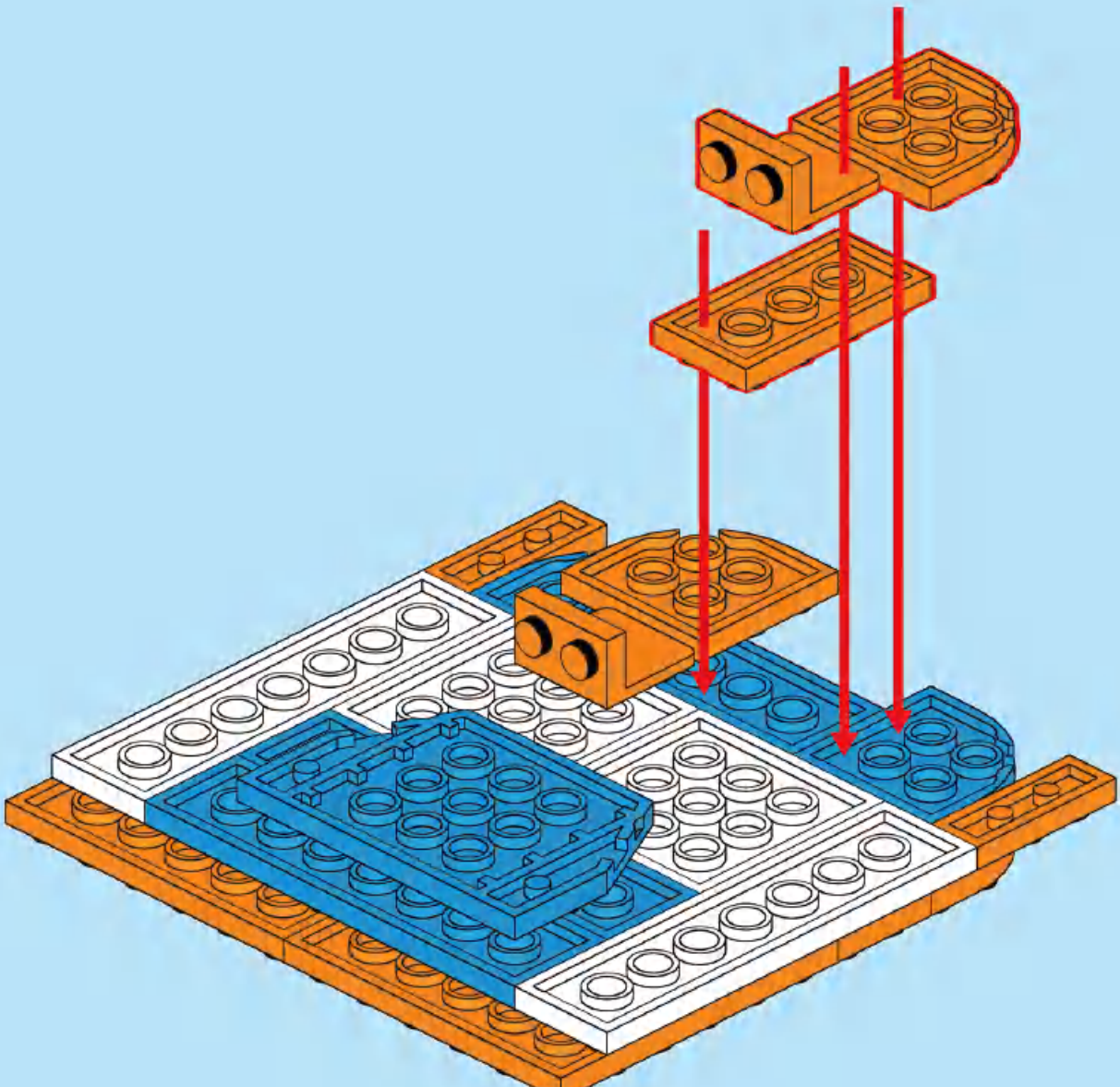
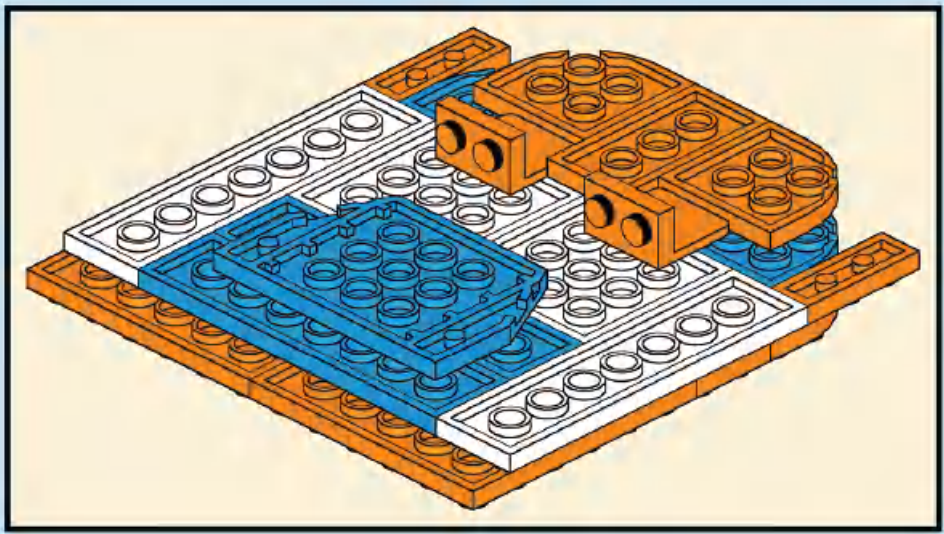
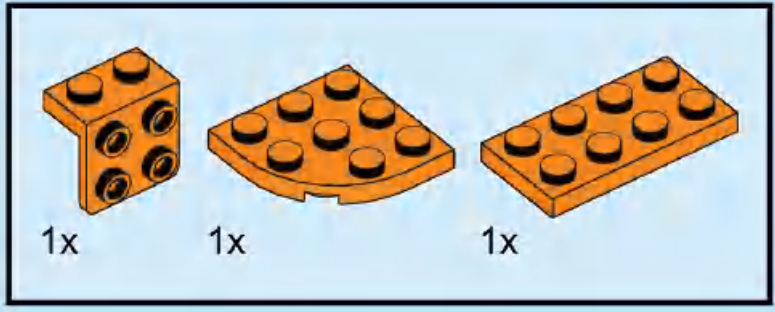




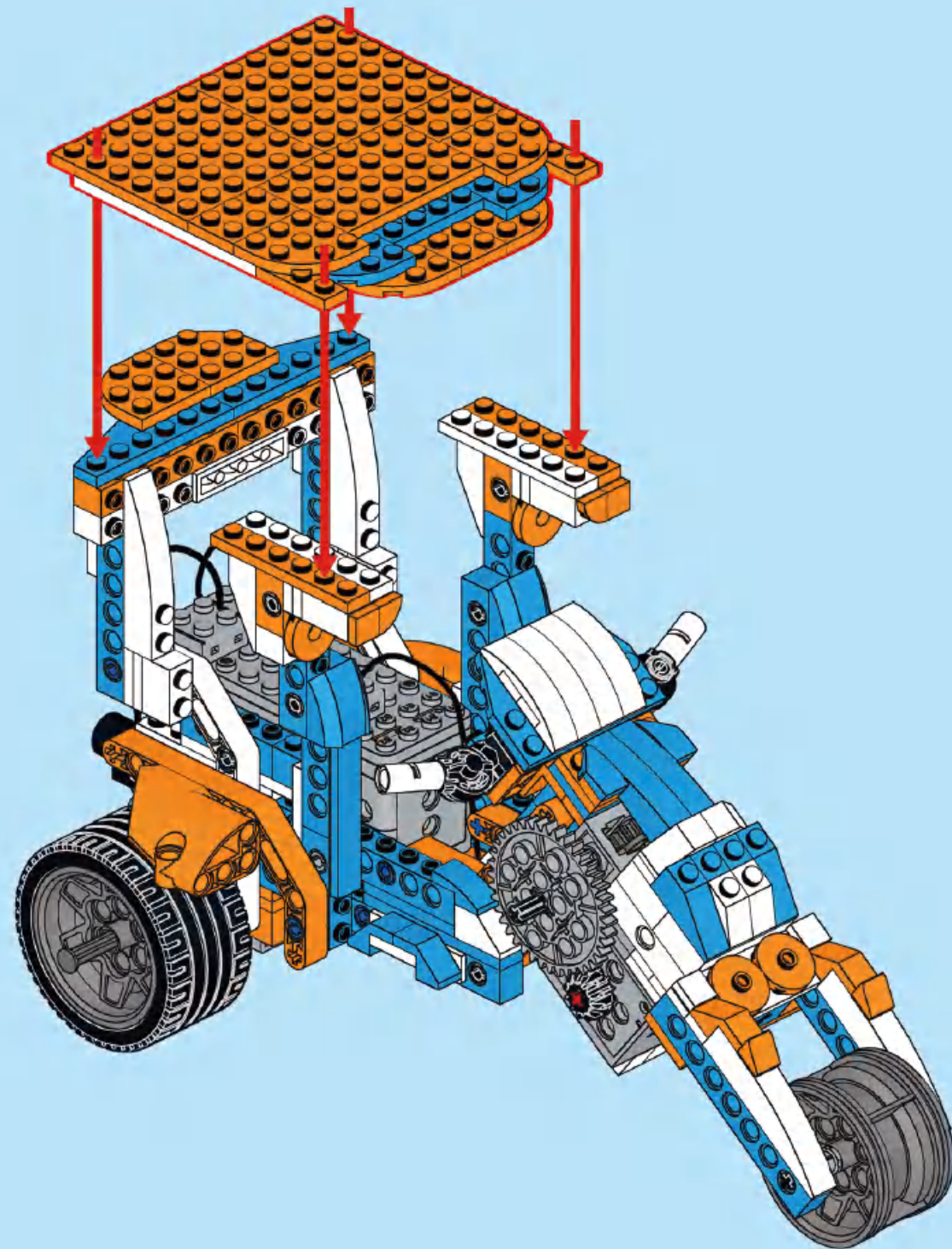
# 71



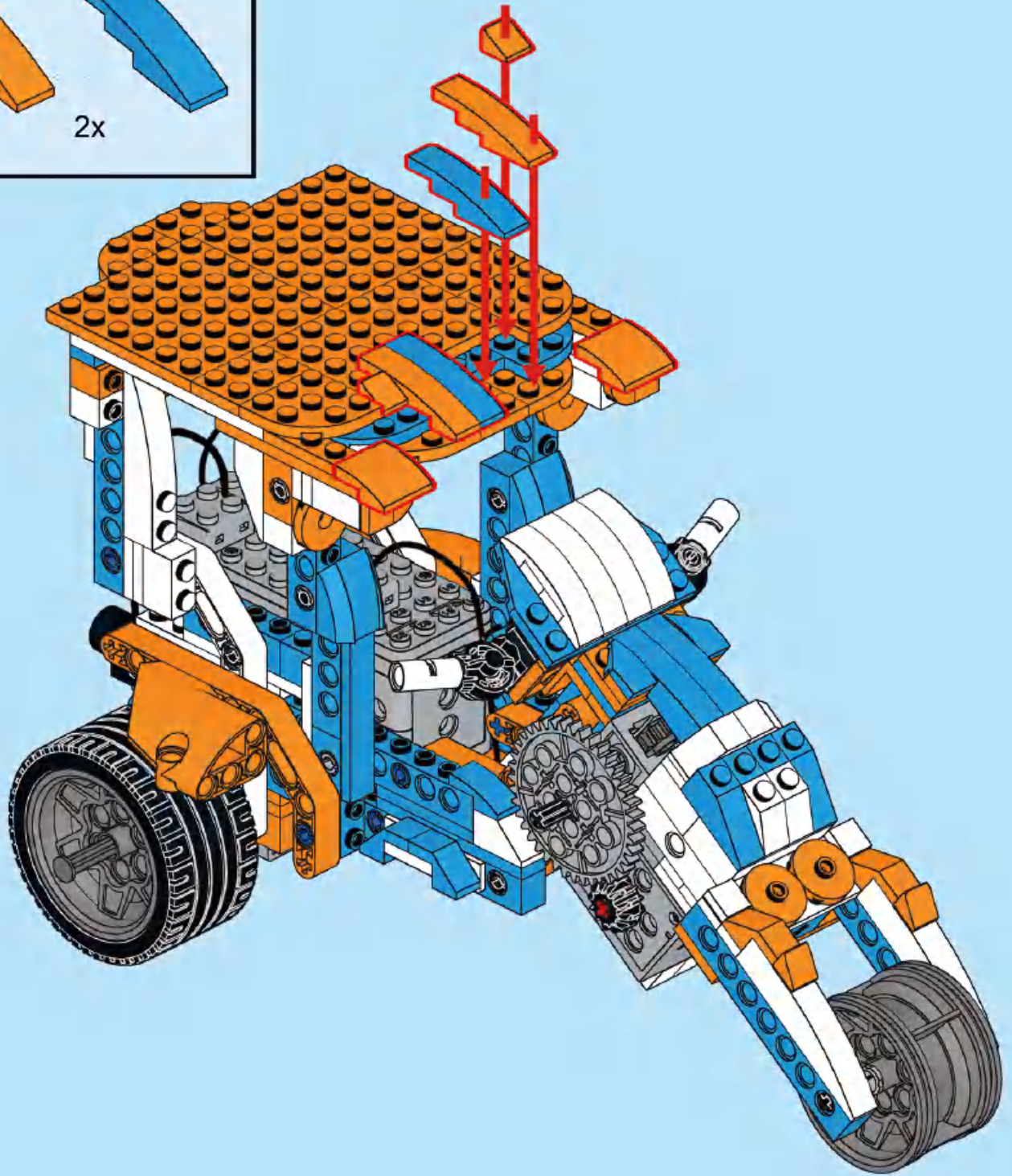
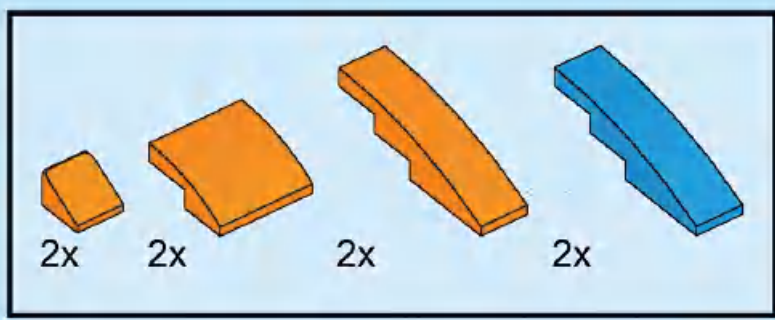
# 72







# 74





# 75

